



**EMERSON**<sup>™</sup>  
Industrial Automation



*Advanced User Guide*  
**Commander SK**

AC variable speed drive for 3  
phase induction motors from  
0.25kW to 110kW, 0.33hp to  
150hp

Part Number: 0472-0001-08  
Issue: 8



**CONTROL  
TECHNIQUES**

[www.controltechniques.com](http://www.controltechniques.com)

## General Information

The manufacturer accepts no liability for any consequences resulting from inappropriate, negligent or incorrect installation or adjustment of the optional operating parameters of the equipment or from mismatching the variable speed drive with the motor.

The contents of this guide are believed to be correct at the time of printing. In the interests of a commitment to a policy of continuous development and improvement, the manufacturer reserves the right to change the specification of the product or its performance, or the contents of the guide, without notice.

All rights reserved. No parts of this guide may be reproduced or transmitted in any form or by any means, electrical or mechanical including photocopying, recording or by an information storage or retrieval system, without permission in writing from the publisher.

## Drive software version

This product is supplied with the latest software version. If this drive is to be connected to an existing system or machine, all drive software versions should be verified to confirm the same functionality as drives of the same model already present. This may also apply to drives returned from a Control Techniques Service Centre or Repair Centre. If there is any doubt please contact the supplier of the product.

The software version of the drive can be checked by looking at Pr **11.29** and Pr **11.34**. This takes the form of xx.yy.zz where Pr **11.29** displays xx.yy and Pr **11.34** displays zz. (e.g. for software version 01.01.00, Pr **11.29** = 1.01 and Pr **11.34** displays 0).

## Environmental statement

Control Techniques is committed to minimising the environmental impacts of its manufacturing operations and of its products throughout their life cycle. To this end, we operate an Environmental Management System (EMS) which is certified to the International Standard ISO 14001. Further information on the EMS, our Environmental Policy and other relevant information is available on request, or can be found at [www.greendrives.com](http://www.greendrives.com).

The electronic variable-speed drives manufactured by Control Techniques have the potential to save energy and (through increased machine/process efficiency) reduce raw material consumption and scrap throughout their long working lifetime. In typical applications, these positive environmental effects far outweigh the negative impacts of product manufacture and end-of-life disposal.

Nevertheless, when the products eventually reach the end of their useful life, they must not be discarded but should instead be recycled by a specialist recycler of electronic equipment. Recyclers will find the products easy to dismantle into their major component parts for efficient recycling. Many parts snap together and can be separated without the use of tools, whilst other parts are secured with conventional fasteners. Virtually all parts of the product are suitable for recycling.

Product packaging is of good quality and can be re-used. Large products are packed in wooden crates, while smaller products come in strong cardboard cartons which themselves have a high recycled fibre content. If not re-used, these containers can be recycled. Polythene, used on the protective film and bags for wrapping product, can be recycled in the same way. Control Techniques' packaging strategy prefers easily-recyclable materials of low environmental impact, and regular reviews identify opportunities for improvement.

When preparing to recycle or dispose of any product or packaging, please observe local legislation and best practice.

## REACH legislation

EC Regulation 1907/2006 on the Registration, Evaluation, Authorisation and restriction of Chemicals (REACH) requires the supplier of an article to inform the recipient if it contains more than a specified proportion of any substance which is considered by the European Chemicals Agency (ECHA) to be a Substance of Very High Concern (SVHC) and is therefore listed by them as a candidate for compulsory authorisation.

For current information on how this requirement applies in relation to specific Control Techniques products, please approach your usual contact in the first instance. Control Techniques position statement can be viewed at:

<http://www.controltechniques.com/REACH>

Copyright © June 2009 Control Techniques Ltd.

Issue Number: 8

Software: 01.08.00 (Size A to D)

01.08.06 (Size 2 to 6)

---

# Contents

---

<b>1</b>	<b>Introduction</b> .....	<b>4</b>
<b>2</b>	<b>Parameter x.00</b> .....	<b>5</b>
2.1	Saving parameters .....	5
2.2	Loading default parameters .....	5
2.3	Eur/USA parameter set differences .....	5
<b>3</b>	<b>Parameter description format</b> .....	<b>6</b>
3.1	Software variable maximum term definitions .....	6
3.2	Parameter information .....	7
3.3	Key to parameter codes .....	8
3.4	Sources and destinations .....	9
3.5	Sample/update times .....	9
<b>4</b>	<b>Keypad and display</b> .....	<b>10</b>
4.1	Programming keys .....	10
4.2	Control keys .....	10
4.3	Selecting and changing parameters .....	10
<b>5</b>	<b>Serial communications</b> .....	<b>12</b>
5.1	Introduction .....	12
5.2	EIA232 to EIA485 communications .....	12
5.3	Serial communications connections .....	14
<b>6</b>	<b>CT Modbus RTU</b> .....	<b>16</b>
6.1	CT Modbus RTU specification .....	16
<b>7</b>	<b>PLC Ladder programming</b> .....	<b>24</b>
<b>8</b>	<b>CTSoft</b> .....	<b>26</b>
<b>9</b>	<b>Menu 0</b> .....	<b>30</b>
<b>10</b>	<b>Advanced parameter descriptions</b> .....	<b>33</b>
10.1	Overview .....	33
10.2	Menu 1: Speed reference selection, limits and filters .....	34
10.3	Menu 2: Ramps .....	46
10.4	Menu 3: Speed sensing thresholds and frequency input and output .....	55
10.5	Menu 4: Current control .....	61
10.6	Menu 5: Motor control .....	72
10.7	Menu 6: Drive sequencer and clock .....	84
10.8	Menu 7: Analog inputs and outputs .....	101
10.9	Menu 8: Digital inputs and outputs .....	109
10.10	Menu 9: Programmable logic, motorized pot and binary sum .....	118
10.11	Menu 10: Status logic and diagnostic information .....	128
10.12	Menu 11: General drive set-up .....	138
10.13	Menu 12: Programmable threshold and variable selector .....	152
10.14	Menu 14: PID controller .....	165
10.15	Menu 15: Solutions Module set-up .....	171
10.16	Menu 18: Application menu 1 .....	185
10.17	Menu 20: Application menu 2 .....	187
10.18	Menu 21: Second motor map .....	188

# 1 Introduction

This *Advanced User Guide* provides information on the more advanced features and parameters of Commander SK:

- Parameter types
- Keypad and display information
- Modbus RTU serial communications protocol
- PLC Ladder logic programming
- CTSOFT Windows™ based commissioning and monitoring tool
- Advanced parameter logic diagrams and full parameter descriptions
- Commander SK Solutions Module logic diagrams and parameter descriptions

## Commander SK

The Commander SK is an open loop vector AC variable speed inverter drive used to control the speed of an AC induction motor. The drive uses an open loop vector control strategy to maintain almost constant flux in the motor by dynamically adjusting the motor voltage according to the load on the motor.

The AC supply is rectified through a bridge rectifier and then smoothed across high voltage capacitors to produce a constant voltage DC bus. The DC bus is then switched through an IGBT bridge to produce AC at a variable voltage and a variable frequency. This AC output is synthesized by a pattern of on-off switching applied to the gates of the IGBTs. This method of switching the IGBTs is known as Pulse Width Modulation (PWM).

## Software structure

For the majority of applications, the Commander SK's keypad and display can be used to set up the drive through 'menu 0'. Menu 0 is structured to give an extreme ease of set-up for a simple drive but with the flexibility for more demanding applications. See the *Commander SK Getting Started Guide* for details.

For applications that require extra functionality, the advanced parameters from menu 1 through to menu 21 can be used. These advanced parameters can be programmed and adjusted using the drives keypad and display or by using CTSOFT. Also, the optional LED or LCD keypads can be used to monitor and adjust parameters.

## Options

To further enhance the functionality of the Commander SK, a number of Solutions Modules, SmartStick copying option and a LogicStick PLC ladder logic option are also available. Details of these can be found on the CD supplied with the Commander SK or at [www.controltechniques.com](http://www.controltechniques.com)

## 2 Parameter x.00

Pr x.00 (not Pr 0.00) is available in all menus and has the following functions:

- 1000 Save parameters
- 1070 Option reset

### 2.1 Saving parameters

When parameters are saved, all user save (US) parameters are saved to EEPROM within the drive. Normally Pr x.00 (not Pr 0.00) is set to 1000 and a reset command is given to initiate a parameter save. This can be achieved on the drive by setting Pr 71 to 1.00, then setting Pr 61 to 1000 and a reset command to activate a parameter save. When parameter save is complete, Pr x.00 is reset to zero by the drive. The drive must not be in the under voltage (UU) condition for a save to take place. Saving parameters can take between 400ms and several seconds depending on the number of parameter values that are different from the values already saved in EEPROM. If the power is removed from the drive during a parameter save, it is possible for the EEPROM data to be corrupted giving an EEF failure when the drive is next powered up.

### 2.2 Loading default parameters

When default parameters are loaded, the new default parameter set is automatically saved to the drive EEPROM. See Pr 29 in the *Commander SK Getting Started Guide* or Pr 11.43 in this Advanced User Guide.

### 2.3 Eur/USA parameter set differences

The following table gives the differences between the Eur and USA default parameters sets:

Pr	Description	Eur default	USA default	Voltage rating
1.06	Maximum set speed	50.0Hz	60.0Hz	All
2.08	Standard ramp voltage	750V	775V	400V
2.11	Acceleration rate	5.00/100Hz	33s/100Hz	All
2.21	Deceleration rate	10.0s/100Hz	33s/100Hz	All
5.06	Motor rated frequency	50.0Hz	60.0Hz	All
5.08	Motor rated full load rpm	1500rpm	1800rpm	All
5.09	Motor rated voltage	400V	460V	400V
5.14	Voltage mode select	Ur I	Fd	All
5.15	Low frequency voltage boost	3.0%	1.0%	All
6.04	Start/Stop logic select	0	4	All
6.12	Enable stop key	OFF (0)	On (1)	All
8.22	Terminal B4 digital input destination	Pr 6.29	Pr 6.29	All
8.23	Terminal B5 digital input destination	Pr 6.30	Pr 6.34	All
8.24	Terminal B6 digital input destination	Pr 6.32	Pr 6.31	All
11.27	Drive configuration	AI.AV	PAd	All
21.01	Motor 2 maximum set speed	50.0Hz	60.0Hz	All
21.06	Motor 2 motor rated frequency	50.0Hz	60.0Hz	All
21.08	Motor 2 motor rated full load rpm	1500rpm	1800rpm	All
21.09	Motor 2 motor rated voltage	400V	460V	400V

## 3 Parameter description format

### 3.1 Software variable maximum term definitions

Table 3-1

Maximum	Definition
<b>FREQ_MAX</b> [1500.0Hz]	<b>Maximum frequency reference</b> FREQ_MAX = Pr <b>1.06</b> (If the second motor map is selected Pr <b>21.01</b> is used instead of Pr <b>1.06</b> )
<b>RATED_CURRENT_MAX</b> [999.9A]	<b>Maximum motor rated current</b> RATED_CURRENT_MAX ≤ 1.36 x Rated drive current On drives that offer dual rating, the rated current can be increased above the rated drive current up to a level not exceeding 1.36 x drive rated current. The actual level varies from one drive size to another.
<b>DRIVE_CURRENT_MAX</b> [999.9A]	<b>Maximum drive current</b> The maximum drive current is the current at the over current trip level and is given by: DRIVE_CURRENT_MAX = rated drive current x 2
<b>MOTOR1_CURRENT_LIMIT_MAX</b> [999.9%]	<b>Maximum current limit settings for motor map 1</b> This maximum current limit setting is the maximum applied to the current limit parameters in motor map 1. See introduction to section 10.5 <i>Menu 4: Current control</i> for the definition.
<b>MOTOR2_CURRENT_LIMIT_MAX</b> [999.9%]	<b>Maximum current limit settings for motor map 2</b> This maximum current limit setting is the maximum applied to the current limit parameters in motor map 2. See introduction to section 10.5 <i>Menu 4: Current control</i> for the definition.
<b>TORQUE_PROD_CURRENT_MAX</b> [999.9%]	<b>Maximum torque producing current</b> This is used as a maximum for torque and torque producing current parameters. It is MOTOR1_CURRENT_LIMIT_MAX or MOTOR2_CURRENT_LIMIT_MAX depending on which motor map is currently active.
<b>USER_CURRENT_MAX</b> [999.9%]	<b>Current parameter limit selected by the user</b> The user can select a maximum for Pr <b>4.08</b> (torque reference) and Pr <b>4.20</b> (percentage load) to give suitable scaling for analog I/O with Pr <b>4.24</b> . This maximum is subject to a limit of CURRENT_LIMIT_MAX. USER_CURRENT_MAX = Pr <b>4.24</b>
<b>AC_VOLTAGE_SET_MAX</b> [690V]	<b>Maximum output voltage set-point</b> Defines the maximum motor voltage that can be selected. 110V drives: 240V 200V drives: 240V 400V drives: 480V 575V drives: 575V 690V drives: 690V
<b>AC_VOLTAGE_MAX</b> [886V]	<b>Maximum AC output voltage</b> This maximum has been chosen to allow for maximum AC voltage that can be produced by the drive including trapezoidal operation: AC_VOLTAGE_MAX = 0.7446 x DC_VOLTAGE_MAX 110V drives: 309V 200V drives: 309V 400V drives: 618V 575V drives: 741V 690V drives: 886V
<b>DC_VOLTAGE_SET_MAX</b> [1150V]	<b>Maximum DC voltage set-point</b> 110V rating drive: 0 to 400V 200V rating drive: 0 to 400V 400V rating drive: 0 to 800V 575V rating drive: 0 to 950V 690V rating drive: 0 to 1150V
<b>DC_VOLTAGE_MAX</b> [1190V]	<b>Maximum DC bus voltage</b> The maximum measurable DC bus voltage. 110V drives: 415V 200V drives: 415V 400V drives: 830V 575V drives: 995V 690V drives: 1190V
<b>POWER_MAX</b> [999.9kW]	<b>Maximum power in kW</b> The maximum power has been chosen to allow for the maximum power that can be output by the drive with maximum AC output voltage, maximum controlled current and unity power factor. Therefore POWER_MAX = √3 x AC_VOLTAGE_MAX x RATED_CURRENT_MAX x 2

The values given in square brackets indicate the maximum value allowed for the variable maximum. The term 'rated drive current' is the value used by the software as rated current, which is not always the same as the drive rating specified in Pr **11.32** (see section 10.5 *Menu 4: Current control*).

## 3.2 Parameter information

### 3.2.1 Parameter x.00

Pr **x.00** (not Pr **0.00**) in every menu is used for storing parameters. The range of this parameter is 4000 and the special codes used are as follows:

- 1000** Save parameters
- 1070** Option reset

### 3.2.2 Parameter types

There are two fundamental types of parameters in the drive, read only (RO) and read/write (RW). The read only parameters cannot be changed by the user and are there to give the user useful information about the state of the drive. Read/write parameters are for the user to set up the way in which the drive operates.

Parameters can be further broken down into Bit parameters and Non-bit parameters. Bit parameters are two state only (0 or 1) and if RW are used as switches or two state input variables to the drive logic, or if RO indicate various drive conditions which are either true (1) or false (0). Non-bit parameters have more than two values the range of each being given in the following descriptions.

In the basic parameter set, some parameters are represented as strings rather than numeric values which give a more informative indication of the parameter setting.

Since the parameters in the basic parameter set are copies of extended parameters, the strings are indicated as well as the numeric value. Setting-up via the serial interface requires numeric data.

Most parameters when being adjusted take immediate effect, but destination and source parameters do not. Using these parameter values while they are being adjusted could cause a malfunction in the operation of the drive if an intermediary value were taken during the adjustment. For the new value of one of these parameters to take effect a 'Drive Reset' must be carried out (see section 3.2.4 *Drive reset* ).

Any changes made to parameters over the serial interface are not stored in the drives EEPROM until a manual store is initiated.

### 3.2.3 32 bit parameters

Menu	32 bit parameters				
Menu 4	Pr 4.01	Pr 4.02	Pr 4.17		
Menu 20	Pr 20.21	Pr 20.22	Pr 20.23	Pr 20.24	Pr 20.25
	Pr 20.26	Pr 20.27	Pr 20.28	Pr 20.29	Pr 20.30

#### NOTE

Menu 20 parameters cannot be displayed on the drive's LED display. Source and destination parameters cannot be set to 32 bit parameters.

Parameters Pr **4.01**, Pr **4.02** and Pr **4.17** are special cases and can be used as a source. All routing within the drive is 16 bit.

If a counter in SyPTLite has a 32 bit output and this output is routed to a drive parameter, for example Pr **1.21**, when the count reaches the set range of Pr **1.21**, the value in Pr **1.21** will be frozen until the counter value is reset or falls below the set range.

### 3.2.4 Drive reset

A drive reset is required for a number of reasons:

- To reset the drive from a tripped state
- To initiate loading of default parameters
- To implement a change in the value of certain parameters
- To initiate the saving of parameters in EEPROM

The later two of these can be done while the drive is running.

The drive can be reset in one of four ways:

1. The drive will be reset with a 0 to 1 transition of the enable input when the drive is tripped, such that a dedicated reset terminal is not required.
2. The drive will be reset when a 0 to 1 transition of the Drive Reset parameter Pr **10.33**. This parameter is provided for control by a programmable digital input such that a terminal can be used to reset the drive.
3. The Stop/Reset key. If the drive is not in keypad mode and the 'always stop' parameter is not set, then the key has a drive reset function only. In keypad mode or if the 'always stop' parameter is set, a drive reset can be done while the drive is running by holding the Run key while the Stop/Reset key is activated. When the drive is not running the Stop/Reset key will always reset the drive.
4. By the serial interface. This drive reset is triggered by a value of 100 being written to the User trip parameter Pr **10.38**.

### 3.2.5 Storing drive parameters

When the keypad is used to edit a parameter, the parameter is stored when the mode key is pressed after adjustment has been made.

When using the serial interface, parameters are stored by setting Pr **x.00** (not Pr **0.00**) to a value of 1000 and performing a 'Drive reset'. Because a 'Drive reset' causes the values of certain parameters to be implemented, storing parameters has the effect of implementing all new values as the store takes place.

### 3.3 Key to parameter codes

In the following sections descriptions are given for the advanced parameter set. With each parameter the following information block is given.

<b>5.11</b>	<b>Number of motor poles</b>															
<b>Coding</b>	Bit	SP	FI	DE	Txt	VM	DP	ND	RA	NC	NV	PT	US	RW	BU	PS
					1								1	1	1	
<b>Range</b>	Auto(0), 2P(1), 4P(2), 6P(3), 8P(4)															
<b>Default</b>	Auto(0)															
<b>Second motor parameter</b>	Pr 21.11															
<b>Update rate</b>	Background															

The top row gives the menu:parameter number and the parameter name. The other rows give the following information.

#### 3.3.1 Coding

The coding defines the attributes of the parameter as follows.

Coding	Attribute
<b>Bit</b>	1 bit parameter
<b>SP</b>	Spare: not used
<b>FI</b>	Filtered: some parameters which can have rapidly changing values are filtered when displayed on the drive keypad for easy viewing.
<b>DE</b>	Destination: indicates that this parameter can be a destination parameter.
<b>Txt</b>	Text: the parameter uses text strings instead of numbers.
<b>VM</b>	Variable maximum: the maximum of this parameter can vary.
<b>DP</b>	Decimal place: indicates the number of decimal places used by this parameter.
<b>ND</b>	No default: when defaults are loaded (except when the drive is manufactured or on EEPROM failure) this parameter is not modified.
<b>RA</b>	Rating dependant: this parameter is likely to have different values and ranges with drives of different voltage and current ratings. These parameters are not transferred by the SmartStick when the rating of the destination drive is different from the source drive.
<b>NC</b>	Not copied: not transferred to or from the SmartStick during parameter copying.
<b>NV</b>	Not visible: not visible on the keypad.
<b>PT</b>	Protected: cannot be used as a destination.
<b>US</b>	User save: saved in drive EEPROM when the user initiates a parameter save.
<b>RW</b>	Read/write: can be written by the user.
<b>BU</b>	Bit default one/unsigned: Bit parameters with this flag set to one have a default of one (all other bit parameters have a default of zero. Non-bit parameters are unipolar if this flag is one.
<b>PS</b>	Power-down save: automatically saved in drive EEPROM at power-down.

#### 3.3.2 Term definitions

##### Range

This gives the range of the parameter and the values it can be adjusted to.

##### Default

The default values given are the standard drive defaults.

##### Second motor parameter

Some parameters have an equivalent second motor map value that can be used as an alternative when a second motor is selected with Pr 11.45. Menu 21 contains all the second motor map parameters.

##### Update rate

Defines the rate at which the parameter data is written by the drive or read and acted upon by the drive. Where background update rate is specified, the update time depends on the drive processor load. Generally the update time is between 10ms and 100ms, however, the update time is significantly extended when loading defaults, transferring data to/from a SmartStick, or transferring blocks of parameters to/from the drive via the drive serial communications port.



## 3.4 Sources and destinations

### 3.4.1 Sources

Some functions have source parameters, i.e. drive outputs, PID controller etc. The source parameter range is Pr **0.00** to Pr **21.51**.

1. If the source parameter does not exist the input is taken as zero.
2. The input is given by (source value x 100%) / source parameter maximum.

### 3.4.2 Destinations

Some functions have destination parameters, i.e. drive inputs, etc. The destination parameter range is Pr **0.00** to Pr **21.51**.

1. If the destination parameter does not exist then the output value has no effect.
2. If the destination parameter is protected then the output value has no effect.
3. If the function output is a bit value (i.e. a digital input) the destination value is either 0 or 1 depending on the state of the function output. If the function output is not a bit value (i.e. analog input) the destination value is given by (function output x destination parameter maximum) / 100% rounded down. Pr **1.36** and Pr **1.37** are a special case. The scaling shown in the description of Pr **1.10** is used when any non-bit type quantity is routed to these parameters.
4. If more than one destination selector is routed to the same destination, the value of the destination parameter is undefined. The drive checks for this condition where the destinations are defined in any menu except menu 15. If a conflict occurs a dEst trip occurs that cannot be reset until the conflict is resolved.

#### NOTE

Setting a source or destination parameter to Pr **0.00** will disable the parameter.

### 3.4.3 Sources and destinations

1. Bit and non-bit parameters may be connected to each other as sources or destinations. The maximum for bit parameters is taken as one.
2. All new source and destination routing only changes to new set-up locations when the drive is reset.
3. When a destination is changed, the old destination is written to zero, unless the destination change is the result of loading defaults or transferring parameters from a SmartStick. When defaults are loaded the old destination is set to its default value.
4. Cannot select any of the 32 bit parameters.

### 3.4.4 Parameters actioned on exit of edit mode and on drive reset

Some parameters (Pr **6.04**, Pr **11.27**, Pr **11.42**, Pr **11.43** and Pr **12.41**) are updated on exit from mode or on a drive reset. Serial access to these parameters must be followed by a reset. Pr **6.04**, Pr **11.27** and Pr **12.41** are only actioned on a reset when the value has changed.

## 3.5 Sample/update times

The sample/update times shown in the control terminal specification within the *Commander SK Technical Guide* are the default sample/update times for the default terminal set-up. The sample/update time depends on the destination/source parameter of the digital or analog inputs/outputs.

These sample/update times are the sample or update times for the control microprocessor. The actual sample/update time maybe slightly longer due to the design of the Commander SK.

### 3.5.1 Task routine times

At the beginning of each menu, there is a single line parameter description and this contains the update rate for each parameter. This time signifies the task routine time in the software that the parameter is updated on. For a background task, the time depends on processor loading i.e. what functions the drive is carrying out and what advanced menus are being used.

Update rate	Microprocessor update time	Comments
2ms	2ms	Updated every 2ms
5ms	5ms	Updated every 5ms
21ms	21ms	Updated every 21ms
128ms	128ms	Updated every 128ms
Reset	N/A	Destination/source parameter changed on a Reset
B	Background	Updated as a background task. Update rate depends on processor loading.
BR	Background read	
BW	Background write	
Edit mode exit	N/A	Parameter change actioned on exit of edit mode. Parameter change automation saved.

From practical tests carried out:

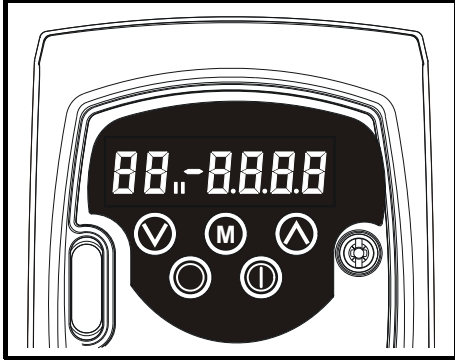
Condition	Minimum	Maximum	Average
Time for drive to respond to a run command	4.1ms	5.62ms	5.02ms
Time for the drive to respond to a stop command	2.82ms	3.94ms	3.31ms
Time for the drive to respond to a step change in analog input voltage			7.93ms

# 4 Keypad and display

The keypad and display are used for the following:

- Displaying the operating status of the drive
- Displaying a fault or trip code
- Reading and changing parameter values
- Stopping, starting and resetting the drive

**Figure 4-1 Keypad and display**



■ on the display indicates if motor map 1 or 2 is selected.

## 4.1 Programming keys

The **M** **MODE** key is used to change the mode of operation of the drive.

The **A** **UP** and **V** **DOWN** keys are used to select parameters and edit their values. In keypad mode, they are used to increase and decrease the speed of the motor.

## 4.2 Control keys

The **I** **START** key is used to start the drive in keypad mode.

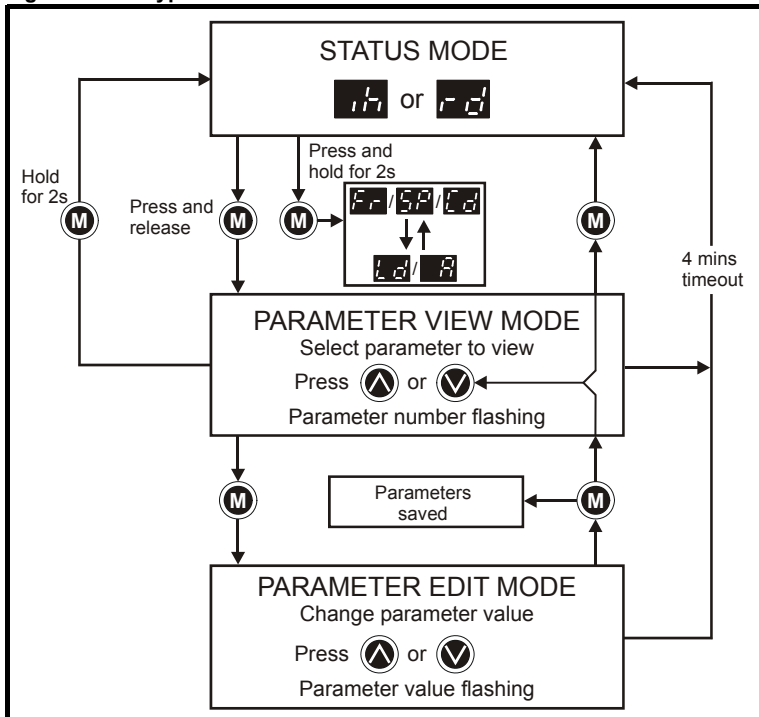
The **O** **STOP/RESET** key is used to stop and reset the drive in keypad mode. It can also be used to reset the drive in terminal mode.

## 4.3 Selecting and changing parameters

### NOTE

This procedure is written from the first power up of the drive and assumes no terminals have been connected, no parameters have been changed and no security has been set.

**Figure 4-2 Keypad control**



When in Status mode, pressing and holding the **M** **MODE** key for 2 seconds will change the display from displaying a speed indication to displaying

load indication and vice versa.

Pressing and releasing the **MODE** key will change the display from status mode to parameter view mode. In parameter view mode, the left hand display flashes the parameter number and the right hand display shows the value of that parameter.

Pressing and releasing the **MODE** key again will change the display from parameter view mode to parameter edit mode. In parameter edit mode, the right hand display flashes the value in the parameter being shown in the left hand display.

Pressing the **MODE** key in parameter edit mode will return the drive to the parameter view mode. If the **MODE** key is pressed again then the drive will return to status mode, but if either of the **UP** or **DOWN** keys are pressed to change the parameter being viewed before the **MODE** key is pressed, pressing the **MODE** key will change the display to the parameter edit mode again. This allows the user to very easily change between parameter view and edit modes while commissioning the drive.

### Status Modes

Left hand display	Status	Explanation
	Drive ready	The drive is enabled and ready for a start command. The output bridge is inactive.
	Drive inhibited	The drive is inhibited because there is no enable command, or a coast to stop is in progress or the drive is inhibited during a trip reset.
	Drive has tripped	The drive has tripped. The trip code will be displayed in the right hand display.
	DC injection braking	DC injection braking current is being applied to the motor.
	Mains loss	When the drive is performing a mains loss stop or ride through.

### Speed Indications

Display Mnemonic	Explanation
	Drive output frequency in Hz
	Motor speed in rpm
	Machine speed in customer define units

### Load indications

Display Mnemonic	Explanation
	Load current as a % of motor rated load current
	Drive output current per phase in Amps

The operation of the drives keypad and display is explained in the *Commander SK Getting Started Guide*.

When in parameter edit mode, the **UP** and **DOWN** keys are used to change parameter values. This will increase or decrease the parameter value by the minimum unit value on display.

To allow values to be changed more quickly, it is possible to press the **MODE** and **UP** or the **MODE** and **DOWN** keys together to allow either 1000's of units, 100's of units, 10's of units or units to be adjusted.

Example:

It is required that a deceleration ramp of 2500 seconds is required.

Select Pr **04** using the normal procedure.

- Press the **MODE** key to enter parameter edit mode



- Press the **MODE** and **UP** keys together



- Press the **UP** key to adjust the 100's of units



- Press the **MODE** and **UP** keys together again



- Press the **DOWN** key once to adjust the 10's of units



- Press the **MODE** key to go back to parameter view mode

- Press the **MODE** key again to go back to status mode

# 5 Serial communications

## 5.1 Introduction

- 2-wire EIA RS485 via a RJ45 connector
- Modbus RTU protocol supported (see Chapter 6 *CT Modbus RTU* on page 16 for details).

A serial communications link enables one or more drives to be used in a system controlled by a host controller such as a PLC (Programmable Logic Controller) or computer. The communications link uses the EIA, also known as RS485, as standard for the hardware interface. The EIA422 (RS422) hardware interface is also supported.

The Commander SK has a standard 2-wire EIA485 half-duplex interface that enables all drive set-up, operation and monitoring to be accomplished if required. Therefore it is possible to control the drive entirely through the EIA485 interface without the need for other control cabling etc.

A host controller can operate up to 32 EIA485 devices with the use of one line buffer. Further line buffers will increase this number, if necessary. Each transmitter/receiver within the Commander SK loads the EIA485 lines by 2 unit loads (with any termination and pull-up and pull-down resistors disconnected). This means that up to 16 drives can be connected in a single group to one line buffer. When additional line buffers are used, up to 247 drives can be operated by a host controller.

## 5.2 EIA232 to EIA485 communications

An external EIA232 hardware interface such as a PC can be used with a suitable converter. This converter must have the hardware and software support to tri-state the transmit buffer following the message transmission. Otherwise, the Commander SK EIA485 transmitter will not be successful in transmitting a reply as the host transmitter will cause contention on the 2-wire interface.

### Examples of EIA232 to EIA485 converters (one to one)

- CT Comms cable (CT part number 4500-0087)
- USB Comms cable (CT part number 4500-0096)
- Amplicon 485Fi

CT Comms cable is specifically designed to convert EIA232 to EIA485 with Control Techniques products.

#### NOTE

These converters are for one to one connection between a PC and the Commander SK drive, they do not have multi-drop capability.

#### NOTE

The CT Comms cable is an isolated converter. It has reinforced insulation as defined in IEC60950 for altitudes up to 3,000 metres and has been designed to connect the Commander SK to equipment such as lap-top computers.

### 5.2.1 CT Comms cable

CT Comms cable enables the use of serial communications with the Commander SK drive using a software package such as CTSoft. This allows access to all of the drives parameters and advanced function menus.

CT Comms cable is only intended for the purpose of commissioning a drive. Therefore:

- It is not suitable for permanent installation
- It does not provide connectivity to an EIA485 based network

When this converter is used with a Commander SK and a true EIA232 host/master such as a PC, then no external power supply is required. This is because the converter sources its power from both the drive and the EIA232 port. However, if the converter is attached to a host/master device that does not have a standard EIA232 port, then an external power supply may be required.

CT Comms cable does not directly use any of the hand shaking functions that are available on a standard EIA232 port, but does utilise 2 of the hand shaking pins (pins 4 and 7) as a source of power. If these signals are not available, then a +10V supply should be applied to pins 4 and 7 with respect to pin 5 of the 9-way D-type connector.

**Table 5-1 CT Comms cable 9 way D-Type pin functions**

EIA232 9-way D-type connector	Pin function
1	Not connected
2	TX
3	RX
4	DTR
5	GND
6	Not connected
7	RTS
8	Not connected
9	Not connected

The following table shows the pin functions for the RJ45 connector on the Commander SK control PCB:

**Table 5-2 Commander SK RJ45 pin functions**

EIA485 RJ45 connector	Pin function
1	Connection for built in EIA485 termination resistor (120Ω). Connect to pin 8 if termination is required *
2	RXTX (2-wire EIA485 +)
3	0V
4	+24V (±15%) 100mA supply for options
5	Not connected
6	TX Enable
7	RXTX\ (2-wire EIA485 -)
8	Connection for built in EIA485 termination resistor (120Ω). Connect to pin 1 if termination is required *

**NOTE**

The TX Enable\ is a 0 to +5V output signal from the drive that can be used to control the buffers on an external serial communications converter.

The following table shows the pin functions for the RJ45 connector on the Commander SK Keypad Remote

**Table 5-3 Commander SK Keypad Remote RJ45 pin functions**

EIA485 RJ45 connector	Pin function
1	Connection for built in EIA485 termination resistor (120Ω). Connect to pin 8 if termination is required *
2	RXTX (2-wire EIA485 +)
3	0V
4	+24 supply to keypad
5	0V
6	Not connected
7	RXTX\ (2-wire EIA485 -)
8	Connection for built in EIA485 termination resistor (120Ω). Connect to pin 1 if termination is required *

\* See Chapter 5.2.3 *Terminating resistors* on page 14 for information on terminating resistors.

The following table shows the pin functions for the RJ45 connector on the SM-Keypad Plus:

**Table 5-4 SM-Keypad Plus RJ45 pin functions**

EIA485 RJ45 connector	Pin function
1	Not connected
2	RXTX (2-wire EIA485 +)
3	0V
4	+24V supply to keypad
5	0V
6	TX Enable
7	RXTX\ (2-wire EIA485 -)
8	Not connected

**NOTE**

When using CT Comms cable, the available baud rate is limited to 19.2kbaud.

## 5.2.2 Multi-drop converters


Multi-drop converters are available from the following suppliers:

- Amplicon Magic 485F25 or Magic 485F9  
(485F25 refers to a 25-way D-type connector and 485F9 refers to a 9-way D-type connector)  
www.amplicon.co.uk  
E-mail: support@amplicon.co.uk
- Westermo MA44  
www.westermo.dircon.co.uk  
E-mail: sales@westermo.co.uk

### 5.2.3 Terminating resistors

When using either of the above converters, or any other suitable converter with Commander SK, it is recommended that no terminating resistors be connected on to the network. This applies to any of the drives on the network and also any converter used. It may be necessary to disable the terminating resistor within the converter depending on which type is used. The information on how to disable the terminating resistor will normally be contained in the user information supplied with the converter. Terminating resistors are of little or no value when used on EIA485 networks operating at or below 38.4kbaud.

### 5.2.4 Isolation of the communications port

 <b>WARNING</b>	<p>When using the communications port with a personal computer or centralised controller e.g. PLC, an isolation device must be included with rated voltage at least equal to the drive supply voltage. Ensure that the correct fuses are installed at the drive input, and that the drive is connected to the correct supply voltage.</p> <p>If a serial communications converter other than the CT Comms cable is used to be connected to other circuits classified as Safety Extra Low Voltage (SELV) (e.g. to a personal computer), a safety isolating barrier must be included to maintain the SELV classification.</p>
--	---

### 5.2.5 Isolation devices

Isolation devices are available from the following suppliers:

- OP232/B1 Isolator  
www.scimar.co.uk  
E-mail: sales@scimar.co.uk
- 232SPM14 Isolator - 4 channel
- 95POP2 Isolator - 2 channel  
www.bb-elec.com  
www.bb-europe.com

**NOTE**

CT Comms cable is also isolated (CT part number 4500-0087)

**NOTE**

For users of Commander SE, the serial link for the Commander SK is identical to that of the Commander SE.

## 5.3 Serial communications connections

If more than one drive is to be connected to a serial link, make the connections as shown in Figure 5-1. (The network should be a daisy chain arrangement and not a star arrangement, although short stubs are allowed.)

Pin 4 of the RJ45 connector (+24V) can be connected together through the RJ45 cables, but there is no power sharing mechanism between drives and therefore the maximum power available is the same as for a single drive. If pin 4 is not linked to the other drives on the network and has an individual load, then the maximum power (100mA) can be taken from pin 4 of each drive.

The serial communications cable must be shielded. The shields must be connected as shown in Figure 5-1.

**NOTE**

A data communications cable should not be run parallel to any power cables, especially ones that connect the drive to motors. If parallel runs are unavoidable, ensure a minimum spacing of 300mm (12in.) between the communications cable and the power cables.

**NOTE**

Cables crossing one another at right-angles are unlikely to give trouble. The maximum cable length for a EIA485 link is 1,200 metres (4,000 feet).

**NOTE**

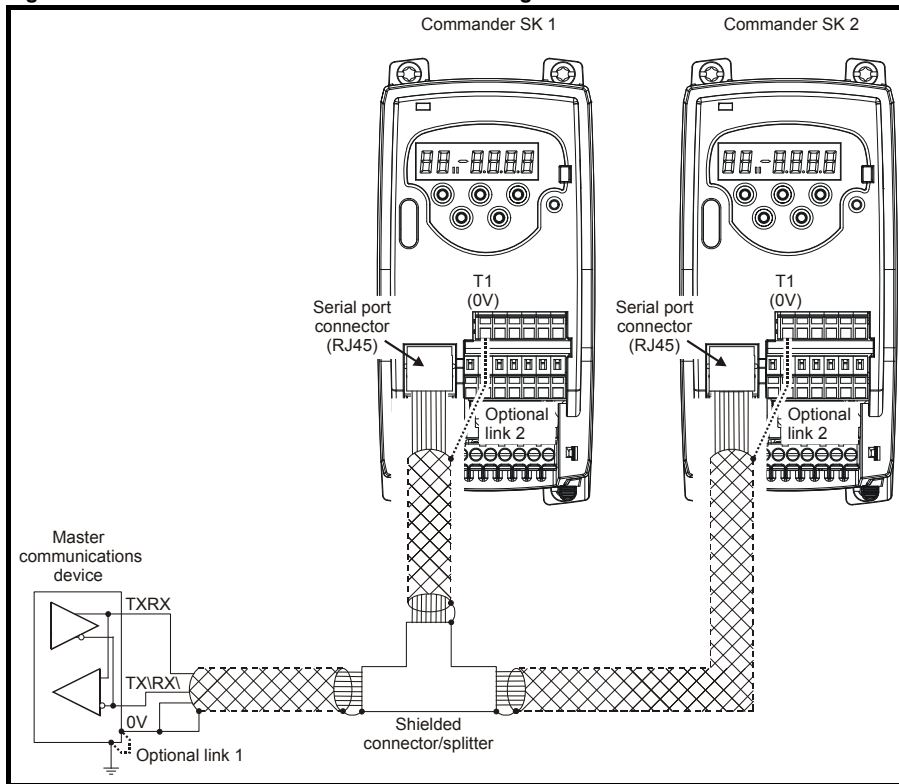
If the serial communications cable is longer than 30 metres (100ft), the following must be adhered to:

- Shielded cable must be used  
and either
  - Do not connect the drive 0V to ground at the drive  
or
  - Provide isolation from ground at remote / master communications device

**NOTE**

If more than one drive is connected to a host computer/PLC etc. each drive must have an unique serial address (see Pr 11.23 on page 139). Any number in the permitted range 0 to 247 may be used but addresses with zero in them should not be used as these are used in drive group addressing.

**Figure 5-1 Serial communications connection diagram**



Cable shown is shielded, 8 core, twisted pair, one to one, RJ45 to RJ45 standard patch cable with shielded RJ45 connectors/splitters.

**Optional link 1**

Not required if master communications device is galvanically isolated

**Optional link 2**

In the event of noise problems, it may be helpful to connect the shield of the cable to 0V at the drive.

**T-Bar connector/splitter**

Unshielded and shielded T-bar connector/splitters are available from the following suppliers:

**Unshielded**

Part number: CNX3A02KNW  
[www.insight.com](http://www.insight.com)

Part number: 34011  
 UTP Y adaptor (unshielded twisted pair)  
[www.lindy.co.uk](http://www.lindy.co.uk)

RJ45 female to 2 x female  
[www.dttuk.co.uk/connectors-and-components-modular.htm](http://www.dttuk.co.uk/connectors-and-components-modular.htm)

**Shielded**

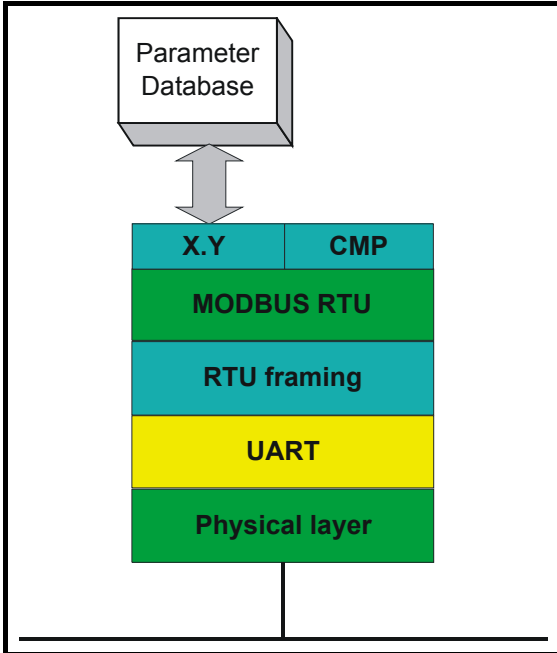
Part number: 34001  
 STP Y adaptor (shielded twisted pair)  
[www.lindy.co.uk](http://www.lindy.co.uk)  
 RJ45 connector/splitter (CT part number 3471-0004)

# 6 CT Modbus RTU

## 6.1 CT Modbus RTU specification

This section describes the adaptation of the MODBUS RTU protocol offered on Control Techniques' products. The portable software class which implements this protocol is also defined.

MODBUS RTU is a master slave system with half-duplex message exchange. The Control Techniques (CT) implementation supports the core function codes to read and write registers. A scheme to map between MODBUS registers and CT parameters is defined. The CT implementation also defines a 32bit extension to the standard 16bit register data format.



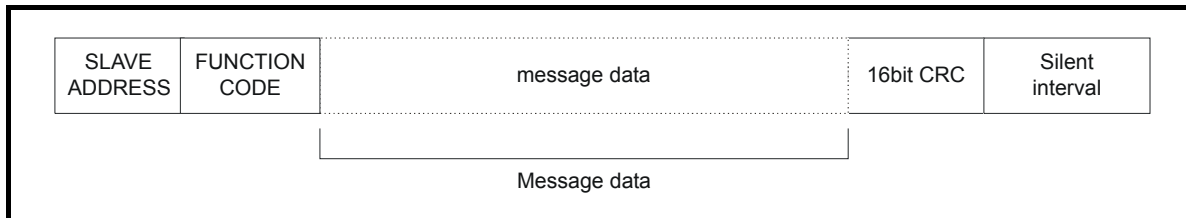
### 6.1.1 MODBUS RTU

#### Physical layer

Attribute	Description
Normal physical layer for multi-drop operation	RS485 2 wire
Bit stream	Standard UART asynchronous symbols with Non Return to Zero (NRZ)
Symbol	Each symbol consists of:- 1 start bit 8 data bits (transmitted least significant bit first) 2 stop bits
Baud rates	2400,4800, 9600, 19200, 38400

#### RTU framing

The frame has the following basic format



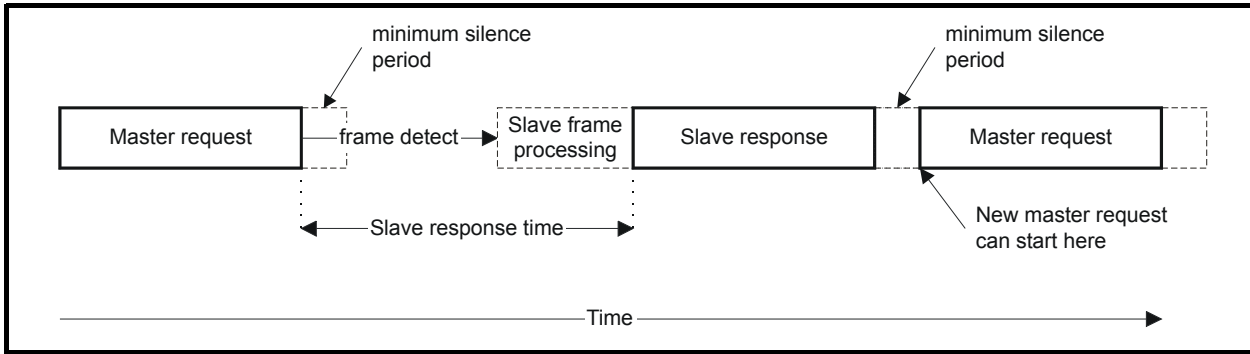
The frame is terminated with a minimum silent period of 3.5 character times (for example, at 19200 baud the minimum silent period is 2ms). Nodes use the terminating silence period to detect the end of frame and begin frame processing. All frames must therefore be transmitted as a continuous stream without any gaps greater or equal to the silence period. If an erroneous gap is inserted then receiving nodes may start frame processing early in which case the CRC will fail and the frame will be discarded.

MODBUS RTU is a master slave system. All master requests, except broadcast requests, will lead to a response from an individual slave. The slave will respond (i.e. start transmitting the response) within the quoted maximum slave response time (this time is quoted in the data sheet for all Control Techniques products). The minimum slave response time is also quoted but will never be less than the minimum silent period defined by 3.5 character times.

If the master request was a broadcast request then the master may transmit a new request once the maximum slave response time has expired.



The master must implement a message time out to handle transmission errors. This time out period must be set to the maximum slave response time + transmission time for the response.



### 6.1.2 Slave address

The first byte of the frame is the slave node address. Valid slave node addresses are 1 through 247 decimal. In the master request this byte indicates the target slave node; in the slave response this byte indicates the address of the slave sending the response.

#### Global addressing

Address zero addresses all slave nodes on the network. Slave nodes suppress the response messages for broadcast requests.

### 6.1.3 MODBUS registers

The MODBUS register address range is 16bit (65536 registers) which at the protocol level is represented by indexes 0 through 65535.

#### PLC registers

Modicon PLCs typically define 4 register 'files' each containing 65536 registers. Traditionally, the registers are referenced 1 through 65536 rather than 0 through 65535. The register address is therefore decremented on the master device before passing to the protocol.

File type	Description
1	Read only bits
2	Read / write bits
3	Read only 16bit register
4	Read / write 16bit register

The register file type code is NOT transmitted by MODBUS and all register files can be considered to map onto a single register address space.

All parameters in the drive are holding registers.

#### CT parameter mapping

All CT products are parameterized using the menu.param notation. Indexes 'menu' and 'param' are in the range 0 through 99. The menu.param is mapped into the MODBUS register space as menu\*100 + param.

To correctly map the parameters at the application layer, the slave device increments the received register address. The consequence of this behaviour is that Pr 0.00 cannot be accessed.

CT parameter	MODBUS PLC register	Register address (protocol level)	Comments
X.Y	40000 + X x 100 + Y	X x 100 + Y - 1	Pr 0.00 cannot be accessed
<b>Examples:</b>			
Pr 1.02	40102	101	
Pr 1.00	40100	99	
Pr 0.01	40001	0	

#### Data types

The MODBUS protocol specification defines registers as 16bit signed integers. All CT devices support this data size.

Refer to the section 6.1.8 *Extended data types* on page 20 for detail on accessing 32bit register data.

### 6.1.4 Data consistency

All CT devices support a minimum data consistency of one parameter (16bit or 32bit data). Some devices support consistency for a complete multiple register transaction.

### 6.1.5 Data encoding

MODBUS RTU uses a 'big-endian' representation for addresses and data items (except the CRC, which is 'little-endian'). This means that when a numerical quantity larger than a single byte is transmitted, the MOST significant byte is sent first. So for example

16 - bits 0x1234 would be 0x12 0x34

32 - bits 0x12345678L would be 0x12 0x34 0x56 0x78

### 6.1.6 Function codes

The function code determines the context and format of the message data. Bit 7 of the function code is used in the slave response to indicate an exception.

The following function codes are supported:

Code	Description
3	Read multiple 16bit registers
6	Write single register
16	Write multiple 16bit registers
23	Read and write multiple 16bit registers

### FC03 Read multiple

Read a contiguous array of registers. The slave imposes an upper limit on the number of registers, which can be read. If this is exceeded the slave will issue an exception code 2.

**Table 6-1 Master request**

Byte	Description
0	Slave destination node address 1 through 247, 0 is global
1	Function code 0x03
2	Start register address MSB
3	Start register address LSB
4	Number of 16bit registers MSB
5	Number of 16bit registers LSB
6	CRC LSB
7	CRC MSB

**Table 6-2 Slave response**

Byte	Description
0	Slave source node address
1	Function code 0x03
2	Length of register data in read block (in bytes)
3	Register data 0 MSB
4	Register data 0 LSB
3+byte count	CRC LSB
4+byte count	CRC MSB

### FC6 Write single register

Writes a value to a single 16bit register. The normal response is an echo of the request, returned after the register contents have been written. The register address can correspond to a 32bit parameter but only 16 bits of data can be sent.

**Table 6-3 Master request**

Byte	Description
0	Slave node address 1 through 247 0 is global
1	Function code 0x6
2	Register address MSB
3	Register address LSB
4	Register data MSB
5	Register data LSB
6	CRC LSB
7	CRC MSB

**Table 6-4 Slave response**

Byte	Description
0	Slave source node address
1	Function code 0x6
2	Register address MSB
3	Register address LSB
4	Register data MSB
5	Register data LSB
6	CRC LSB
7	CRC MSB

**FC16 Write multiple**

Writes a contiguous array of registers. The slave imposes an upper limit on the number of registers which can be written. If this is exceeded the slave will discard the request and the master will time out.

**Table 6-5 Master request**

Byte	Description
0	Slave node address 1 through 247 0 is global
1	Function code 0x10
2	Start register address MSB
3	Start register address LSB
4	Number of 16bit registers MSB
5	Number of 16bit registers LSB
6	Length of register data to write (in bytes)
7	Register data 0 MSB
8	Register data 0 LSB
7+byte count	CRC LSB
8+byte count	CRC MSB

**Table 6-6 Slave response**

Byte	Description
0	Slave source node address
1	Function code 0x10
2	Start register address MSB
3	Start register address LSB
4	Number of 16bit registers written MSB
5	Number of 16bit registers written LSB
6	CRC LSB
7	CRC MSB

**NOTE**

It is not possible to write to 32 Bit parameters using FC16.

### FC23 Read/Write multiple

Writes and reads two contiguous arrays of registers. The slave imposes an upper limit on the number of registers which can be written. If this is exceeded the slave will discard the request and the master will time out.

**Table 6-7 Master request**

Byte	Description
0	Slave node address 1 through 247 0 is global
1	Function code 0x17
2	Start register address to read MSB
3	Start register address to read LSB
4	Number of 16bit registers to read MSB
5	Number of 16bit registers to read LSB
6	Start register address to write MSB
7	Start register address to write LSB
8	Number of 16bit registers to write MSB
9	Number of 16bit registers to write LSB
10	Length of register data to write (in bytes)
11	Register data 0 MSB
12	Register data 0 LSB
11+byte count	CRC LSB
12+byte count	CRC MSB

**Table 6-8 Slave response**

Byte	Description
0	Slave source node address
1	Function code 0x17
2	Length of register data in read block (in bytes)
3	Register data 0 MSB
4	Register data 0 LSB
3+byte count	CRC LSB
4+byte count	CRC MSB

### 6.1.7 Communications timeouts

When a CT Modbus RTU master sends a message to a slave, the master should use a timeout to detect a missing response from a slave. Ideally, a variable timeout will be used based on the number of hops a CT Modbus RTU message makes between the master and its eventual destination.

In practice a master may not be able to handle variable timeouts in such a fashion. If this is the case a single timeout should be used which is large enough to cater for the longest route to a destination. The recommended timeouts for use with a specific product are given in the specific product user guides.

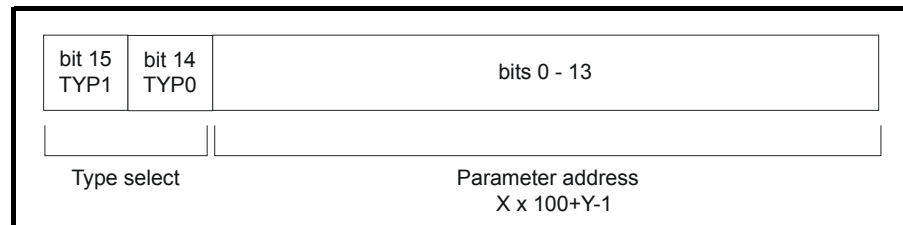
### 6.1.8 Extended data types

Standard MODBUS registers are 16bit and the standard mapping maps a single X.Y parameter to a single MODBUS register. To support 32bit data types (integer and float) the MODBUS multiple read and write services are used to transfer a contiguous array of 16bit registers.

Slave devices typically contain a mixed set of 16bit and 32bit registers. To permit the master to select the desired 16bit or 32bit access the top two bits of the register address are used to indicate the selected data type.

**NOTE**

The selection is applied for the whole block access



The 2bit type field selects the data type according to the table below:

Type field bits 15-14	Selected data type	Comments
00	INT16	backward compatible
01	INT32	
10	Float32	IEEE754 standard Not supported on all slaves
11	Reserved	

If a 32bit data type is selected then the slave uses two consecutive 16bit MODBUS registers (in 'big endian'). The master must also set the correct 'number of 16bit registers'.

Example, read Pr **20.21** through Pr **20.24** as 32bit parameters using FC03 from node 8:

**Table 6-9 Master request**

Byte	Value	Description
0	0x08	Slave destination node address
1	0x03	FC03 multiple read
2	0x47	Start register address Pr <b>20.21</b>
3	0xE4	(0x4000 + 2021 - 1) = 18404 = 0x47E4
4	0x00	Number of 16bit registers to read
5	0x08	Pr <b>20.21</b> through Pr <b>20.24</b> is 4x32bit registers = 8x16bit registers
6	CRC LSB	
7	CRC MSB	

**Table 6-10 Slave response**

Byte	Value	Description
0	0x08	Slave destination node address
1	0x03	FC03 multiple read
2	0x10	Length of data (bytes) = 4x32bit registers = 16bytes
3-6		Pr <b>20.21</b> data
7-10		Pr <b>20.22</b> data
11-14		Pr <b>20.23</b> data
15-18		Pr <b>20.24</b> data
19	CRC LSB	
20	CRC MSB	

**Reads when actual parameter type is different from selected**

The slave will send the least significant word of a 32 bit parameter if that parameter is read as part of a 16 bit access.

The slave will sign extent the least significant word if a 16 bit parameter is accessed as a 32 bit parameter. The number of 16 bit registers must be even during a 32 bit access.

Example, If Pr **20.21** is a 32 bit parameter with a value of 0x12345678, Pr **20.22** is a 16 bit parameter with a value of 0xABCD, and Pr **20.23** is a 16 bit parameter with a value of 0x0123.

Read	Start register address	Number of 16bit registers	Response	Comments
Pr 20.21	2020	1	0x5678	Standard 16 bit access to a 32bit register will return low 16bit word of truncated data
Pr 20.21	18404	2	0x12345678	Full 32bit access
Pr 20.21	18404	1	Exception 2	Number of words must be even for 32bit access
Pr 20.22	2021	1	0xABCD	Standard 16 bit access to a 32bit register will return low 16bit word of data
Pr 20.22	18405	2	0xFFFFABCD	32bit access to a 16bit register will return 32bit sign extended data
Pr 20.23	18406	2	0x0000123	32bit access to a 16bit register will return 32bit sign extended data
Pr 20.21 to Pr 20.22	2020	2	0x5678, 0xABCD	Standard 16 bit access to a 32bit register will return low 16bit word of truncated data
Pr 20.21 to Pr 20.22	18404	4	0x12345678, 0xFFFFABCD	Full 32bit access

#### Writes when actual parameter type is different from selected

The slave will allow writing a 32 bit value to a 16 bit parameter as long as the 32 bit value is within the normal range of the 16 bit parameter.

The slave will allow a 16 bit write to a 32 bit parameter. The slave will sign extend the written value, therefore, the effective range of this type of write will be  $\pm 32767$ .

Examples, if Pr 20.21 has a range of  $\pm 100000$ , and Pr 20.22 has a range of  $\pm 10000$ .

Write	Start register address	Number of 16bit registers	Data	Comments
Pr 20.21	2020	1	0x1234	Standard 16 bit write to a 32bit register. Value written = 0x00001234
Pr 20.21	2020	1	0xABCD	Standard 16 bit write to a 32bit register. Value written = 0xFFFFABCD
Pr 20.21	18404	2	0x00001234	Value written = 0x00001234
Pr 20.22	2021	1	0x0123	Value written = 0x0123
Pr 20.22	18405	2	0x00000123	Value written = 0x00000123

### 6.1.9 Exceptions

The slave will respond with an exception response if an error is detected in the master request. If a message is corrupted and the frame is not received or the CRC fails then the slave will not issue an exception. In this case the master device will time out. If a write multiple (FC16 or FC23) request exceeds the slave maximum buffer size then the slave will discard the message. No exception will be transmitted in this case and the master will time out.

#### Exception message format

The slave exception message has the following format.

Byte	Description
0	Slave source node address
1	Original function code with bit7 set
2	Exception code
3	CRC LSB
4	CRC MSB

### Exception codes

The following exception codes are supported.

Code	Description
1	Function code not supported
2	Register address out of range, or request to read too many registers

### Parameter over range during block write FC16

The slave processes the write block in the order the data is received. If a write fails due to an out of range value then the write block is terminated. However, the slave does not raise an exception response, rather the error condition is signalled to the master by the number of successful writes field in the response.

### Parameter over range during block read/write FC23

There will be no indication that there has been a value out of range during a FC23 access.

### 6.1.10 CRC

The CRC is a 16bit cyclic redundancy check using the standard CRC-16 polynomial  $x^{16} + x^{15} + x^2 + 1$ . The 16bit CRC is appended to the message and transmitted LSB first.

The CRC is calculated on ALL the bytes in the frame.

## 7 PLC Ladder programming

### PLC Ladder programming and SYPTLite

The Commander SK has the ability to store and execute a 3kb PLC ladder logic program.

#### NOTE

To enable the Commander SK to store and execute a SYPTLite program, a LogicStick must be installed to the drive.

The ladder logic program is written using SYPTLite, a Windows based ladder diagram editor allowing the development of programs for execution in the Commander SK.

SYPTLite is designed to be easy to use and to make program development as simple as possible. SYPTLite programs are developed using ladder logic, a graphical language widely used to program PLCs (IEC 61131-3). SYPTLite allows the user to 'draw' a ladder diagram representing a program.

SYPTLite provides a complete environment for the development of ladder diagrams. Ladder diagrams can be created, compiled into PLC ladder programs and downloaded into the Commander SK for execution via the RJ45 serial communications port on the front of the drive. The run-time operation of the compiled ladder diagram on the target can also be monitored using SYPTLite and facilities are provided to interact with the program on the target by setting new values for target parameters.

SYPTLite is available on the CD which is provided with the drive. The LogicStick can be purchased from your local Control Techniques Drive Centre or Distributor.

#### Benefits

The combination of the PLC ladder program and SYPTLite mean that Commander SK can replace nano and some micro PLC's in many applications. A Commander SK ladder program can contain up to 50 ladder logic rungs, up to 7 function blocks and 10 contacts per rung. The ladder program will be stored on the LogicStick.

In addition to the basic ladder symbols, SYPTLite contains:

- Arithmetic blocks
- Comparison blocks
- Timers
- Counters
- Multiplexers
- Latches
- Bit manipulation

Typical applications of the PLC ladder program include:

- Ancillary pumps
- Fans and control valves
- Interlocking logic
- Sequences routines
- Custom control words

#### Limitations

The PLC ladder program has the following limitations:

- The maximum program size is 3kbytes including the header and optional source code
- The user cannot create user variables. If they are needed, the user must use free registers in menus 18 and 20. The PLC ladder program can manipulate any drive parameter except parameters in menu 0.
- The program is only accessible via the drive's RJ45 serial communications port.
- There are no real-time tasks i.e. the scheduling rate of the program cannot be guaranteed. The PLC ladder programming should not be used for time critical applications.

#### NOTE

The LogicStick is rated for 1,000,000 downloads. The LogicStick can be transferred from one drive to another or a fresh copy of a PLC ladder program can be made on a different LogicStick by downloading the program from SYPTLite.

#### User program performance

Programs run at a low priority. The Commander SK provides a single background task in which to run the ladder diagram. The drive is prioritised to perform its major functions first e.g. motor control, and will use any remaining processing time to execute the ladder diagram. As the drive's processor becomes more heavily loaded running its major functions, less time is spent executing the program. SYPTLite displays the average execution time calculated over the last 10 scans of the user program.

#### Getting started and system requirements

SYPTLite can be found on the CD which is supplied with the drive.

- Commander SK LogicStick
- Windows 2000/XP/Vista 32 required. **Windows 95/98/98SE/ME/NT4 are not supported.**
- Internet explorer V5.0 or later must be installed
- Minimum of 800x600 screen resolution with 256 colors
- 128MB RAM
- Pentium III 500MHz or better recommended
- Adobe Acrobat 5.10 or later (for parameter help)
- RS232 to RS485, RJ45 communications lead to connect the PC to the Commander SK

#### NOTE

The user must have administrator rights under Windows 2000/XP/Vista 32 to install the software.



To install SYPTLite, insert the CD and the auto-run facility should start the front end screen, from which SYPTLite can be selected.

See the SYPTLite help file for more information regarding using SYPTLite, creating ladder diagrams and the function blocks available.

For the associated PLC ladder program parameters, see parameter Pr 11.47, Pr 11.48 and Pr 11.50 in section 10.12.1 *PLC ladder programming* on page 150.

**User program trips**

<b>Trip</b>	<b>Diagnosis</b>
<b>t090</b>	PLC ladder program attempted divide by zero
<b>t091</b>	PLC ladder program attempted access to non-existent parameter
<b>t092</b>	PLC ladder program attempted to write to a read only parameter
<b>t094</b>	PLC ladder program attempted to write a value to parameter which is out of range
<b>t095</b>	PLC ladder program virtual memory stack overflow
<b>t097</b>	PLC ladder program enabled with no LogicStick inserted or LogicStick removed
<b>t096</b>	PLC ladder program invalid operating system call
<b>t098</b>	PLC ladder program invalid instruction
<b>t099</b>	PLC ladder program invalid function block argument

## 8 CTSoft

CTSoft is a Windows™ based software commissioning and monitoring tool for Commander SK and other Control Techniques products.

CTSoft can be used for commissioning and monitoring, drive parameters can be uploaded, downloaded and compared, a simple or custom menu listing can be created. Drive menus can be displayed in standard list format or as live block diagrams. CTSoft is able to communicate with a single drive or a network.

CTSoft contains a wizard that can be used for simple drive set up by new or inexperienced users. CTSoft also can also be used to import a Commander SE Soft ctd file into Commander SK.

CTSoft can be found on the CD supplied with the drive or can be downloaded from [www.controltechniques.com](http://www.controltechniques.com).

### System requirements

- Pentium IV 1000MHz or better recommended.
- Windows 2000/XP/Vista 32. **Windows 95 and 98 are NOT supported.**
- Internet Explorer V5.0 or later should also be installed.
- Minimum of 800x600 screen resolution with 256 colors. 1024x768 is recommended.
- Adobe Acrobat 5.1 or later (for parameter help).
- 256MB RAM.
- Administrator rights under Windows 2000/XP/Vista 32 to install and run.

### Installing CTSoft

To install CTSoft from the CD, insert the CD and the auto-run facility should start up the front-end screen from which CTSoft can be selected. Otherwise run the SETUP.EXE in the CTSoft folder. Any previous copy of CTSoft should be uninstalled before proceeding with the installation (existing projects will not be lost).

### Uninstalling CTSoft

To uninstall CTSoft, go to the Control Panel, select "Add and Remove Programs". Scroll down the list until "CTSoft" is found then click on "Change/Remove". Uninstalling will not lose any user project or data files.

### Communications Overview

CTSoft operates in 2 basic communication modes:

In ONLINE mode CTSoft polls the selected drive to update all displayed parameter values. Any changes made to a parameter value will be displayed within CTSoft.

In OFFLINE mode CTSoft does not require any connection to a drive. Each parameter can be displayed and edited, and these alterations will only affect CTSoft's internal parameter set.

### Getting started with CTSoft

Please refer to the Readme file available within the installation directory for the latest information.

During the startup of CTSoft a number of initialisation files are accessed. These files enable CTSoft to store and retrieve system, user specific and parameter data.

On initialisation, the startup dialog is displayed allowing you to create a new project, open a previously saved project, or to work with a drive which automatically creates a project and allows quick access to communicating with a single drive.

Before drive commissioning can proceed, it is necessary to set up the Communications port to enable communication between the host PC and drive. Select the "Drive" menu, and Properties, to open the Drive Properties dialog.

The document server can be downloaded from [www.controltechniques.com](http://www.controltechniques.com). When help on a particular parameter is requested by the user, CTSoft links to the parameter in the relevant advanced user guide. Double-click the mouse on the required parameter and select parameter help from the displayed box

The following is a brief introduction to the functions available. Reference should be made to the CTSoft and drive Help files for more detailed information.

- The drive set-up wizard guides the novice user in entering motor and application data. Help is provided for each step in the set-up wizard and, after the data is downloaded to the drive, a quick motor test can be performed.
- CTSoft will automatically update the screen with any read values.
- The Navigation Panel allows the user to move between the screens in CTSoft.
- The Terminal Configuration screens display graphically the choice of terminal set-up. They enable the quick and effective setting of parameters to achieve the terminal configuration desired, with no knowledge of the parameters being set-up. The Analog References screen also provides the ability to set-up the mode of operation of the analog inputs. The graphical wiring diagram required for basic control dynamically altering with respect to the user choice.
- The monitoring screens show the status motor parameters displayed on panel meters. Drive faults are displayed and the faults log shows the last ten trips with description and time.
- The parameter listings are used to display the entire contents of a menu. This allows access to parameters that are not available to the user within the graphical screens or block diagrams. Complete parameter upload and download functions are provided with the ability to save these to disk. Complete compare facilities enable the comparison of CTSoft's memory with a user saved parameter file or database defaults, highlighting any differences.

- The Custom list enables parameters to be added to a custom list made up of all available drive parameters. This enables the viewing of unrelated parameters on the same screen. Custom files may be saved by the user for use at a later date.
- Many of the menus have associated block diagrams that graphically indicate how all of the related parameters interact. To change a parameter value simply right-click on a parameter and select "Edit Parameter".

**Table 8-1 Feature look up table**

Feature	Parameter number (Pr)									
Acceleration rates	2.10	2.11 to 2.19	2.30	2.32	2.33	2.34	2.39			
Allow negative references	1.10									
Analog I/O	Menu 7									
Analog output	7.19	7.20	7.33							
Analog speed reference 1	1.36	7.01	7.06	7.08	7.09	7.10	7.28	7.30		
Analog speed reference 2	1.37	7.02	7.11	7.12	7.13	7.14	7.31	1.41		
Application menus	Menu 18	Menu 20								
At speed indicator bit	3.06	10.05	10.06	10.07						
Auto reset	10.34	10.35	10.36	10.01						
Autotune	5.12	5.17	5.23	5.24	5.10	5.11				
Binary sum	9.29	9.30	9.31	9.32	9.33	9.34				
Brake control	12.40 to 12.47									
Braking	10.11	10.10	10.30	10.31	6.01	2.04	10.12	10.39	10.40	
Catch a spinning motor	6.09	5.12	5.17							
Copying	11.42									
Coast to stop	6.01									
Comms	11.23 to 11.26	6.42	6.43							
Cost - per kWh electricity	6.16	6.17	6.24	6.25	6.26					
Current controller	4.13	4.14								
Current feedback	4.01	4.02	4.17	4.04	4.20	4.24	4.26	10.08	10.09	10.17
Current limits	4.07	4.18	4.15	4.16	4.19	5.07	5.10	10.08	10.09	10.17
Current rating	11.32	4.24								
DC bus voltage	5.05	2.08								
DC injection braking	6.01	6.06	6.07							
Deceleration rates	2.20	2.21 to 2.29	2.31	2.35	2.36	2.37	2.39			
Defaults	11.43	11.46								
Digital I/O	Menu 8									
Digital I/O read word	8.20									
Digital I/O B3	8.01	8.11	8.21	8.31	8.41	12.41	Menu 3			
Digital Input B4	8.02	8.12	8.22	6.04						
Digital Input B5	8.03	8.13	8.23	6.04						
Digital input B6	8.04	8.14	8.24	6.04						
Digital input B7	8.05	8.15	8.25	8.35	Menu 3					
Direction	1.12	10.13	10.14	6.30	6.31	6.32	6.33	6.37	10.40	
Display units	4.21	5.34								
Display timeout	11.41									
Drive active	1.11	10.02	10.40							
Drive ok	10.01	10.36	10.40							
Dynamic V/F	5.13									
Enable	6.15	6.29	8.02	8.12	8.22					
External trip	10.32									
Fan speed	6.45									
Frequency input	3.32	3.33	3.34	3.43	3.44	3.45	8.25			
Frequency output	3.17	3.18	8.21							
Frequency reference selection	1.14	1.15								
Hard speed reference	3.22	3.23								
High stability space vector modulation	5.19									

**Table 8-1 Feature look up table**

Feature	Parameter number (Pr)									
	6.04	6.30	6.31	6.32	6.33	6.34	6.39	6.40	6.42	6.43
I/O sequencer	6.04	6.30	6.31	6.32	6.33	6.34	6.39	6.40	6.42	6.43
Jog reference	1.05	1.13	2.19	2.29						
Keypad reference	1.17	1.14	1.43	1.51	6.12					
Limit switches	6.35	6.36								
Logic function 1	9.01	9.04	9.05	9.06	9.07	9.08	9.09	9.10		
Logic function 2	9.02	9.14	9.15	9.16	9.07	9.18	9.19	9.20		
Low DC bus operation	6.10									
Mains loss	6.03	10.15	5.05							
Maximum speed	1.06									
Menu 0 set up	11.01 to 11.10	11.27	6.04							
Minimum speed	1.07	10.04								
Motor map	5.06	5.07	5.08	5.09	5.10	5.11				
Motor map 2	Menu 21	11.45								
Motorized potentiometer	9.03	9.21	9.22	9.23	9.24	9.25	9.26	9.27	9.28	
Offset speed reference	1.04	1.38	1.09							
Onboard PLC	11.47	11.48	11.50							
Open loop vector mode	5.14	5.17	5.23							
Operating mode	5.14									
Output	5.01	5.02	5.03	5.04						
Over modulation enable	5.20									
PID controller	Menu 14									
Power up parameter	11.22	11.21								
Precision reference	1.18	1.19	1.20	1.44						
Preset speeds	1.15	1.21 to 1.28		1.14	1.42	1.45	1.46	1.47	1.48	1.50
Programmable logic	Menu 9									
PWM output	3.17	8.21								
Ramp (accel / decel) mode	2.04	2.08	6.01	2.03	10.30	10.31	10.39			
Regenerating	10.10	10.11	10.30	10.31	6.01	2.04	10.12	10.39	10.40	
Relay output	8.07	8.17	8.27	12.41						
Reset	10.33	8.02	8.12	8.22	6.14					
S ramp	2.06	2.07								
Security code	11.30	11.44	5.50							
Serial comms	11.23 to 11.26	6.42	6.43							
Skip speeds	1.29	1.30	1.31	1.32	1.33	1.34	1.35			
Slip compensation	5.08	5.27								
Software version	11.29	11.34	11.35							
Speed reference selection	1.14	1.15	1.49	1.50	1.01	1.02				
Status word	10.40									
Supply	5.05									
Switching frequency	5.18	5.35	5.37							
Thermal protection - drive	5.18	5.35	7.04	7.05	7.34	7.35	7.36	10.18		
Thermal protection - motor	4.15	5.07	4.19	4.16	4.25					
Thermistor input	8.35									
Threshold detector 1	12.01	12.03	12.04	12.05	12.06	12.07				
Threshold detector 2	12.02	12.23	12.24	12.25	12.26	12.27				
Time - run log	6.22	6.23								
Torque mode	4.08	4.11								
Trip detection	10.37	10.20 to 10.29								
Trip log	10.20 to 10.29									
User trip	10.38									
Under voltage	5.05	10.15								

**Table 8-1 Feature look up table**

Feature	Parameter number (Pr)									
V/F mode	5.14	5.15								
Variable selector 1	12.08	12.09	12.10	12.11	12.12	12.13	12.14	12.15		
Variable selector 2	12.28	12.29	12.30	12.31	12.32	12.33	12.34	12.35		
Voltage mode	5.14	5.17	5.23	5.15						
Voltage rating	11.33	5.09	5.05							
Warning	10.19	10.12	10.17	10.18	10.40					
Zero speed indicator bit	3.05	10.03								

## 9 Menu 0

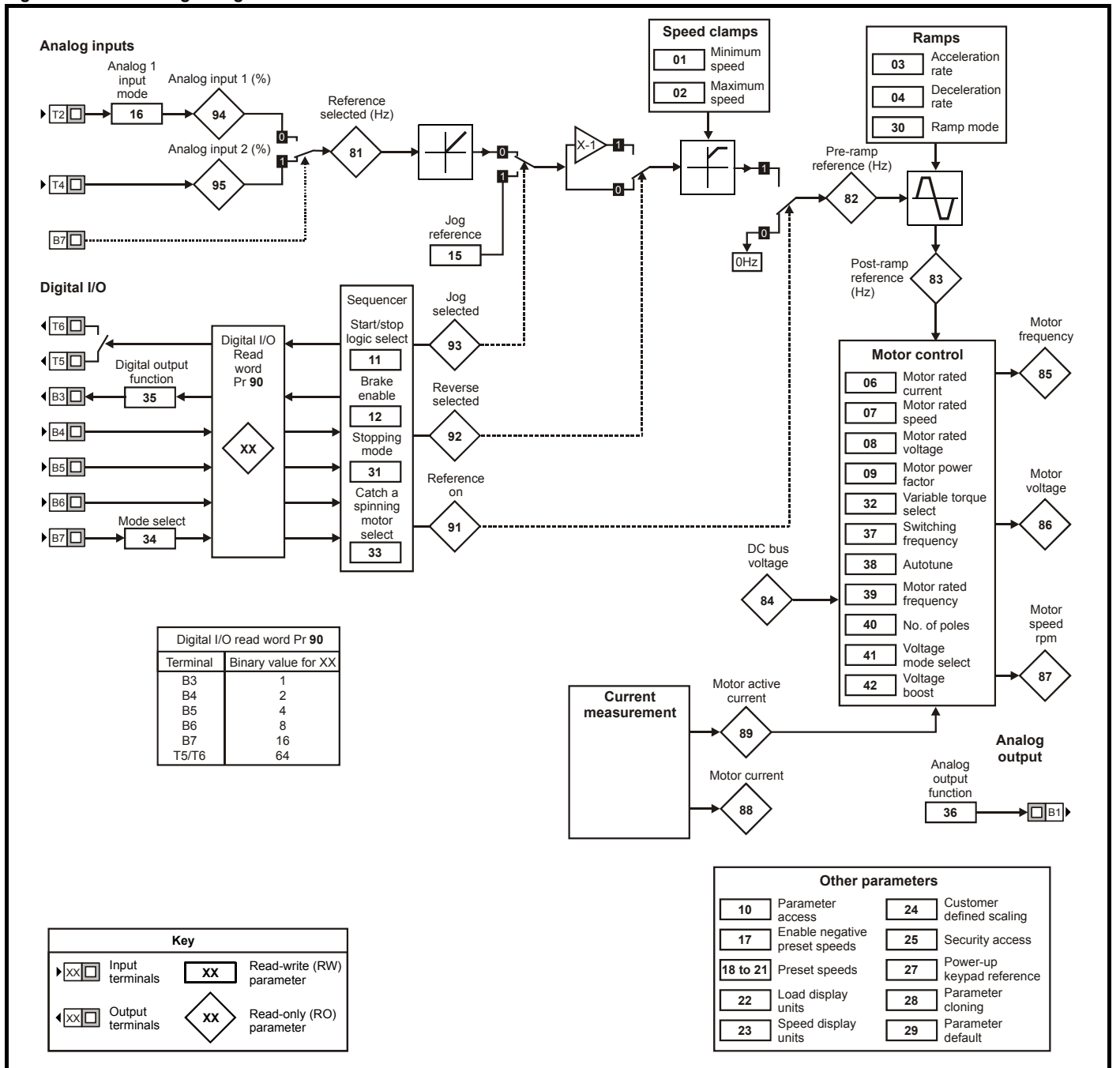
Table 9-1 Menu 0 parameters: single line descriptions

Par	Description	Default		Corresponding extended menu parameter	Setting
		Eur	USA		
01	Minimum set speed (Hz)	0.0		Pr 1.07	
02	Maximum set speed (Hz)	50.0	60.0	Pr 1.06	
03	Acceleration rate (s/100Hz)	5.0	33.0	Pr 2.11	
04	Deceleration rate (s/100Hz)	10.0	33.0	Pr 2.21	
05	Drive configuration	Al.AV	PAd	Pr 11.27	
06	Motor rated current (A)	Drive rating		Pr 5.07	
07	Motor rated speed (rpm)	1500	1800	Pr 5.08	
08	Motor rated voltage (V)	230/400/575/ 690	230/460/575/ 690	Pr 5.09	
09	Motor power factor (cos φ)	0.85		Pr 5.10	
10	Parameter access	L1		Pr 11.44	
11	Start/Stop logic select	0	4	Pr 6.04	
12	Brake controller enable	diS		Pr 12.41	
15	Jog reference (Hz)	1.5		Pr 1.05	
16	Analog input 1 mode (mA)	4-.20		Pr 7.06	
17	Enable negative preset speeds	OFF (0)		Pr 1.10	
18	Preset speed 1 (Hz)	0.0		Pr 1.21	
19	Preset speed 2 (Hz)	0.0		Pr 1.22	
20	Preset speed 3 (Hz)	0.0		Pr 1.23	
21	Preset speed 4 (Hz)	0.0		Pr 1.24	
22	Load display units	Ld		Pr 4.21	
23	Speed display units	Fr		Pr 5.34	
24	Customer defined scaling	1.000		Pr 11.21	
25	User security code	0		Pr 11.30	
27	Power up keypad reference	0		Pr 1.51	
28	Parameter copying	no		Pr 11.42	
29	Load defaults	no		Pr 11.43	
30	Ramp mode select	1		Pr 2.04	
31	Stop mode select	1		Pr 6.01	
32	Dynamic V to f select	OFF (0)		Pr 5.13	
33	Catch a spinning motor select	0		Pr 6.09	
34	Terminal B7 mode select	dig		Pr 8.35	
35	Digital output control (terminal B3)	n=0		Pr 8.41	
36	Analog output control (terminal B1)	Fr		Pr 7.33	
37	Maximum switching frequency (kHz)	3		Pr 5.18	
38	Autotune	0		Pr 5.12	
39	Motor rated frequency (Hz)	50.0	60.0	Pr 5.06	
40	Number of motor poles	Auto		Pr 5.11	
41	Voltage mode select	Ur l	Fd	Pr 5.14	
42	Low frequency voltage boost (%)	3.0	1.0	Pr 5.15	
43	Serial comms baud rate	19.2		Pr 11.25	
44	Serial comms address	1		Pr 11.23	
45	Software version			Pr 11.29	
46	Brake release current threshold (%)	50		Pr 12.42	
47	Brake apply current threshold (%)	10		Pr 12.43	
48	Brake release frequency (Hz)	1.0		Pr 12.44	
49	Brake apply frequency (Hz)	2.0		Pr 12.45	
50	Pre-brake release delay (s)	1.0		Pr 12.46	
51	Post brake release delay (s)	1.0		Pr 12.47	
52	*Solutions Module dependant			Pr 15.03	
53	*Solutions Module dependant			Pr 15.04	
54	*Solutions Module dependant			Pr 15.06	
55	Last trip			Pr 10.20	

Par	Description	Default		Corresponding extended menu parameter	Setting
		Eur	USA		
56	Trip before Pr 55			Pr 10.21	
57	Trip before Pr 56			Pr 10.22	
58	Trip before Pr 57			Pr 10.23	
59	PLC ladder program enable	0		Pr 11.47	
60	PLC ladder program status			Pr 11.48	
61	Configurable parameter 1				
62	Configurable parameter 2				
63	Configurable parameter 3				
64	Configurable parameter 4				
65	Configurable parameter 5				
66	Configurable parameter 6				
67	Configurable parameter 7				
68	Configurable parameter 8				
69	Configurable parameter 9				
70	Configurable parameter 10				
71	Pr 61 set up parameter			Pr 11.01	
72	Pr 62 set up parameter			Pr 11.02	
73	Pr 63 set up parameter			Pr 11.03	
74	Pr 64 set up parameter			Pr 11.04	
75	Pr 65 set up parameter			Pr 11.05	
76	Pr 66 set up parameter			Pr 11.06	
77	Pr 67 set up parameter			Pr 11.07	
78	Pr 68 set up parameter			Pr 11.08	
79	Pr 69 set up parameter			Pr 11.09	
80	Pr 70 set up parameter			Pr 11.10	
81	Frequency reference selected	Read only diagnostic parameters		Pr 1.01	
82	Pre-ramp reference			Pr 1.03	
83	Post-ramp reference			Pr 2.01	
84	DC Bus voltage			Pr 5.05	
85	Motor frequency			Pr 5.14	
86	Motor voltage			Pr 5.02	
87	Motor speed			Pr 5.04	
88	Motor current			Pr 4.01	
89	Motor active current			Pr 4.02	
90	Digital I/O read word			Pr 8.20	
91	Reference enabled indicator			Pr 1.11	
92	Reverse selected indicator			Pr 1.12	
93	Jog selected indicator			Pr 1.13	
94	Analog input 1 level			Pr 7.01	
95	Analog input 2 level			Pr 7.02	

\* Please refer to the appropriate Solutions Module manual.

**Figure 9-1 Menu 0 logic diagram**





# 10 Advanced parameter descriptions

## 10.1 Overview

Table 10-1 Menu descriptions

Menu no.	Description
1	Frequency / speed reference
2	Ramps
3	Frequency I/O, speed feedback and speed control
4	Current control
5	Motor control
6	Sequencer and clock
7	Analog I/O
8	Digital I/O
9	Programmable logic, motorized pot and binary sum
10	Status and diagnostics
11	General drive set-up
12	Threshold detectors and variable selectors
14	User PID controller
15*	Solutions module parameters
18	Application menu 1
20	Application menu 2
21	Second motor parameters

\*Only appears when a solutions module is installed to the Commander SK.

Table 10-2 gives a full key of the coding which appears in the following parameter tables.

Table 10-2 Key to parameter coding

Coding	Attribute
Bit	1 bit parameter
SP	Spare: not used
FI	Filtered: some parameters which can have rapidly changing values are filtered when displayed on the drive keypad for easy viewing.
DE	Destination: indicates that this parameter can be a destination parameter.
Txt	Text: the parameter uses text strings instead of numbers.
VM	Variable maximum: the maximum of this parameter can vary.
DP	Decimal place: indicates the number of decimal places used by this parameter.
ND	No default: when defaults are loaded (except when the drive is manufactured or on EEPROM failure) this parameter is not modified.
RA	Rating dependant: this parameter is likely to have different values and ranges with drives of different voltage and current ratings. These parameters are not transferred by SmartStick when the rating of the destination drive is different from the source drive.
NC	Not copied: not transferred to or from SmartStick during copying.
NV	Not visible: not visible on the keypad.
PT	Protected: cannot be used as a destination.
US	User save: saved in drive EEPROM when the user initiates a parameter save.
RW	Read/write: can be written by the user.
BU	Bit default one/unsigned: Bit parameters with this flag set to one have a default of one (all other bit parameters have a default of zero. Non-bit parameters are unipolar if this flag is one.
PS	Power-down save: automatically saved in drive EEPROM at power-down.

## 10.2 Menu 1: Speed reference selection, limits and filters

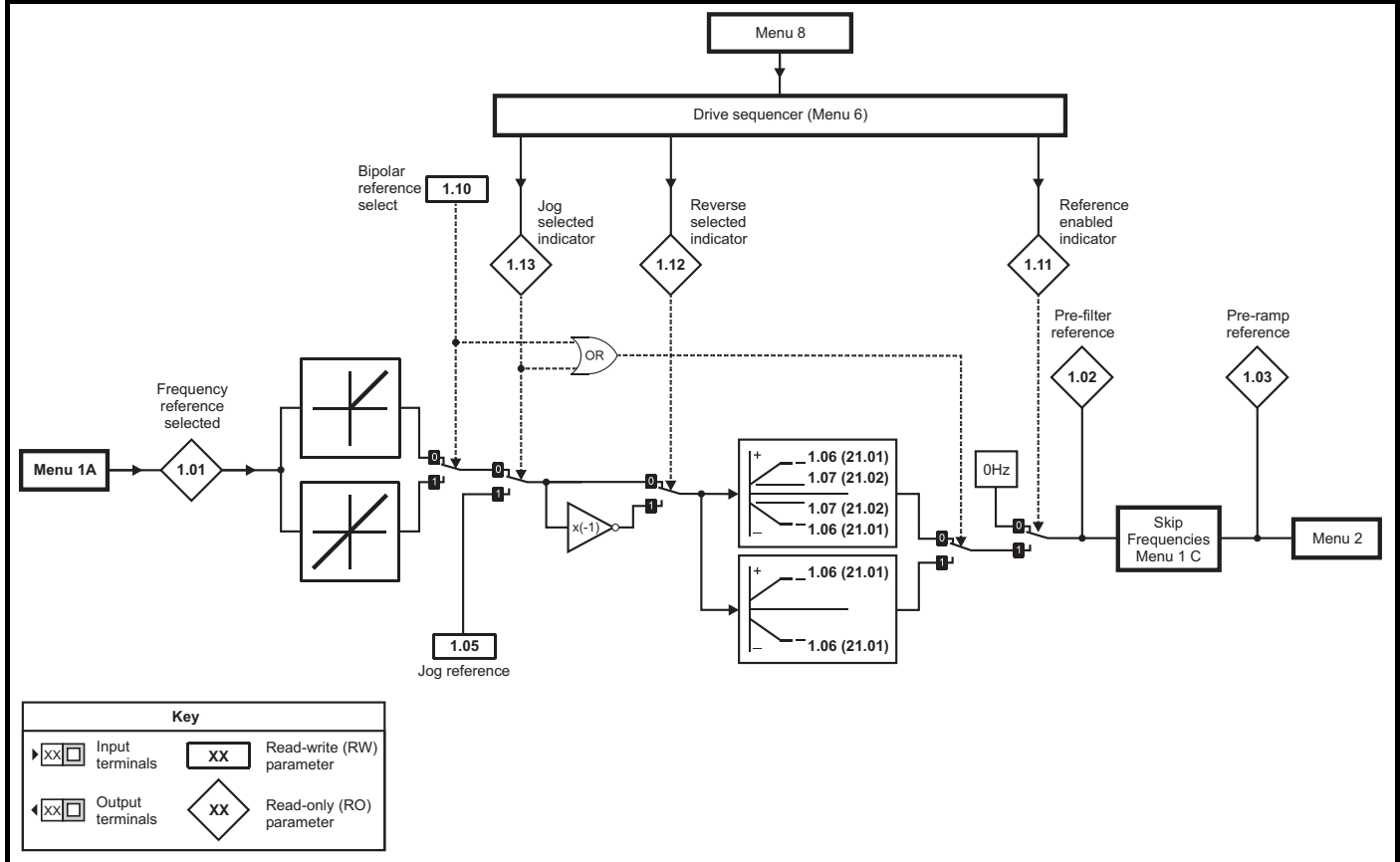
Table 10-3 Menu 1 parameters: single line descriptions

Parameter		Range	Default	Setting	Update Rate
1.01	Frequency reference selected {81}	± 1500.0 Hz*			5 ms
1.02	Pre-skip filter reference	± 1500.0 Hz			5 ms
1.03	Pre-ramp reference {82}	± 1500.0 Hz			5 ms
1.04	Reference offset	± 1500.0 Hz	0.0		5 ms
1.05	Jog reference {15}	0.0 to 400.0 Hz	1.5		5 ms
1.06	Maximum set speed {02}	0.0 to 1500.0 Hz	50(Eur) 60(USA)		B
1.07	Minimum set speed {01}	0.0 to Pr 1.06	0.0		B
1.08	Not used				
1.09	Reference offset select	OFF(0) or On(1)	OFF(0)		5 ms
1.10	Allow negative references {17}	OFF(0) or On(1)	OFF(0)		B
1.11	Reference enabled indicator {91}	OFF(0) or On(1)			2 ms
1.12	Reverse selected indicator {92}	OFF(0) or On(1)			2 ms
1.13	Jog selected indicator {93}	OFF(0) or On(1)			2 ms
1.14	Reference selector	A1.A2(0), A1.Pr(1), A2.Pr(2), Pr(3), PAd(4), Prc(5)	A1.A2(0)		5 ms
1.15	Preset speed selector	0 to 8	0		5 ms
1.16	Not used				
1.17	Keypad reference	± 1500.0 Hz	0.0		B
1.18	Precision reference coarse	± 1500.0 Hz	0.0		B
1.19	Precision reference fine	0.000 to 0.099 Hz	0.000		B
1.20	Precision reference update disable	OFF(0) or On(1)	OFF(0)		5 ms
1.21	Preset speed 1 {18}	± 1500.0 Hz	0.0		5 ms
1.22	Preset speed 2 {19}	± 1500.0 Hz	0.0		5 ms
1.23	Preset speed 3 {20}	± 1500.0 Hz	0.0		5 ms
1.24	Preset speed 4 {21}	± 1500.0 Hz	0.0		5 ms
1.25	Preset speed 5	± 1500.0 Hz	0.0		5 ms
1.26	Preset speed 6	± 1500.0 Hz	0.0		5 ms
1.27	Preset speed 7	± 1500.0 Hz	0.0		5 ms
1.28	Preset speed 8	± 1500.0 Hz	0.0		5 ms
1.29	Skip reference 1	0.0 to 1500.0 Hz	0.0		B
1.30	Skip reference band 1	0.0 to 25 Hz	0.5		B
1.31	Skip reference 2	0.0 to 1500.0 Hz	0.0		B
1.32	Skip reference band 2	0.0 to 25 Hz	0.5		B
1.33	Skip reference 3	0.0 to 1500.0 Hz	0.0		B
1.34	Skip reference band 3	0.0 to 25 Hz	0.5		B
1.35	Reference in rejection zone	OFF(0) or On(1)			5 ms
1.36	Analog reference 1	± 1500.0 Hz*			5 ms
1.37	Analog reference 2	± 1500.0 Hz*			5 ms
1.38	Percentage trim	±100.0%	0.0		5 ms
1.39	Not used				
1.40	Not used				
1.41	Analog reference 2 select	OFF(0) or On(1)	On(1)		5 ms
1.42	Preset reference select	OFF(0) or On(1)	OFF(0)		5 ms
1.43	Keypad reference select	OFF(0) or On(1)	OFF(0)		5 ms
1.44	Precision reference select	OFF(0) or On(1)	OFF(0)		5 ms
1.45	Preset select bit 0	OFF(0) or On(1)	OFF(0)		5 ms
1.46	Preset select bit 1	OFF(0) or On(1)	OFF(0)		5 ms
1.47	Preset select bit 2	OFF(0) or On(1)	OFF(0)		5 ms
1.48	Not used				
1.49	Reference selected indicator	1 to 5			5 ms
1.50	Preset Reference selected indicator	1 to 8			5 ms
1.51	Power up keypad reference {27}	0(zero), LAST(1), PrS1(2)	0(zero)		N/A

\* The maximum value is Pr 1.06 or Pr 21.01



**Figure 10-2 Menu 1B logic diagram**



**Figure 10-3 Menu 1C logic diagram**

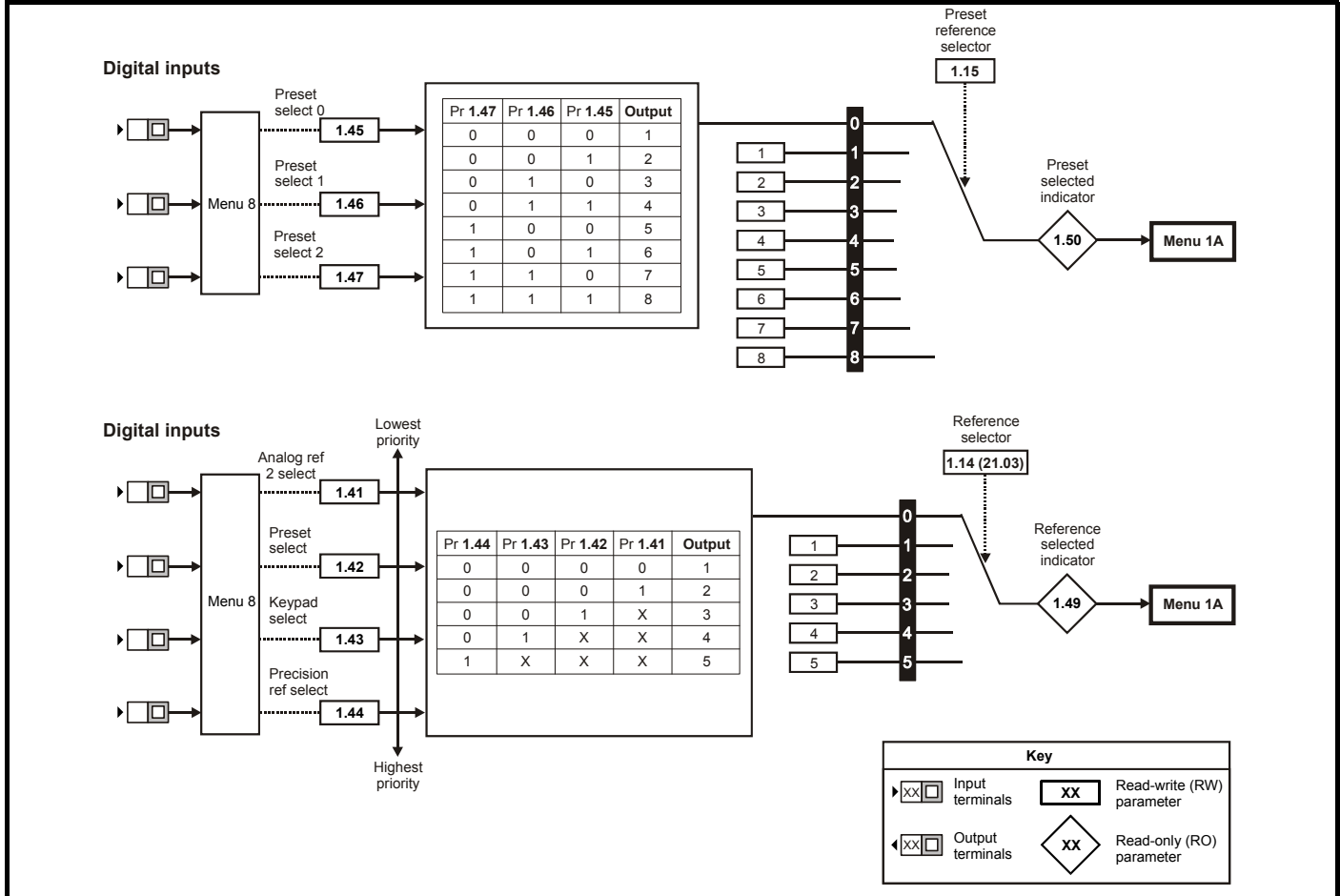
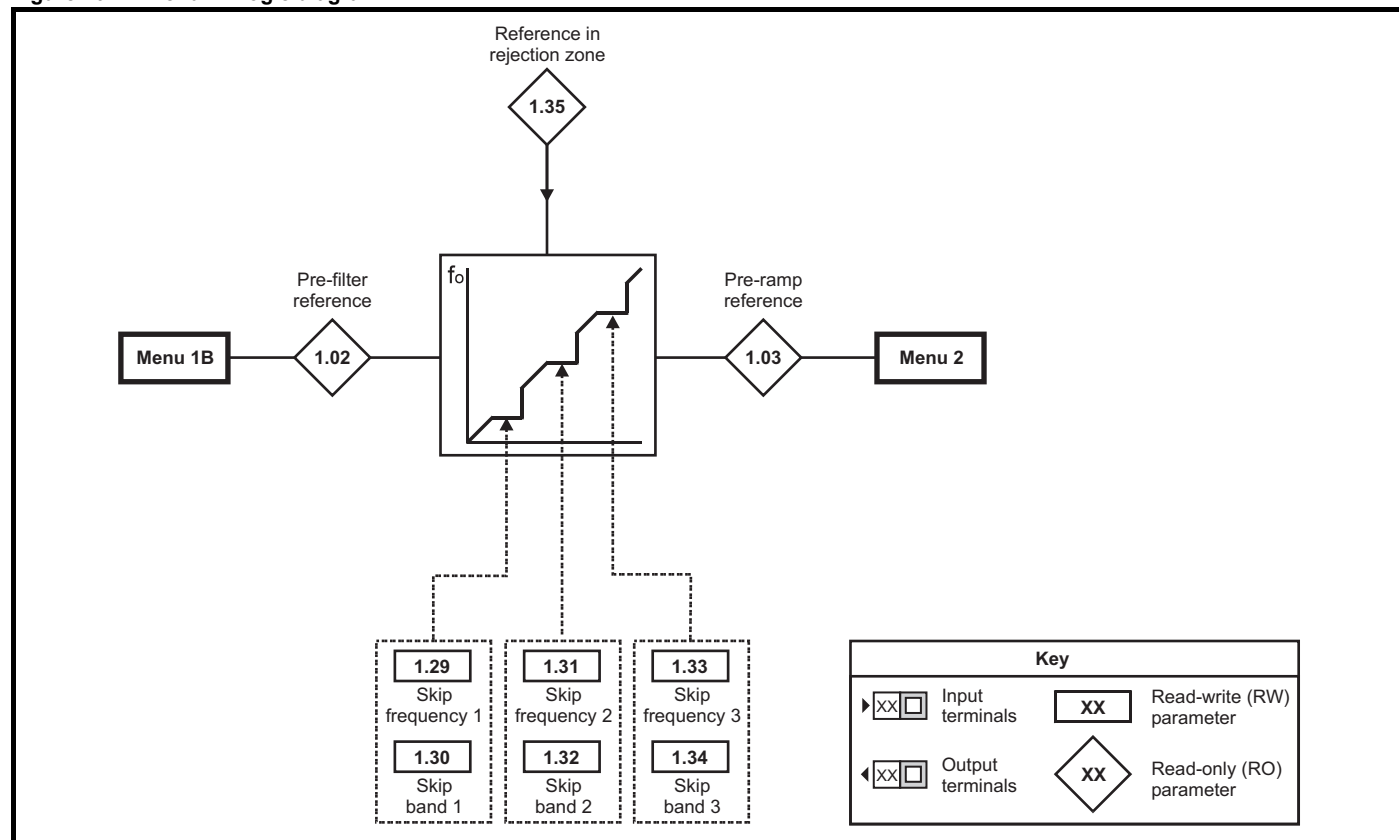


Figure 10-4 Menu 1D logic diagram



1.01	Frequency reference selected {81}															
Coding	Bit	SP	FI	DE	Txt	VM	DP	ND	RA	NC	NV	PT	US	RW	BU	PS
						1	1	1		1		1				
Range	±1500.0 Hz															
Update rate	5ms															

Indication of the reference being used by the drive for system setup and fault finding.

1.02	Pre-skip filter reference {82}															
Coding	Bit	SP	FI	DE	Txt	VM	DP	ND	RA	NC	NV	PT	US	RW	BU	PS
						1	1	1		1		1				
Range	±1500.0 Hz															
Update rate	5ms															

1.03	Pre-ramp reference {83}															
Coding	Bit	SP	FI	DE	Txt	VM	DP	ND	RA	NC	NV	PT	US	RW	BU	PS
						1	1	1		1		1				
Range	±1500.0 Hz															
Update rate	5ms															

Indication of the reference being used by the drive for system setup and fault finding.

1.04	Reference offset															
Coding	Bit	SP	FI	DE	Txt	VM	DP	ND	RA	NC	NV	PT	US	RW	BU	PS
						1	1						1	1		
Range	±1500.0 Hz															
Default	0.0															
Update rate	5ms															

See Pr 1.09 on page 39.

1.05	Jog reference {15}															
Coding	Bit	SP	FI	DE	Txt	VM	DP	ND	RA	NC	NV	PT	US	RW	BU	PS
							1						1	1	1	
Range	0.0 to 400.0 Hz															
Default	1.5															
Update rate	5ms															

Reference used for jogging. See section 10.7 *Menu 6: Drive sequencer and clock* for details on when the jog mode can be activated.

1.06	Maximum set speed {02}															
Coding	Bit	SP	FI	DE	Txt	VM	DP	ND	RA	NC	NV	PT	US	RW	BU	PS
							1						1	1	1	
Range	0.0 to 1500.0 Hz															
Default	Eur: 50.0 USA: 60.0															
Second motor parameter	Pr 21.01															
Update rate	Background															

This parameter is a symmetrical limit on both directions of rotation.

Defines drive absolute maximum frequency reference. Slip compensation and current limit can increase the motor frequency further.

<b>1.07</b>	<b>Minimum set speed {01}</b>															
<b>Coding</b>	Bit	SP	FI	DE	Txt	VM	DP	ND	RA	NC	NV	PT	US	RW	BU	PS
						1	1						1	1	1	
<b>Range</b>	0.0 to 1500.0 Hz															
<b>Default</b>	0.0															
<b>Second motor parameter</b>	Pr 21.02															
<b>Update rate</b>	Background															

Used in unipolar mode to define drive minimum set speed. This can be overridden if the maximum set speed clamp Pr 1.06 is adjusted to be less than Pr 1.07. Inactive during jogging. With Pr 1.10 set to On, Pr 1.07 is 0.0.

<b>1.08</b>	<b>Unused parameter</b>
-------------	-------------------------

<b>1.09</b>	<b>Reference offset select</b>															
<b>Coding</b>	Bit	SP	FI	DE	Txt	VM	DP	ND	RA	NC	NV	PT	US	RW	BU	PS
	1												1	1		
<b>Default</b>	OFF(0)															
<b>Update rate</b>	5ms															

When this parameter is OFF the reference is given by:  
 $Pr\ 1.01 = \text{selected reference} \times (100 + Pr\ 1.38) / 100$   
 and when this parameter is On the reference is given by:  
 $Pr\ 1.01 = \text{SELECTED REFERENCE} + Pr\ 1.04$

<b>1.10</b>	<b>Allow negative references {17}</b>															
<b>Coding</b>	Bit	SP	FI	DE	Txt	VM	DP	ND	RA	NC	NV	PT	US	RW	BU	PS
	1												1	1		
<b>Default</b>	OFF(0)															
<b>Update rate</b>	Background															

- 0: OFF Allow negative references disabled
- 1: On Allow negative references enabled

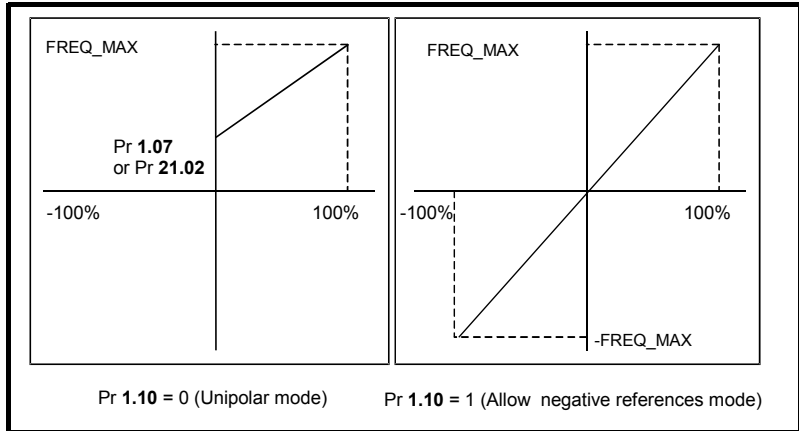
Needs to be set if the user requires to change the direction of rotation with a negative reference. If it is not set, all negative references are treated as zero. Possible negative references are:

- Preset speeds 1 to 8
- Keypad reference
- Precision reference
- Analog reference from I/O Solutions Module
- Reference from a comms Solutions Module

**NOTE**

Both standard analog inputs are unipolar and setting this bit does not allow bipolar analog references to be applied to the drive. However, the I/O Solutions Module has a bipolar input for this purpose.

**Analog input scaling**



<b>1.11</b>	<b>Reference enabled indicator {91}</b>															
<b>1.12</b>	<b>Reverse selected indicator {92}</b>															
<b>1.13</b>	<b>Jog selected indicator {93}</b>															
<b>Coding</b>	Bit	SP	FI	DE	Txt	VM	DP	ND	RA	NC	NV	PT	US	RW	BU	PS
	1							1		1		1				
<b>Update rate</b>	2ms															

These flags are controlled by the drive sequencer defined in Menu 6. They select the appropriate reference as commanded by the drive logic.

<b>1.14</b>	<b>Reference selector</b>															
<b>Coding</b>	Bit	SP	FI	DE	Txt	VM	DP	ND	RA	NC	NV	PT	US	RW	BU	PS
					1								1	1	1	
<b>Range</b>	A1.A2(0), A1.Pr(1), A2.Pr(2), Pr(3), PAd(4), Prc(5)															
<b>Default</b>	A1.A2(0)															
<b>Second motor parameter</b>	Pr 21.03															
<b>Update rate</b>	5ms															

This parameter is used to select a speed reference for motor 1 as follows:

- 0: A1.A2 Analog reference 1 or 2 selected by terminal input
- 1: A1.Pr Analog reference 1 (current) or 3 Presets selected by terminal input
- 2: A2.Pr Analog reference 2 (voltage) or 3 Presets selected by terminal input
- 3: Pr 4 Preset speeds selected by terminal input
- 4: PAd Keypad reference selected
- 5: Prc Precision reference selected

**NOTE**

**For existing users of Commander SE:**

On Commander SK, Pr 1.14 (Pr 21.03) is not automatically set-up for modes 1 to 3. Digital inputs need to be assigned to Pr 1.45 and Pr 1.46, to allow selection of preset speeds. The tables below show possible configurations:

**With Eur defaults**

Pr 1.14	Terminal B4 Destination	Terminal B7 Destination	Pr 1.49
A1.A2(0)	Pr 6.29	Pr 1.41	Selected by terminal input
A1.Pr(1)	Pr 1.45	Pr 1.46	1
A2.Pr(2)	Pr 1.45	Pr 1.46	2
Pr(3)	Pr 1.45	Pr 1.46	3
PAd(4)			4
Prc(5)			5

**With USA defaults**

Pr 1.14	Terminal B4 Destination	Terminal B7 Destination	Pr 1.49
A1.A2(0)	Pr 6.31	Pr 1.41	Selected by terminal input
A1.Pr(1)	Pr 1.45	Pr 1.46	1
A2.Pr(2)	Pr 1.45	Pr 1.46	2
Pr(3)	Pr 1.45	Pr 1.46	3
PAd(4)			4
Prc(5)			5

When this parameter is set to 0 the reference selected depends on the state of bit parameters Pr 1.41 to Pr 1.44. These bits are for control by digital inputs such that references can be selected by external control. If any of the bits are set, the appropriate reference is selected (indicated by Pr 1.49). If more than one bit is set the highest numbered will have priority.

In modes 1 and 2 a preset speed will be selected instead of the voltage or current selection if the preset selected is any preset speed other than preset speed 1. This gives the user the flexibility to be able to select between current and 3 presets, or voltage and three presets, with only two digital inputs.

**NOTE**

When Pr 1.14 is set to 5 (Prc), Pr 1.04, Pr 1.09 and Pr 1.38 cannot be used.



Pr 1.41	Pr 1.42	Pr 1.43	Pr 1.44	Reference selected	Pr 1.49
0	0	0	0	Analog reference 1 (A1)	1
1	0	0	0	Analog reference 2 (A2)	2
X	1	0	0	Preset reference (Pr)	3
X	X	1	0	Keypad reference (PAd)	4
X	X	X	1	Precision reference (Prc)	5

#### Keypad reference

If Keypad reference is selected, the drive sequencer is controlled directly by the keypad keys and the keypad reference parameter (Pr 1.17) is selected. The sequencing bits, Pr 6.30 to Pr 6.34, have no effect and jog is disabled.

#### NOTE

There is no forward/ reverse button on the drives keypad. If a forward/ reverse is required in keypad mode, see Pr 11.27 for how to set this up.

#### NOTE

#### For existing users of Commander SE:

On Commander SE, Pr 1.14 (Pr 21.03) used to correspond to Pr 05.

On Commander SK, Pr 11.27 corresponds to Pr 05.

If Pr 05 or Pr 11.27 is used in a desired system set-up and then Pr 1.14 (Pr 21.03) is then used to change this set-up, although some of these set-ups for Pr 05 and Pr 1.14 (Pr 21.03) are the same, the displayed value showing the set-up of Pr 05 (Al.AV, AV.Pr etc.) will not change to the setting of Pr 1.14 (Pr 21.03).

1.15	Preset speed selector															
Coding	Bit	SP	FI	DE	Txt	VM	DP	ND	RA	NC	NV	PT	US	RW	BU	PS
													1	1	1	
Range	0 to 8															
Default	0															
Update rate	5ms															

This parameter is used to select a preset speed reference as follows:

- 0 Preset selection by terminal input
- 1 Preset 1 selected if Pr 1.49 = 3, AN1 selected if Pr 1.49 = 1, AN2 selected if Pr 1.49 = 2
- 2 Preset 2 selected
- 3 Preset 3 selected
- 4 Preset 4 selected
- 5 Preset 5 selected
- 6 Preset 6 selected
- 7 Preset 7 selected
- 8 Preset 8 selected

With a value other than 0 or 1, this means that the corresponding preset speed will be used as the selected reference (Pr 1.01).

When this parameter is set to 0 the preset selected depends on the state of bit parameters Pr 1.45, Pr 1.46 and Pr 1.47. These bits are for control by digital inputs such that presets can be selected by external control. The preset selected depends on the binary code generated by these bits as follows:

Pr 1.47	Pr 1.46	Pr 1.45	Preset selected Pr 1.50
0	0	0	1 (if Pr 1.49 = 3)
0	0	1	2
0	1	0	3
0	1	1	4
1	0	0	5
1	0	1	6
1	1	0	7
1	1	1	8

Pr 1.50 indicates the preset selected at all times.

If the reference selected by Pr 1.14 (or Pr 21.03) is 1 or 2 (current or voltage) a preset will be selected instead of the current or voltage selection if the preset selected is any other than 1. This give the user the flexibility to be able to select between voltage and 3 presets, or current and three presets, with only two digital inputs.

1.16	Unused parameter
------	------------------

1.17	Keypad reference															
Coding	Bit	SP	FI	DE	Txt	VM	DP	ND	RA	NC	NV	PT	US	RW	BU	PS
						1	1			1		1				1
Range	±1500.0Hz															
Default	0.0															
Update rate	Background															

This parameter is the reference used when keypad reference is selected.

The range depends on the setting of Pr 1.10:

Pr 1.10 Range

0: OFF Pr 1.07 to 1500 Hz or Pr 21.02 to 1500 Hz

1: On ±1500 Hz

1.18	Precision reference coarse															
Coding	Bit	SP	FI	DE	Txt	VM	DP	ND	RA	NC	NV	PT	US	RW	BU	PS
						1	1						1	1		
Range	±1500.0Hz															
Default	0.0															
Update rate	Background															

1.19	Precision reference fine															
Coding	Bit	SP	FI	DE	Txt	VM	DP	ND	RA	NC	NV	PT	US	RW	BU	PS
							3						1	1	1	
Range	0.000 to 0.099Hz															
Default	0.000															
Update rate	Background															

The drives normal frequency resolution is 0.1Hz.

Selecting these two parameters as a reference automatically selects high resolution control (unless a frequency limit is hit or slip compensation is enabled). The frequency in this case will have a resolution of 0.001Hz. Pr 1.18 defines the reference (either positive or negative) with a resolution of 0.1Hz. Pr 1.19 defines the fine part of the reference (always positive). The final reference is given by Pr 1.18 + Pr 1.19. Therefore Pr 1.19 increases positive references away from zero, and decreases negative references towards zero.

1.20	Precision reference update disable															
Coding	Bit	SP	FI	DE	Txt	VM	DP	ND	RA	NC	NV	PT	US	RW	BU	PS
	1									1				1		
Default	OFF(0)															
Update rate	5ms															

0: OFF Precision reference update disable off

1: On Precision reference update disable on

When this parameter is set to OFF, the pre-ramp reference (Pr 1.01) is updated with the precision reference parameters (Pr 1.18 and Pr 1.19). If the precision reference parameters are changed while this parameter is set to OFF, the pre-ramp reference will be updated immediately.

When this parameter is set to On, the precision reference update parameters (Pr 1.18 and Pr 1.19) are continually read and updated in internal memory but the pre-ramp reference (Pr 1.01) is not updated. Because the precision reference has to be set in two parameters, this parameter being set to On prevents the reference from being updated while the parameters are being changed. This prevents the possibility of data skew.

<b>1.21</b>	<b>Preset speed 1 {18}</b>															
<b>1.22</b>	<b>Preset speed 2 {19}</b>															
<b>1.23</b>	<b>Preset speed 3 {20}</b>															
<b>1.24</b>	<b>Preset speed 4 {21}</b>															
<b>1.25</b>	<b>Preset speed 5</b>															
<b>1.26</b>	<b>Preset speed 6</b>															
<b>1.27</b>	<b>Preset speed 7</b>															
<b>1.28</b>	<b>Preset speed 8</b>															
<b>Coding</b>	Bit	SP	FI	DE	Txt	VM	DP	ND	RA	NC	NV	PT	US	RW	BU	PS
						1	1						1	1		
<b>Range</b>	±1500.0Hz															
<b>Default</b>	0.0															
<b>Update rate</b>	5ms															

Defines preset speeds 1 to 8

The preset speeds are clamped by the maximum set speed (Pr 1.06).

**NOTE**

The preset speeds do not go back to the maximum clamp value, if the clamp (Pr 1.06) has been reduced previously.

<b>1.29</b>	<b>Skip reference 1</b>															
<b>1.31</b>	<b>Skip reference 2</b>															
<b>1.33</b>	<b>Skip reference 3</b>															
<b>Coding</b>	Bit	SP	FI	DE	Txt	VM	DP	ND	RA	NC	NV	PT	US	RW	BU	PS
							1						1	1	1	
<b>Range</b>	0 to 1500.0Hz															
<b>Default</b>	0.0															
<b>Update rate</b>	Background															

See Pr 1.30, Pr 1.32 and Pr 1.34 description.

<b>1.30</b>	<b>Skip reference band 1</b>															
<b>1.32</b>	<b>Skip reference band 2</b>															
<b>1.34</b>	<b>Skip reference band 3</b>															
<b>Coding</b>	Bit	SP	FI	DE	Txt	VM	DP	ND	RA	NC	NV	PT	US	RW	BU	PS
							1						1	1	1	
<b>Range</b>	0.0 to 25.0Hz															
<b>Default</b>	0.5															
<b>Update rate</b>	Background															

Three skip references are available to prevent continuous operation at a speed that would cause mechanical resonance. When a skip reference parameter is set to 0 that filter is disabled. The skip reference band parameters define the frequency or speed range either side of the programmed skip reference, over which references are rejected. The actual reject band is therefore twice that programmed in these parameters, the skip reference parameters defining the centre of the band. When the selected reference is within a band the lower limit of the band is passed through to the ramps such that reference is always less than demanded.

<b>1.35</b>	<b>Reference in rejection zone</b>															
<b>Coding</b>	Bit	SP	FI	DE	Txt	VM	DP	ND	RA	NC	NV	PT	US	RW	BU	PS
	1							1		1		1				
<b>Update rate</b>	5ms															

This parameter indicates that the selected reference is within one of the skip frequency regions such that the motor speed is not as demanded.

<b>1.36</b>	<b>Analog reference 1</b>															
<b>1.37</b>	<b>Analog reference 2</b>															
<b>Coding</b>	Bit	SP	FI	DE	Txt	VM	DP	ND	RA	NC	NV	PT	US	RW	BU	PS
						1	1	1		1		1				
<b>Range</b>	±1500.0Hz															
<b>Update rate</b>	5ms															

These parameters are made available for control by analog inputs which are required to be frequency references.

The programmed input is automatically scaled such that 100.0% input corresponds to the set maximum speed (Pr 1.06 or Pr 21.01). Also the 0% input level corresponds to the minimum speed level (Pr 1.07 or Pr 21.02) if negative references (Pr 1.10) is not selected.

<b>1.38</b>	<b>Percentage trim</b>															
<b>Coding</b>	Bit	SP	FI	DE	Txt	VM	DP	ND	RA	NC	NV	PT	US	RW	BU	PS
							1			1				1		
<b>Range</b>	±100.0%															
<b>Default</b>	0.0															
<b>Update rate</b>	5ms															

See Pr 1.09.

<b>1.39 to 1.40</b>	<b>Unused parameters</b>															
---------------------	--------------------------	--	--	--	--	--	--	--	--	--	--	--	--	--	--	--

<b>1.41</b>	<b>Analog reference 2 select</b>															
<b>1.42</b>	<b>Preset reference select</b>															
<b>1.43</b>	<b>Keypad reference select</b>															
<b>1.44</b>	<b>Precision reference select</b>															
<b>1.45</b>	<b>Preset select bit 0</b>															
<b>1.46</b>	<b>Preset select bit 1</b>															
<b>1.47</b>	<b>Preset select bit 2</b>															
<b>Coding</b>	Bit	SP	FI	DE	Txt	VM	DP	ND	RA	NC	NV	PT	US	RW	BU	PS
	1									1				1		
<b>Default</b>	0															
<b>Update rate</b>	5ms															

These bits are provided for control by logic input terminals for external reference selection (see Pr 1.14 on page 40, and Pr 1.15 on page 41).

Pr 1.41 Analog reference 2 select (lowest priority)

Pr 1.42 Preset reference select

Pr 1.43 Keypad reference select

Pr 1.44 Precision reference select (highest priority)

If more than one of these parameters is active, the highest priority take precedence.

<b>1.48</b>	<b>Unused parameter</b>															
-------------	-------------------------	--	--	--	--	--	--	--	--	--	--	--	--	--	--	--

<b>1.49</b>	<b>Reference selected indicator</b>															
<b>Coding</b>	Bit	SP	FI	DE	Txt	VM	DP	ND	RA	NC	NV	PT	US	RW	BU	PS
								1		1		1			1	
<b>Range</b>	1 to 5															
<b>Update rate</b>	5ms															

Indicates the reference currently being selected.

- 1: Analog reference 1 selected
- 2: Analog reference 2 selected
- 3: Preset reference selected
- 4: Keypad reference selected
- 5: Precision reference selected

<b>1.50</b>	<b>Preset reference selected indicator</b>															
<b>Coding</b>	Bit	SP	FI	DE	Txt	VM	DP	ND	RA	NC	NV	PT	US	RW	BU	PS
								1		1		1			1	
<b>Range</b>	1 to 8															
<b>Update rate</b>	5ms															

Indicates the preset currently being selected. If Pr 1.49 = 1 or 2 then a value of 1 indicates that one of the analog references is being selected.

<b>1.51</b>	<b>Power-up keypad reference {27}</b>															
<b>Coding</b>	Bit	SP	FI	DE	Txt	VM	DP	ND	RA	NC	NV	PT	US	RW	BU	PS
					1								1	1	1	
<b>Range</b>	0(zero), LAsT(1), PrS1(2)															
<b>Default</b>	0															
<b>Update rate</b>	N/A															

Selects the value of the keypad reference on power-up.

Value	Display	Function
0	0	keypad reference is zero
1	LAsT	keypad reference is the last used value
2	PrS1	keypad reference is copied from Preset speed 1 (Pr 1.21)

## 10.3 Menu 2: Ramps

Table 10-4 Menu 2 parameters: single line descriptions

Parameter	Range	Default		Setting	Update Rate
		Eur	USA		
2.01 Post ramp reference {83}	± 1500.0 Hz				21 ms
2.02 Not used					
2.03 Ramp hold	OFF(0) or On(1)	OFF(0)			128 ms
2.04 Ramp mode select {30}	0 to 3	1			B
2.05 Not used					
2.06 S ramp enable	OFF(0) or On(1)	OFF(0)			B
2.07 S ramp acceleration limit	0.0 to 300.0 s <sup>2</sup> /100 Hz	3.1			B
2.08 Standard ramp voltage	0 to DC_VOLTAGE_SET_MAX V	110V drive: 375 200V drive: 375 400V drive: 750 (Eur) 775 (USA) 575V drive: 895 690V drive: 1075			B
2.09 Not used					
2.10 Acceleration rate selector	0 to 9	0			5 ms
2.11 Acceleration rate 1 {03}	0.0 to 3200.0 s/100 Hz	5.0	33.0		5 ms
2.12 Acceleration rate 2	0.0 to 3200.0 s/100 Hz	5.0			5 ms
2.13 Acceleration rate 3	0.0 to 3200.0 s/100 Hz	5.0			5 ms
2.14 Acceleration rate 4	0.0 to 3200.0 s/100 Hz	5.0			5 ms
2.15 Acceleration rate 5	0.0 to 3200.0 s/100 Hz	5.0			5 ms
2.16 Acceleration rate 6	0.0 to 3200.0 s/100 Hz	5.0			5 ms
2.17 Acceleration rate 7	0.0 to 3200.0 s/100 Hz	5.0			5 ms
2.18 Acceleration rate 8	0.0 to 3200.0 s/100 Hz	5.0			5 ms
2.19 Jog acceleration rate	0.0 to 3200.0 s/100 Hz	0.2			5 ms
2.20 Deceleration rate selector	0 to 9	0			5 ms
2.21 Deceleration rate 1 {04}	0.0 to 3200.0 s/100 Hz	10.0	33.0		5 ms
2.22 Deceleration rate 2	0.0 to 3200.0 s/100 Hz	10.0			5 ms
2.23 Deceleration rate 3	0.0 to 3200.0 s/100 Hz	10.0			5 ms
2.24 Deceleration rate 4	0.0 to 3200.0 s/100 Hz	10.0			5 ms
2.25 Deceleration rate 5	0.0 to 3200.0 s/100 Hz	10.0			5 ms
2.26 Deceleration rate 6	0.0 to 3200.0 s/100 Hz	10.0			5 ms
2.27 Deceleration rate 7	0.0 to 3200.0 s/100 Hz	10.0			5 ms
2.28 Deceleration rate 8	0.0 to 3200.0 s/100 Hz	10.0			5 ms
2.29 Jog deceleration rate	0.0 to 3200.0 s/100 Hz	0.2			5 ms
2.30 Acceleration selected indicator	1 to 8				5 ms
2.31 Deceleration selected indicator	1 to 8				5 ms
2.32 Acceleration select bit 0	OFF(0) or On(1)	OFF(0)			5 ms
2.33 Acceleration select bit 1	OFF(0) or On(1)	OFF(0)			5 ms
2.34 Acceleration select bit 2	OFF(0) or On(1)	OFF(0)			5 ms
2.35 Deceleration select bit 0	OFF(0) or On(1)	OFF(0)			5 ms
2.36 Deceleration select bit 1	OFF(0) or On(1)	OFF(0)			5 ms
2.37 Deceleration select bit 2	OFF(0) or On(1)	OFF(0)			5 ms
2.38 Not used					
2.39 Ramp rate units	0 to 2	1			B

**Figure 10-5 Menu 2A logic diagram**

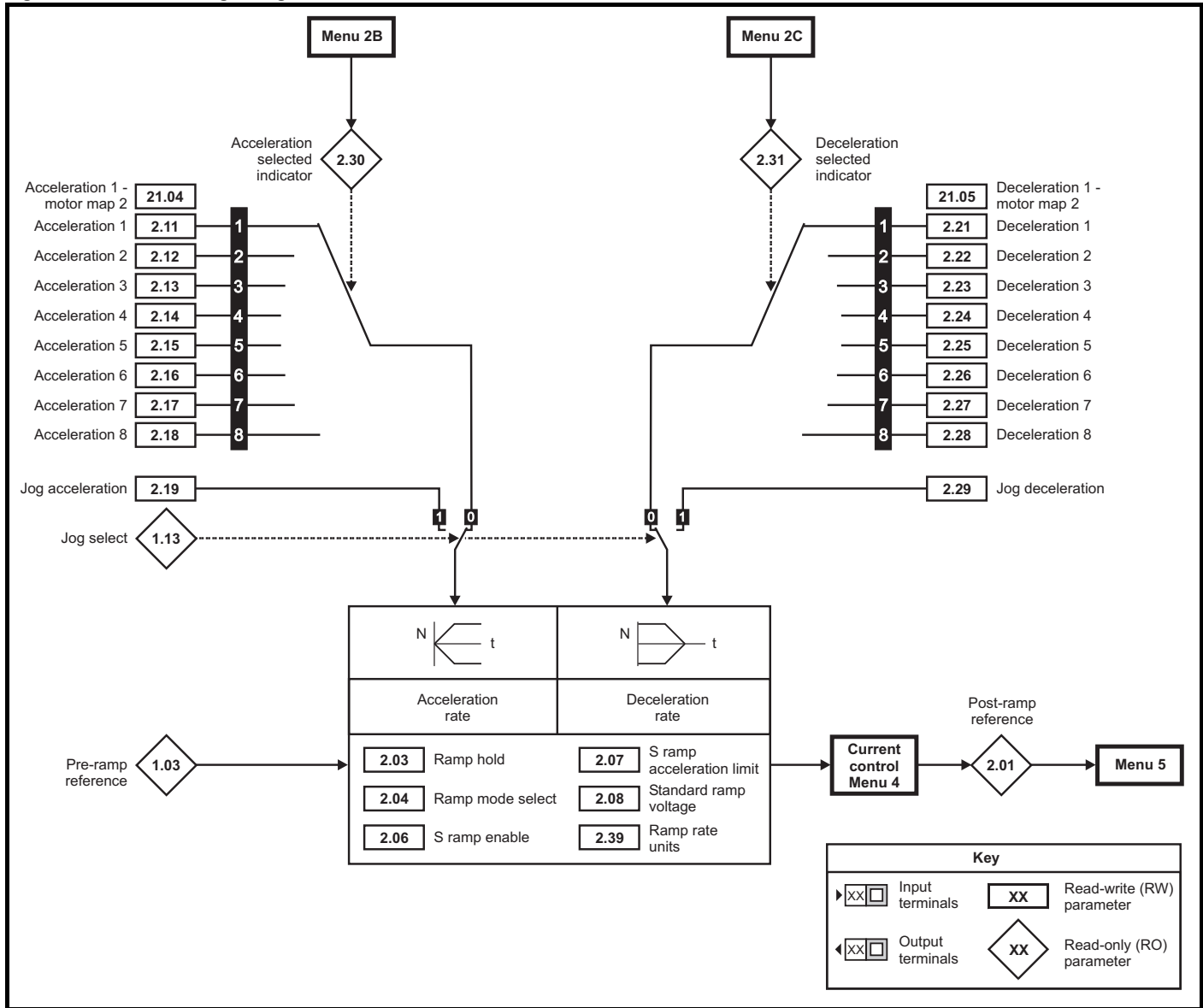


Figure 10-6 Menu 2B logic diagram

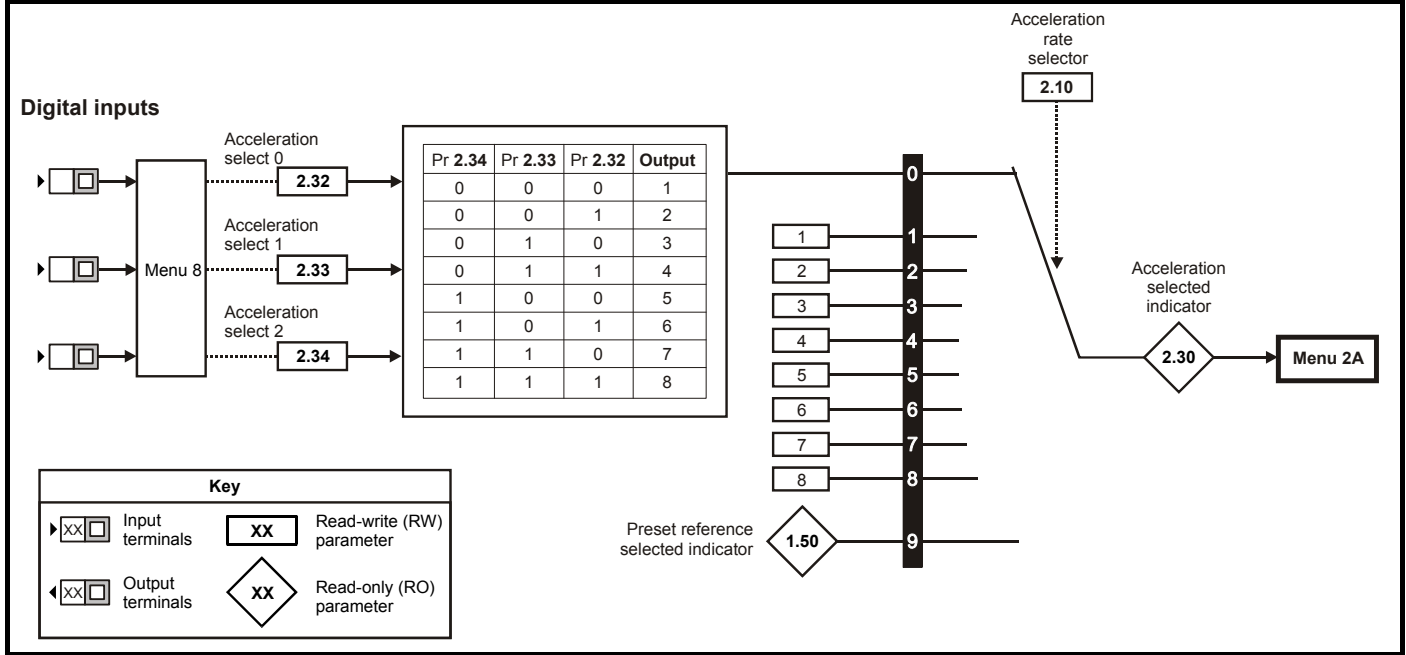
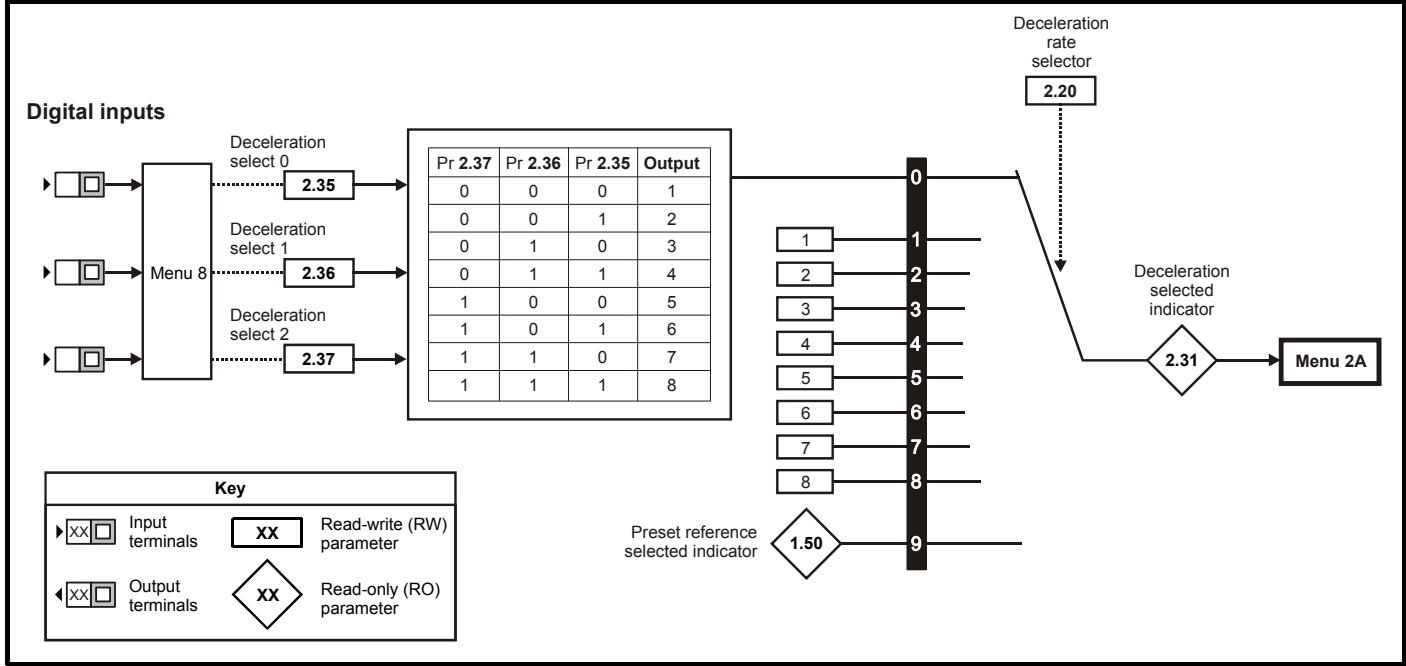


Figure 10-7 Menu 2C logic diagram





<b>2.01</b>	<b>Post ramp reference {83}</b>															
<b>Coding</b>	Bit	SP	FI	DE	Txt	VM	DP	ND	RA	NC	NV	PT	US	RW	BU	PS
			1			1	1	1		1		1				
<b>Range</b>	±1500.0Hz															
<b>Update rate</b>	21ms															

Although the range for scaling purposes is ±1500 Hz, the actual parameter value can be increased beyond this range by the current limit controller (up to 20% > than the maximum frequency).

This is shown on the drive's display when Pr 23 is set to Fr (default).

<b>2.02</b>	<b>Unused parameter</b>															
-------------	-------------------------	--	--	--	--	--	--	--	--	--	--	--	--	--	--	--

<b>2.03</b>	<b>Ramp hold</b>															
<b>Coding</b>	Bit	SP	FI	DE	Txt	VM	DP	ND	RA	NC	NV	PT	US	RW	BU	PS
	1												1	1		
<b>Default</b>	OFF(0)															
<b>Update rate</b>	128ms															

0: OFF Ramp hold disabled

1: On Ramp hold enabled

If this bit is set the ramp will be held. If S ramp is enabled the acceleration will ramp towards zero causing the ramp output to curve towards a constant speed. If a drive stop is demanded the ramp hold function is disabled.

<b>2.04</b>	<b>Ramp mode select {30}</b>															
<b>Coding</b>	Bit	SP	FI	DE	Txt	VM	DP	ND	RA	NC	NV	PT	US	RW	BU	PS
													1	1	1	
<b>Range</b>	0 to 3															
<b>Default</b>	1															
<b>Update rate</b>	Background															

This parameter has 4 settings as follows:

0: Fast ramp

1: Standard ramp with normal motor voltage

2: Standard ramp with high motor voltage

3: Fast ramp with high motor volts

The acceleration ramp is not affected by the ramp mode, and the ramp output will rise at the programmed acceleration rate (subject to the current limits programmed).

#### Fast Ramp

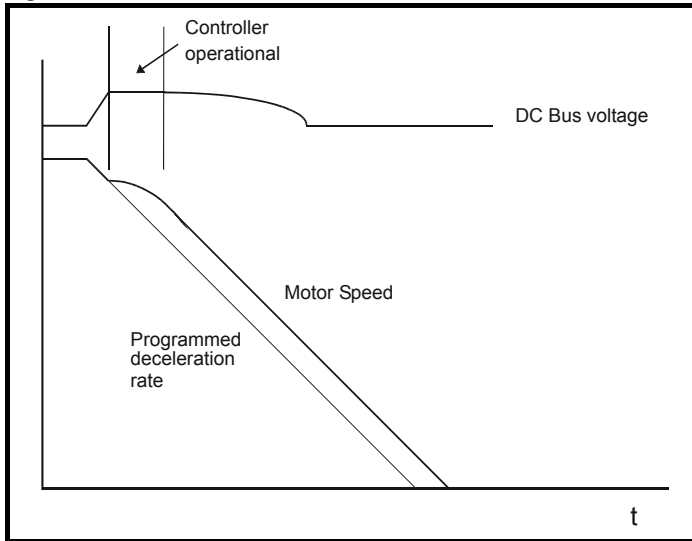
In modes 0 and 3, the output of the ramp will fall at the programmed deceleration rate (subject to the current limits programmed). The DC Bus voltage controller is not active in these modes.

#### Standard Ramp

In modes 1 & 2, the voltage rising to the standard ramp level (Pr 2.08) causes a proportional controller to operate, the output of which changes the demanded current in the motor. As the controller regulates the bus voltage, the motor decelerates at a faster and faster rate as it approaches zero speed. When the motor deceleration rate reaches the programmed deceleration rate the controller ceases to operate and the drive continues to decelerate at the programmed rate. If the standard ramp voltage (Pr 2.08) is set lower than the nominal DC bus level the drive will not decelerate but will coast to rest.

The current demand is fed to the frequency changing current controller and therefore the gain parameters, Pr 4.13 and Pr 4.14 must be set up for optimum control.

Figure 10-8



In modes 0 and 1 the motor voltage is correctly set according to the motor rated voltage parameter, while in modes 2 and 3 the motor voltage is allowed to go up to a factor of 1.2 times its normal value during deceleration. This higher voltage saturates the motor which increases the losses in the motor and therefore reduces the amount of energy transferring from the motor to the DC bus for a given deceleration rate. For a given amount of energy being dissipated by the drive at the regulated DC bus level, modes 2 and 3 will allow a faster deceleration than modes 0 and 1, providing that the motor can stand the extra losses being dissipated in it.

**NOTE**

Mode 0 is normally selected when using a braking resistor (mode 3 can be selected if desired but will cause the motor to heat up more due to the higher losses in the motor when compared to mode 0)

<b>2.05</b>	<b>Unused parameter</b>
-------------	-------------------------

<b>2.06</b>	<b>S ramp enable</b>															
<b>Coding</b>	Bit	SP	FI	DE	Txt	VM	DP	ND	RA	NC	NV	PT	US	RW	BU	PS
	1												1	1		
<b>Default</b>	OFF(0)															
<b>Update rate</b>	Background															

- 0: OFF S ramp disabled
- 1: On S ramp enabled

Setting this parameter enables the S ramp function. S ramp is disabled during deceleration when the standard ramp voltage controller is active. When the motor is accelerated again after decelerating in standard ramp the acceleration ramp used by the S ramp function is reset to zero.

**NOTE**

The S ramp function is only available if the acceleration and deceleration rates are specified in s/100Hz (Pr 2.39 = 1).

<b>2.07</b>	<b>S ramp acceleration limit</b>															
<b>Coding</b>	Bit	SP	FI	DE	Txt	VM	DP	ND	RA	NC	NV	PT	US	RW	BU	PS
							1						1	1	1	
<b>Range</b>	0.0 to 300.0s <sup>2</sup> /100Hz															
<b>Default</b>	3.1															
<b>Update rate</b>	Background															

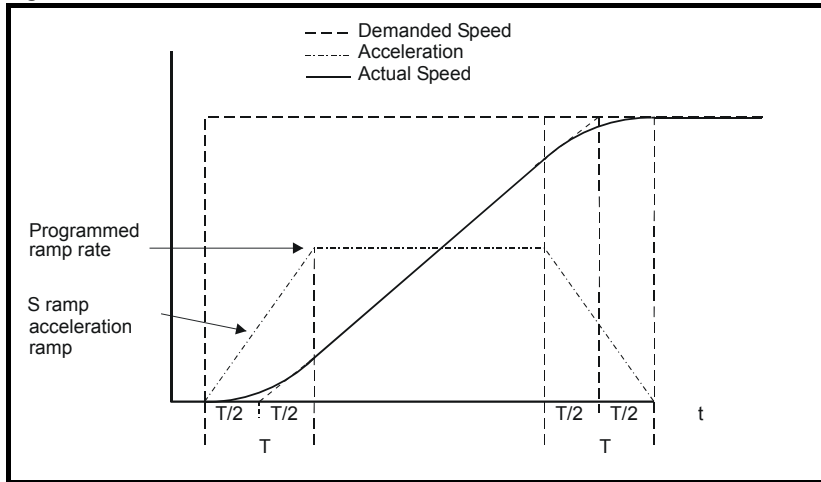
This parameter defines the maximum rate of change of acceleration that the drive will operate with.

The default values have been chosen such that for the default ramps and maximum speed, the curved parts of the S will be 25% of the original ramp if S ramp is enabled.

**NOTE**

It is not advisable to set this parameter to 0.1s<sup>2</sup>/100Hz, with an acceleration rate of 0.1s/100Hz as the system may become unstable.

**Figure 10-9**



Since the ramp rate is defined in s/100Hz (s/1000Hz when Pr 2.39 = 0) and the S ramp parameter is defined in s<sup>2</sup>/100Hz (s<sup>2</sup>/1000Hz when Pr 2.39 = 0), the time T for the 'curved' part of the S can be determined quite easily by dividing the two variables thus:

$$T = \text{S ramp rate of change} / \text{Ramp rate}$$

Enabling S ramp increases the total ramp time by the period T since an additional T/2 is added to each end of the ramp in producing the S.

<b>2.08</b>	<b>Standard ramp voltage</b>															
<b>Coding</b>	Bit	SP	FI	DE	Txt	VM	DP	ND	RA	NC	NV	PT	US	RW	BU	PS
<b>Range</b>	0 to DC_VOLTAGE_SET_MAX V															
<b>Default</b>	110V rating drive: 375 200V rating drive: 375 400V rating drive: Eur: 750, USA: 775 575V rating drive: 895 690V rating drive: 1075															
<b>Update rate</b>	Background															

This voltage is used as the level for standard ramp modes. If it is set too low the machine will coast to rest, and if it is set too high and no braking resistor is used it may trip on OV. The minimum level should be greater than the voltage produced on the DC bus by the highest supply voltage.

Normally the DC bus voltage will be approximately the rms supply voltage x  $\sqrt{2}$

**NOTE**

If the output frequency does not decrease in 10 seconds after the drive has been given a stop command, the drive will disable. This can occur at low speeds with long cables on a soft supply.

<b>2.09</b>	<b>Unused parameter</b>
-------------	-------------------------

<b>2.10</b>	<b>Acceleration rate selector</b>															
<b>Coding</b>	Bit	SP	FI	DE	Txt	VM	DP	ND	RA	NC	NV	PT	US	RW	BU	PS
<b>Range</b>	0 to 9															
<b>Default</b>	0															
<b>Update rate</b>	5ms															

The acceleration rate is selected as follows.

- 0 Ramp rate selection by terminal input
- 1 to 8 Ramp rate defined by parameter number, i.e. 1 = Pr 2.11, 2 = Pr 2.12, etc.
- 9 Ramp rate selection by parameter Pr 1.50

When parameter Pr 2.10 is set to 0 the acceleration ramp rate selected depends on the state of bit parameters Pr 2.32 to Pr 2.34. These bits are for control by digital inputs such that ramp rates can be selected by external control. The ramp rate selected depends on the binary code generated by these bits as follows:

Pr 2.34	Pr 2.33	Pr 2.32	Ramp defined by
0	0	0	Pr 2.11
0	0	1	Pr 2.12
0	1	0	Pr 2.13
0	1	1	Pr 2.14
1	0	0	Pr 2.15
1	0	1	Pr 2.16
1	1	0	Pr 2.17
1	1	1	Pr 2.18

When parameter Pr 2.10 is set to 9 the appropriate acceleration rate is automatically selected depending on the value of parameter Pr 1.50, and so an acceleration rate can be programmed to operate with each reference. Since the new ramp rate is selected with the new reference, the acceleration applies towards the selected preset if the motor needs to accelerate to reach the preset.

2.11	Acceleration rate 1 {03}															
2.12	Acceleration rate 2															
2.13	Acceleration rate 3															
2.14	Acceleration rate 4															
2.15	Acceleration rate 5															
2.16	Acceleration rate 6															
2.17	Acceleration rate 7															
2.18	Acceleration rate 8															
Coding	Bit	SP	FI	DE	Txt	VM	DP	ND	RA	NC	NV	PT	US	RW	BU	PS
							1						1	1	1	
Range	0 to 3200.0s/100 Hz (or s/10Hz or s/1000Hz if Pr 2.39 = 0 or 2)															
Default	5.0															
Second motor parameter	Pr 21.04 for parameter Pr 2.11 only															
Update rate	5ms															

#### NOTE

When switching between preset speeds and using the preset acceleration ramps, the acceleration ramp used is the one associated to the target preset speed, i.e. if switching from preset speed 3 to preset speed 4, acceleration rate 4 would be used.

If enabling and running to a preset speed using the Run Forward and Run Reverse terminals, the preset acceleration ramp used will be the one associated to the preset speed being run to.

2.19	Jog acceleration rate															
Coding	Bit	SP	FI	DE	Txt	VM	DP	ND	RA	NC	NV	PT	US	RW	BU	PS
							1						1	1	1	
Range	0 to 3200.0s/100 Hz (or s/10Hz or s/1000Hz if Pr 2.39 = 0 or 2)															
Default	0.2															
Update rate	5ms															

The jog acceleration rate is only used when accelerating towards the jog reference and when changing the jog reference.

There are eight acceleration rates programmable for normal operation, plus one for jogging. The ramp rates are expressed as a time for a change of 100 Hz on the ramp output, therefore with a programmed ramp time of 5 seconds the ramp output will reach 50 Hz from 0 in 2.5 seconds (depending on the setting of Pr 2.39).

2.20	Deceleration rate selector															
Coding	Bit	SP	FI	DE	Txt	VM	DP	ND	RA	NC	NV	PT	US	RW	BU	PS
													1	1	1	
Range	0 to 9															
Default	0															
Update rate	5ms															

The deceleration rate is selected as follows.

- 0 Ramp rate selection by terminal input
- 1 - 8 Ramp rate defined by parameter number, i.e. 1 = Pr 2.21, 2 = Pr 2.22, etc.
- 9 Ramp rate selection by parameter Pr 1.50

When parameter Pr 2.20 is set to 0 the deceleration ramp rate selected depends on the state of bit parameters Pr 2.35 to Pr 2.37. These bits are for control by digital inputs such that ramp rates can be selected by external control. The ramp rate selected depends on the binary code generated by these bits as follows:

Pr 2.37	Pr 2.36	Pr 2.35	Ramp defined by
0	0	0	Pr 2.21
0	0	1	Pr 2.22
0	1	0	Pr 2.23
0	1	1	Pr 2.24
1	0	0	Pr 2.25
1	0	1	Pr 2.26
1	1	0	Pr 2.27
1	1	1	Pr 2.28

When parameter Pr 2.20 is set to 9 the appropriate deceleration rate is automatically selected depending on the value of parameter Pr 1.50, and so a deceleration rate can be programmed to operate with each reference. Since the new ramp rate is selected with the new reference, the deceleration applies towards the selected preset if the motor needs to decelerate to reach the preset.

<b>2.21</b>	<b>Deceleration rate 1 {04}</b>															
<b>2.22</b>	<b>Deceleration rate 2</b>															
<b>2.23</b>	<b>Deceleration rate 3</b>															
<b>2.24</b>	<b>Deceleration rate 4</b>															
<b>2.25</b>	<b>Deceleration rate 5</b>															
<b>2.26</b>	<b>Deceleration rate 6</b>															
<b>2.27</b>	<b>Deceleration rate 7</b>															
<b>2.28</b>	<b>Deceleration rate 8</b>															
<b>Coding</b>	Bit	SP	FI	DE	Txt	VM	DP	ND	RA	NC	NV	PT	US	RW	BU	PS
							1						1	1	1	
<b>Range</b>	0 to 3200.0 s/100 Hz (or s/10Hz or s/1000Hz if Pr 2.39 = 0 or 2)															
<b>Default</b>	10.0															
<b>Second motor parameter</b>	Pr 21.05 for parameter Pr 2.21 only															
<b>Update rate</b>	5ms															

**NOTE**

When switching between preset speeds and using the preset deceleration ramps, the deceleration ramp used is the one associated to the target preset speed, i.e. if switching from preset speed 3 to preset speed 4 deceleration rate 4 would be used.

If enabling and running to a preset speed using the Run Forward and Run Reverse terminals, the preset deceleration ramp used will be the one associated to the preset speed being run to.

<b>2.29</b>	<b>Jog deceleration rate</b>															
<b>Coding</b>	Bit	SP	FI	DE	Txt	VM	DP	ND	RA	NC	NV	PT	US	RW	BU	PS
							1						1	1	1	
<b>Range</b>	0 to 3200.0 s/100 Hz (or s/10Hz or s/1000Hz if Pr 2.39 = 0 or 2)															
<b>Default</b>	0.2															
<b>Update rate</b>	5ms															

The jog deceleration rate is only used when the drive is changing speed because the jog reference has changed or to stop from the jog reference. It is not used to go from the jog to the run state. This prevents the fast ramps normally used with jog from being used when changing between running and jogging.

There are eight deceleration rates programmable for normal operation, plus one for jogging. The ramp rates are expressed as a time for a change of 100 Hz on the ramp output, therefore with a programmed ramp time of 5 seconds the ramp output will go from 50 Hz to 0 in 2.5 seconds (depending on the setting of Pr 2.39).

<b>2.30</b>	<b>Acceleration selected indicator</b>															
<b>Coding</b>	Bit	SP	FI	DE	Txt	VM	DP	ND	RA	NC	NV	PT	US	RW	BU	PS
								1		1		1			1	
<b>Range</b>	1 to 8															
<b>Update rate</b>	5ms															

<b>2.31</b>	<b>Deceleration selected indicator</b>															
<b>Coding</b>	Bit	SP	FI	DE	Txt	VM	DP	ND	RA	NC	NV	PT	US	RW	BU	PS
								1		1		1			1	
<b>Range</b>	1 to 8															
<b>Update rate</b>	5ms															

<b>2.32</b>	<b>Acceleration select bit 0</b>															
<b>2.33</b>	<b>Acceleration select bit 1</b>															
<b>2.34</b>	<b>Acceleration select bit 2</b>															
<b>2.35</b>	<b>Deceleration select bit 0</b>															
<b>2.36</b>	<b>Deceleration select bit 1</b>															
<b>2.37</b>	<b>Deceleration select bit 2</b>															
<b>Coding</b>	Bit	SP	FI	DE	Txt	VM	DP	ND	RA	NC	NV	PT	US	RW	BU	PS
	1									1				1		
<b>Default</b>	OFF(0)															
<b>Update rate</b>	5ms															

These bits are provided for control by logic input terminals for external ramp selection (see Pr 2.10 on page 51 & Pr 2.20 on page 52).

<b>2.38</b>	<b>Unused parameter</b>															
-------------	-------------------------	--	--	--	--	--	--	--	--	--	--	--	--	--	--	--

<b>2.39</b>	<b>Ramp rate units</b>															
<b>Coding</b>	Bit	SP	FI	DE	Txt	VM	DP	ND	RA	NC	NV	PT	US	RW	BU	PS
													1	1		
<b>Range</b>	0 to 2															
<b>Default</b>	1															
<b>Update rate</b>	Background															

This parameter can select 3 different ramp rates, as follows:

- 0: s/1000Hz
- 1: s/100Hz(default)
- 2: s/10Hz

Therefore, for 0 to 50Hz:

- 0: Maximum ramp time of 160 seconds, resolution 0.005s
- 1: Maximum ramp time of 1600 seconds, resolution 0.05s
- 2: Maximum ramp time of 16000 seconds (>4 hours), resolution 0.5s

**Example:**

If Pr 2.11 *Acceleration rate 1* is set to 10, the following acceleration time would apply according to the value of Pr 2.39:

Pr 2.39	0 to 100Hz	0 to 50Hz
0	1s	0.5s
1	10s	5s
2	100s	50s

## 10.4 Menu 3: Speed sensing thresholds and frequency input and output

Table 10-5 Menu 3 parameters: single line descriptions

Parameter	Range	Default	Setting	Update Rate
3.01	Not used			
3.02	Not used			
3.03	Not used			
3.04	Not used			
3.05	Zero speed threshold	0.0 to 20.0 Hz	1.0	BR
3.06	At speed window	0.0 to 20.0 Hz	1.0	BR
3.07	Not used			
3.08	Not used			
3.09	Not used			
3.10	Not used			
3.11	Not used			
3.12	Not used			
3.13	Not used			
3.14	Not used			
3.15	Not used			
3.16	Not used			
3.17	Frequency output or PWM output scaling	0.000 to 4.000	1.000	BR
3.18	Maximum output frequency	1 to 10 kHz	5	B
3.19	Not used			
3.20	Not used			
3.21	Not used			
3.22	Hard frequency reference	±1500.0 Hz	0.0	128 ms
3.23	Hard frequency reference selector	OFF(0) or On(1)	OFF(0)	5 ms
3.24	Not used			
3.25	Not used			
3.26	Not used			
3.27	Not used			
3.28	Not used			
3.29	Position	0 to 9999		B
3.30	Not used			
3.31	Not used			
3.32	Position counter reset	OFF(0) or On(1)	OFF(0)	B
3.33	Position scaling numerator	0.000 to 1.000	1.000	B
3.34	Position scaling denominator	0.0 to 100.0	1.0	B
3.35	Not used			
3.36	Not used			
3.37	Not used			
3.38	Not used			
3.39	Not used			
3.40	Not used			
3.41	Not used			
3.42	Not used			
3.43	Maximum reference frequency	0.0 to 50.0 kHz	10.0	B
3.44	Frequency reference scaling	0.000 to 4.000	1.000	B
3.45	Frequency reference	0.0 to 100.0%		5 ms

Figure 10-10 Menu 3A logic diagram

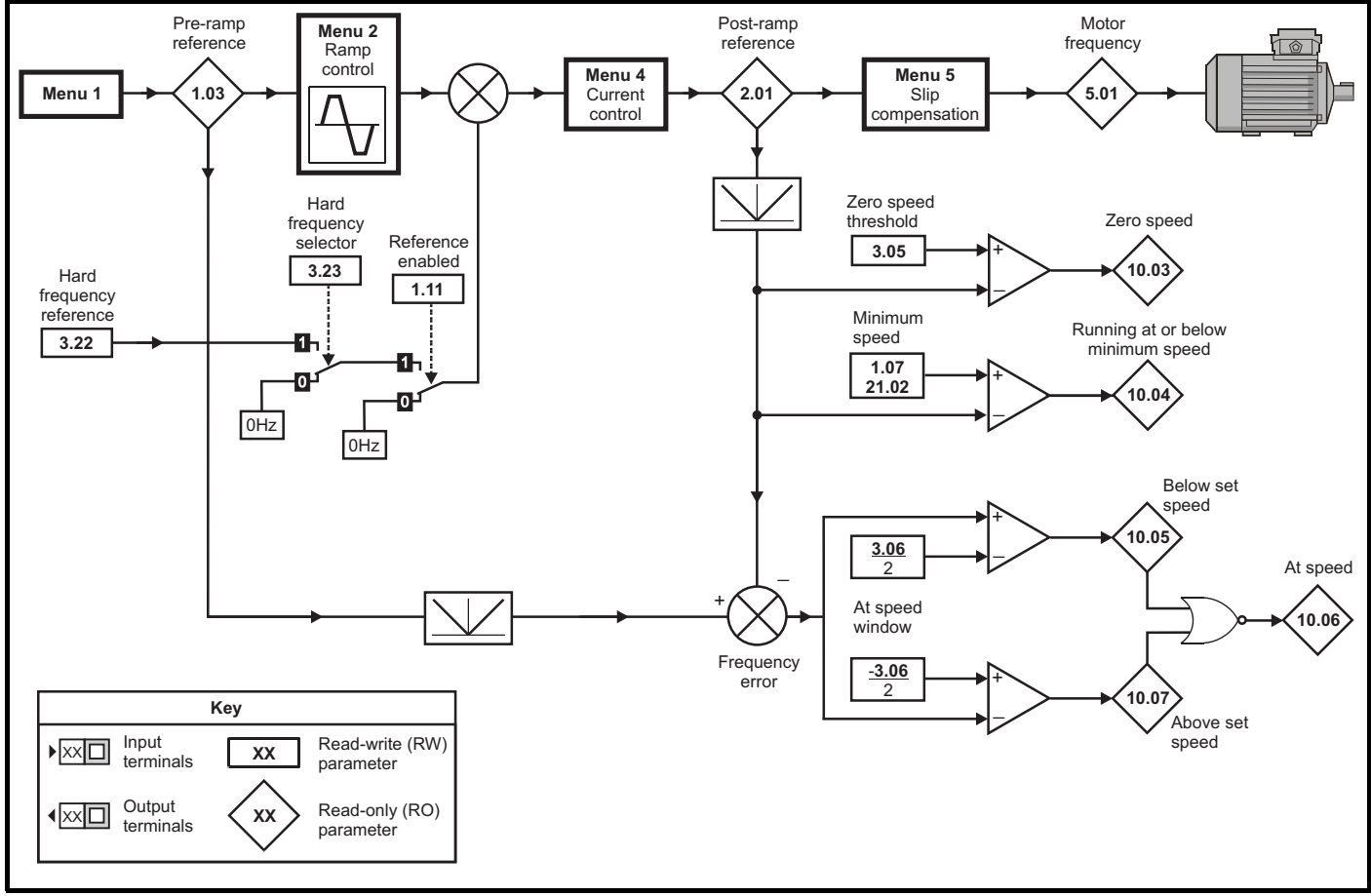
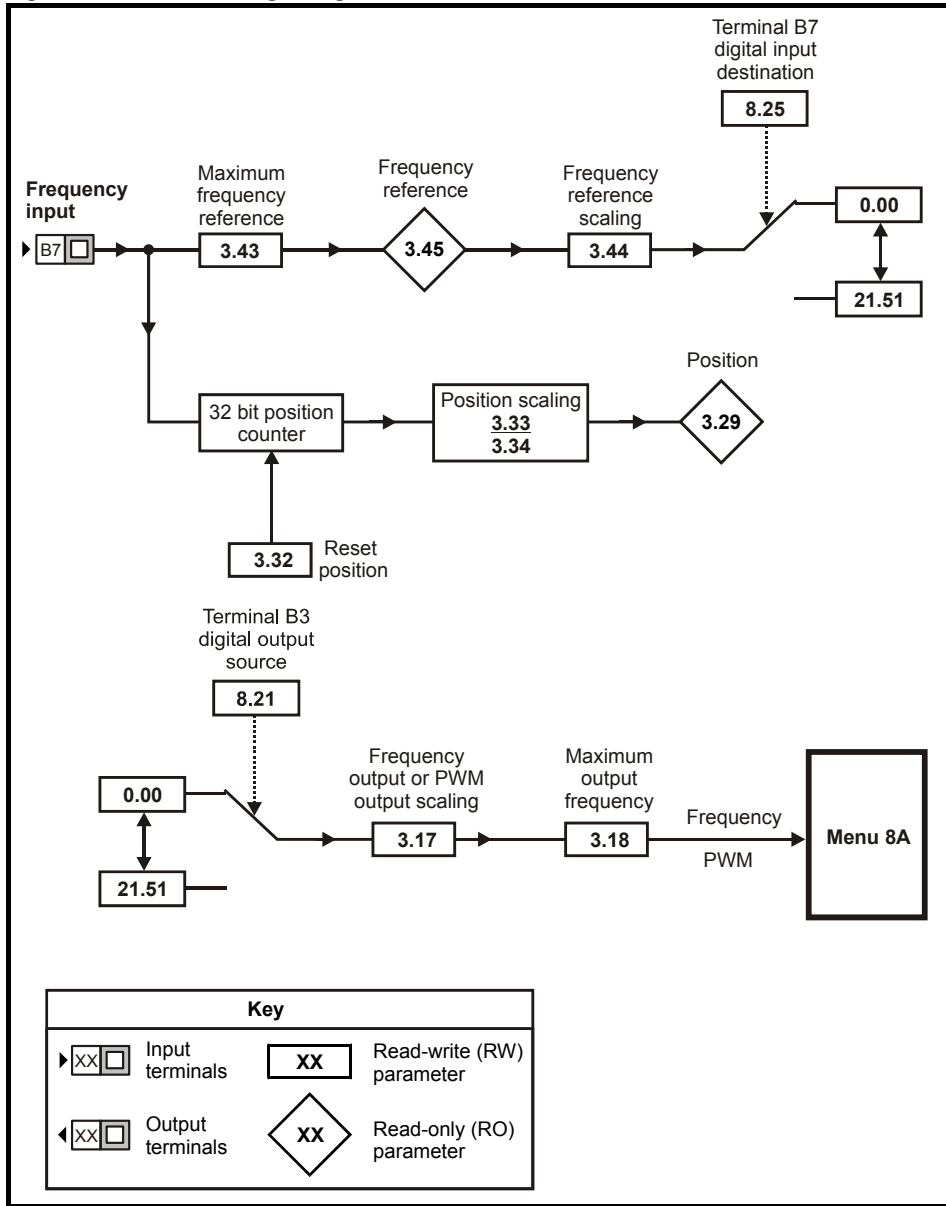




Figure 10-11 Menu 3B logic diagram



Key			
▶XX□	Input terminals	XX	Read-write (RW) parameter
◀XX□	Output terminals	XX	Read-only (RO) parameter

### Frequency input and output

The frequency input is used as a speed reference. In some applications, a frequency input from a controller is used in preference to a 0 to +10V or 4 to 20mA signal.

This frequency input is converted into a frequency reference percentage (Pr 3.45) and this percentage value is used to provide the speed reference (as Pr 7.01 and Pr 7.02 in Menu 7).

This frequency input cannot be used for frequency slaving.

The frequency input and output are not 'locked' together or synchronised within the drive. The frequency input is used as a speed reference and from this input, the software calculates the correct frequency to put on to the output. The threshold is 10V for a frequency input.

### 3.01 to 3.04 Unused parameters

3.05	Zero speed threshold															
Coding	Bit	SP	FI	DE	Txt	VM	DP	ND	RA	NC	NV	PT	US	RW	BU	PS
							1						1	1	1	
Range	0.0 to 20.0 Hz															
Default	1.0															
Update rate	Background read															

If the post ramp reference (Pr 2.01) is at or below the level defined by this parameter in either direction the Zero speed flag (Pr 10.03) is On(1), otherwise the flag is OFF(0).

3.06	At speed window															
Coding	Bit	SP	FI	DE	Txt	VM	DP	ND	RA	NC	NV	PT	US	RW	BU	PS
							1						1	1	1	
Range	0.0 to 20.0 Hz															
Default	1.0															
Update rate	Background read															

This parameter defines the 'At speed' window which is the boundary around the set speed point in which an 'At speed' indication is given (Pr 10.06 = On(1)). The 'At speed' window is thus defined as Set speed  $\pm$ (Pr 3.06 / 2).

The speed detector system also includes an overspeed trip. The level cannot be set by the user, but the drive produces an overspeed trip if the output frequency (Pr 5.01) exceeds 1.2 x Maximum frequency and regenerating and in current limit.

### 3.07 to 3.16 Unused parameters

3.17	Frequency output or PWM output scaling															
Coding	Bit	SP	FI	DE	Txt	VM	DP	ND	RA	NC	NV	PT	US	RW	BU	PS
							3						1	1	1	
Range	0.000 to 4.000															
Default	1.000															
Update rate	Background read															

Scale factor applied to the frequency or PWM output.

3.18	Maximum output frequency or maximum PWM output frequency															
Coding	Bit	SP	FI	DE	Txt	VM	DP	ND	RA	NC	NV	PT	US	RW	BU	PS
													1	1	1	
Range	1, 2, 5 and 10kHz (0 to 3)															
Default	5(2)															
Update rate	Background															

Defines the maximum frequency required at the frequency/PWM output. The choice of maximum output frequency depends on the requirement of the output. Due to limitations in the hardware, higher output frequencies do not offer the best resolution at the top end of the frequency range.

Pr 3.18	Fmax (kHz) (On display)	Resolution at Fmax
0	1	10 bit
1	2	9
2	5	8
3	10	7

<b>3.19 to 3.21</b>	<b>Unused parameters</b>
---------------------	--------------------------

<b>3.22</b>	<b>Hard frequency reference</b>															
<b>Coding</b>	Bit	SP	FI	DE	Txt	VM	DP	ND	RA	NC	NV	PT	US	RW	BU	PS
						1	1						1	1		
<b>Range</b>	±1500.0 Hz															
<b>Default</b>	0.0															
<b>Update rate</b>	128 ms															

<b>3.23</b>	<b>Hard frequency reference selector</b>															
<b>Coding</b>	Bit	SP	FI	DE	Txt	VM	DP	ND	RA	NC	NV	PT	US	RW	BU	PS
	1												1	1		
<b>Default</b>	OFF(0)															
<b>Update rate</b>	5 ms															

0: OFF Hard frequency reference disabled

1: On Hard frequency reference enabled

The hard frequency reference is a reference value which does not pass through the ramp system (Menu 2). It is added to the normal post ramp frequency reference. The hard frequency reference is selected when Pr 3.23 = On(1).

**NOTE**

Large changes in value may cause the drive to trip OI.AC.

<b>3.24 to 3.28</b>	<b>Unused parameters</b>
---------------------	--------------------------

<b>3.29</b>	<b>Position</b>															
<b>Coding</b>	Bit	SP	FI	DE	Txt	VM	DP	ND	RA	NC	NV	PT	US	RW	BU	PS
								1		1		1			1	1
<b>Range</b>	0 to 9999															
<b>Update rate</b>	Background															

Indicates the current value of the position counter.

<b>3.30 to 3.31</b>	<b>Unused parameters</b>
---------------------	--------------------------

<b>3.32</b>	<b>Position counter reset</b>															
<b>Coding</b>	Bit	SP	FI	DE	Txt	VM	DP	ND	RA	NC	NV	PT	US	RW	BU	PS
	1									1				1		
<b>Default</b>	OFF(0)															
<b>Update rate</b>	Background															

<b>3.33</b>	<b>Position scaling numerator</b>															
<b>Coding</b>	Bit	SP	FI	DE	Txt	VM	DP	ND	RA	NC	NV	PT	US	RW	BU	PS
							3						1	1	1	
<b>Range</b>	0.000 to 1.000															
<b>Default</b>	1.000															
<b>Update rate</b>	Background															

3.34	Position scaling denominator															
Coding	Bit	SP	FI	DE	Txt	VM	DP	ND	RA	NC	NV	PT	US	RW	BU	PS
							1						1	1	1	
Range	0.0 to 100.0															
Default	1.0															
Update rate	Background															

Pr 3.33 and Pr 3.44 are used to scale the pulse counter down to the required position units. The multiplying factor applied to the counter is defined as:

Pr3.33  
Pr3.34

3.35 to 3.42	Unused parameters
--------------	-------------------

3.43	Maximum reference frequency															
Coding	Bit	SP	FI	DE	Txt	VM	DP	ND	RA	NC	NV	PT	US	RW	BU	PS
							1						1	1	1	
Range	0.0 to 50.0 kHz															
Default	10.0															
Update rate	Background															

The table below shows how the resolution decreases as the maximum reference frequency decreases:

Maximum reference frequency	Resolution
6kHz – 50kHz	11 bits
3kHz – 6kHz	10 bits
1.5kHz – 3kHz	9 bits
750Hz – 1.5kHz	8 bits
375Hz – 750Hz	7 bits

#### Example:

With Pr 3.43 set to 10kHz and the destination parameter (Pr 8.25) set to preset speed 1 (Pr 1.21).

When the input frequency on terminal B7 is 10kHz, preset speed 1 will be 50Hz (Pr 1.06 = 50Hz, Eur defaults). This will have a resolution of 11 bits.

#### Frequency input with High Resolution

When Pr 8.35 is set to 3 (Frequency input with high resolution) this gives a 12 bit input for maximum reference frequencies of 12kHz and greater. Pr 1.19 is automatically updated with the 2 LSBs.

#### Example:

With a maximum reference frequency of 12kHz, the resolution is 12 bits.

With a maximum reference frequency of 2kHz, the resolution is 9 bits.

3.44	Frequency reference scaling															
Coding	Bit	SP	FI	DE	Txt	VM	DP	ND	RA	NC	NV	PT	US	RW	BU	PS
							3						1	1	1	
Range	0.000 to 4.000															
Default	1.000															
Update rate	Background															

Scale factor applied to the frequency reference.

3.45	Frequency reference															
Coding	Bit	SP	FI	DE	Txt	VM	DP	ND	RA	NC	NV	PT	US	RW	BU	PS
							1	1		1		1			1	
Range	0.0 to 100.0%															
Update rate	5 ms															

Indicates the percentage of the frequency input value, up to the maximum reference frequency (Pr 3.43).

## 10.5 Menu 4: Current control

Table 10-6 Menu 4 parameters: single line descriptions

Parameter	Range	Default	Setting	Update Rate
4.01 Current magnitude (motor current) {88}	0 to DRIVE_CURRENT_MAX A			B
4.02 Motor active current {89}	±DRIVE_CURRENT_MAX A			B
4.03 Not used				
4.04 Current demand	± TORQUE_PROD_CURRENT_MAX%			B
4.05 Not used				
4.06 Not used				
4.07 Symmetrical current limit	0 to MOTOR1_CURRENT_LIMIT_MAX %	165.0		B
4.08 Torque reference	± USER_CURRENT_MAX%	0.0		B
4.09 Not used				
4.10 Not used				
4.11 Torque mode selector	OFF(0) or On(1)	OFF(0)		B
4.12 Not used				
4.13 Current controller Kp gain	0 to 250	20		B
4.14 Current controller Ki gain	0 to 250	40		B
4.15 Motor thermal time constant	0 to 250	89		B
4.16 Motor thermal protection mode	OFF(0) or On(1)	OFF(0)		B
4.17 Reactive current	±DRIVE_CURRENT_MAX A			B
4.18 Overriding current limit	0.0 to TORQUE_PROD_CURRENT_MAX%			B
4.19 Motor overload accumulator	0.0 to 100.0%			B
4.20 Percentage load	± USER_CURRENT_MAX%			B
4.21 Load display units {22}	Ld(0) or A(1)	Ld(0)		B
4.22 Not used				
4.23 Not used				
4.24 User current maximum scaling	0.0 to TORQUE_PROD_CURRENT_MAX%	165.0		B
4.25 Low speed thermal protection mode	OFF(0) or On(1)	OFF(0)		B
4.26 Percentage torque	± USER_CURRENT_MAX%			B
4.27 Reduce internal current loop response	OFF (0) or On (1)	OFF(0)		B



The scaling of the current feedback is based on the ratings of the drive as follows:

Level	x rated drive current
Over-current trip	2.2
Open-loop peak limit	1.75
Open-loop maximum standard operating current	1.5
Rated drive current	1.0
Maximum Normal Duty current rating	≤1.36*
Maximum motor rated current	≤1.36*

\* On drives that offer dual rating, the rated current can be increased above the rated drive current up to a level not exceeding 1.36 x drive rated current. The actual level varies from one drive size to another.

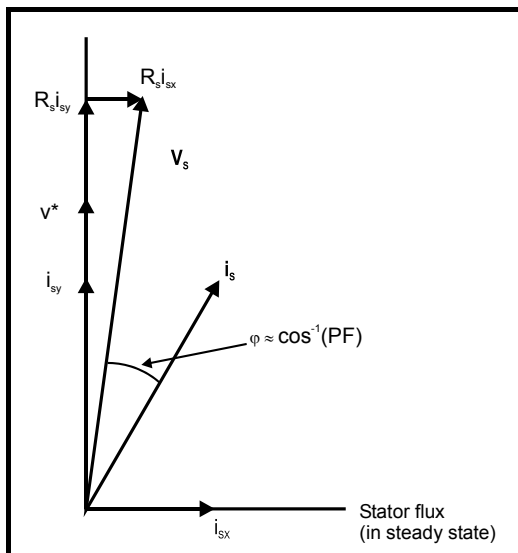
The drive has a current controller to give current limiting in frequency control mode and a torque controller in torque control mode. The active current is controlled by modification of the drive output frequency. Menu 4 provides parameters to set-up the current controller. Additional voltage based current control is provided to limit transients (peak-limit), but there are no user parameters to control this.

200V				400V				575V				690V			
Model	Rated drive current	Max Heavy Duty current rating	Max Normal Duty current rating	Model	Rated drive current	Max Heavy Duty current rating	Max Normal Duty current rating	Model	Rated drive current	Max Heavy Duty current rating	Max Normal Duty current rating	Model	Rated drive current	Max Heavy Duty current rating	Max Normal Duty current rating
2202	17	17	22	2401	13	13	15.3	3501	4.1	4.1	5.4	4601	19	19	22
2203	25	25	28	2402	16.5	16.5	21	3502	5.4	5.4	6.1	4602	22	22	27
3201	31	31	42	2403	23	25	29	3503	6.1	6.1	8.4	4603	27	27	36
3202	42	42	54	2404	26	26	29	3504	9.5	9.5	11	4604	36	36	43
4201	56	56	68	3401	32	32	35	3505	12	12	16	4605	43	43	52
4202	68	68	80	3402	40	40	43	3506	18	18	22	4606	52	52	62
4203	80	80	104	3403	46	46	56	3507	22	22	27	5601	63	63	84
				4401	60	60	68					5602	85	85	99
				4402	74	74	83					6601	85.7	100	125
				4403	96	96	104					6602	107.1	125	144
				5401	124	124	138								
				5402	156	156	168								
				6401	154.2	180	205								
				6402	180	210	236								

The drive operates in the stator flux reference frame under steady state conditions. The absolute maximum motor current is defined by the peak limit system as 1.75 x rated drive current. However, the drive does not normally operate at this level, but uses the peak limit system as protection against over-current trips. Under normal operation the motor current is limited to 1.50 x rated drive current, allowing a safety margin between the maximum normal operating current and the peak limit level.

DRIVE\_CURRENT\_MAX is full scale current feedback, i.e. rated drive current x 2.0.

The relationship between the voltage and current is shown in the following vector diagram.



**Definitions:**

- $v_s$  = motor terminal voltage vector
- $i_s$  = motor current vector
- $i_{sy}$  = y axis component of current
- $i_{sx}$  = x axis component of current
- $v^*$  = no load y axis voltage reference

MOTOR1\_CURRENT\_LIMIT\_MAX is used as the maximum for some parameters such as the user current limits. This is defined in the vector equation as follows (with a maximum of 1000%):

$$\text{MOTOR1\_CURRENT\_LIMIT\_MAX} = \frac{\sqrt{\left[\frac{\text{Maximum current}}{\text{Motor rated current}}\right]^2 + (\text{PF})^2 - 1}}{\text{PF}} \times 100\%$$

Where:

- Motor rated current is given by Pr **5.07**
- PF is motor rated power factor given by Pr **5.10**
- (MOTOR2\_CURRENT\_LIMIT\_MAX is calculated from the motor map 2 parameters)
- The Maximum current is (1.5 x Rated drive current) when the rated current set by Pr **5.07** (or Pr **21.07** if motor map 2 is selected) is less than or equal to the Maximum Heavy Duty current rating specified in Pr **11.32**, otherwise it is (1.1 x Maximum motor rated current).

For example, with a motor of the same rating as the drive and a power factor of 0.85, the maximum current limit is 165.2%.

The above calculation is based on the assumption that the flux producing current (Pr **4.17**) in the stator flux reference frame does not vary with load and remains at the level for rated load. This is not the case and the flux producing current will vary as the load is increased. Therefore the maximum current limit may not be reached before the drive reduces the current limit to prevent the peak limit from becoming active.

The rated active and rated magnetising currents are calculated from the power factor (Pr **5.10**) and motor rated current (Pr **5.07**) as:

- rated active current = power factor x motor rated current
- rated magnetising current =  $\sqrt{(1 - \text{power factor}^2)}$  x motor rated current

The drive uses the motor rated current and the power factor at rated load to set up the maximum current limits, scale the current limits correctly and calculate the rated active and magnetising currents. The user may enter the nameplate values in Pr **5.07** and Pr **5.10** respectively and the drive will operate satisfactorily. Alternatively the drive can perform an auto-tune test on the motor to measure the power factor at rated load by measuring  $R_s$  (stationary test),  $\sigma L_s$  (stationary test), and  $L_s$  (rotating test). See Pr **5.12** on page 77 for details.

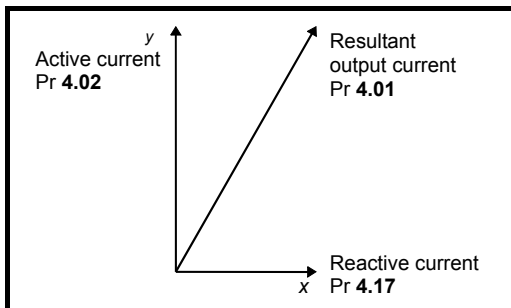
On Commander SK sizes 2 to 6, the ratio between maximum continuous current and maximum overload is less than on the smaller drives. This is handled in the software by specifying the 'drives rated current' as maximum current limit level / 1.5, the same as on the smaller drives. The current rating in Pr **11.32** is still the Heavy Duty rating of the drive, but because it is greater than the 'drive rating' figure used by the software, the current limit point will be less than 150% of the rating specified in Pr **11.32**.

The motor rated current (Pr **5.07**) may be increased above the drive current rating specified in Pr **11.32** up to a limit defined by the Maximum motor rated current. If the motor rated current is above the current rating specified in Pr **11.32**, the motor thermal protection scheme is modified (see Pr **4.16**).

In the following descriptions the term 'drive rated current' is the one used by the software, not the value in Pr **11.32**.

<b>4.01</b>	<b>Current magnitude (motor current) {88}</b>															
<b>Coding</b>	Bit	SP	FI	DE	Txt	VM	DP	ND	RA	NC	NV	PT	US	RW	BU	PS
			1			1	2	1		1		1			1	
<b>Range</b>	0 to DRIVE_CURRENT_MAX															
<b>Update rate</b>	Background															

This parameter is the r.m.s. current from each output phase of the drive. The phase currents consist of an active component and a reactive component. The three phase currents can be combined to form a resultant current vector as shown below:



The resultant current magnitude is displayed by this parameter. The active current is the torque producing current, and the reactive current is the magnetising or flux producing current.



<b>4.02</b>	<b>Motor active current {89}</b>															
<b>Coding</b>	Bit	SP	FI	DE	Txt	VM	DP	ND	RA	NC	NV	PT	US	RW	BU	PS
			1			1	2	1		1		1				
<b>Range</b>	±DRIVE_CURRENT_MAX A															
<b>Update rate</b>	Background															

The active current is the torque producing current in a motor drive.

Direction of active current	Direction of rotation	State and direction of rotation	Torque
+	+	Forward accelerating	Motoring (+)
-	+	Forward decelerating or braking	Regeneration (-)
+	-	Reverse decelerating or braking	Regeneration (-)
-	-	Reverse accelerating	Motoring (+)

The diagram above shows the magnetising and active current vectors. These are represented in x and y axes of a reference frame. Pr 4.02 gives the active current which is proportional to the length of the vector in the y axis and equivalent to the active phase current value in amps.

If the drive operates with **fixed boost** the y axis is aligned with the output voltage. Therefore the magnetising current represents the reactive component of current leaving the drive and the active current represents the real component of current leaving the drive. Therefore the active current produces torque and supplies the losses in the motor.

If the drive operates in **vector mode** (see Pr 5.14 on page 79) the x axis is aligned with the stator flux in the steady state, and so the active current should be proportional to the torque produced by the machine. The active current will give a good indication of the machine torque over most of the frequency range, however, the accuracy is reduced below 10Hz.

In both cases the relationship between the active current and motor torque will change once the maximum drive output voltage or the rated voltage of the motor set by Pr 5.09 is reached, whichever is the lowest. (Generally the maximum drive output voltage will be just below the r.m.s. line supply voltage.) Once one of these limits is reached the voltage is held constant and the motor flux reduces with frequency. This is referred to as field weakening or constant power operation. In this region the relationship between torque and active current is approximately as follows, where K is a constant related to the motor:

$$\text{Torque} = K \times \text{active current} \times \text{frequency at voltage limit} / \text{actual frequency}$$

Normally the point at which the voltage limit is reached is close to the rated frequency of the motor.

<b>4.03</b>	<b>Unused parameter</b>
-------------	-------------------------

<b>4.04</b>	<b>Current demand</b>															
<b>Coding</b>	Bit	SP	FI	DE	Txt	VM	DP	ND	RA	NC	NV	PT	US	RW	BU	PS
			1			1	1	1		1		1				
<b>Range</b>	±TORQUE_PROD_CURRENT_MAX %															
<b>Update rate</b>	Background															

The current demand is derived from the torque demand. If torque control mode is selected (Pr 4.11=On) this becomes the active current demand for the drive. The current demand is shown as a percentage of the rated active current, which is defined by the user set-up of the drive. Provided the motor is not field weakened, the torque and current demands are the same. In field weakening, the current demand is increased with reduced flux.

$$\text{Current demand} = \frac{\text{Pr 4.08} \times \text{Motor frequency (Pr 5.01)}}{\text{Rated frequency (Pr 5.06)}}$$

The current demand is subject to the current limits.

<b>4.05 to 4.06</b>	<b>Unused parameters</b>
---------------------	--------------------------

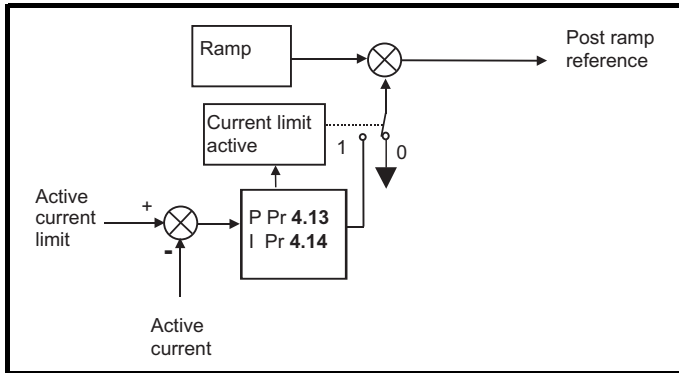
<b>4.07</b>	<b>Symmetrical current limit</b>															
<b>Coding</b>	Bit	SP	FI	DE	Txt	VM	DP	ND	RA	NC	NV	PT	US	RW	BU	PS
						1	1		1				1	1	1	
<b>Range</b>	0 to MOTOR1_CURRENT_LIMIT_MAX %															
<b>Default</b>	165.0															
<b>Second motor parameter</b>	Pr 21.29															
<b>Update rate</b>	Background															

$$\text{MOTOR1\_CURRENT\_LIMIT\_MAX} = \frac{\sqrt{\left[ \frac{\text{Maximum current}}{\text{Motor rated current}} \right]^2 + (\text{PF})^2 - 1}}{\text{PF}} \times 100\%$$

This parameter defines the current limit as a percentage of the rated active current. When the motor rated current is set lower than the drive rated current, the maximum value of this parameter increases to allow larger overloads.

Therefore, by setting the motor rated current to a lower value than the drive rated current, it is possible to have a current limit greater than 165%. An absolute maximum current limit of 999.9% is applied.

In frequency control mode (Pr 4.11 = OFF), the drive output frequency is modified if necessary to keep the active current within the current limits as shown below:



The active current limit is compared with the active current and if the current exceeds the limit the error value passes through the PI controller to give a frequency component which is used to modify the ramp output. The direction of the modification is always to reduce the frequency to zero if the active current is motoring, or to increase the frequency towards the maximum if the current is regenerating. Even when the current limit is active the ramp still operates, therefore the proportional and integral gains (Pr 4.13 and Pr 4.14) must be high enough to counter the effects of the ramp. For method of setting the gains see Pr 4.13 and Pr 4.14 on page 67.

In torque control mode the current demand is limited by the active current limit. For operation of this mode see Pr 4.11 on page 66.

When the current limit becomes active, the display will flash AC.Lt

<b>4.08</b>	<b>Torque reference</b>															
<b>Coding</b>	Bit	SP	FI	DE	Txt	VM	DP	ND	RA	NC	NV	PT	US	RW	BU	PS
						1	1						1	1		
<b>Range</b>	±USER_CURRENT_MAX%															
<b>Default</b>	0.0															
<b>Update rate</b>	Background															

This is the main torque reference parameter. A positive value is required for torque to be applied in the forward direction, and a negative value is required for torque to be applied in the reverse direction.

For a negative value, program a digital input to the analog input invert bit. This will give a negative value on the analog input destination parameter. This will allow the direction of rotation to be controlled by the polarity of the analog input.

If operating in torque control, due to small errors in current measurement at low frequencies, with zero torque reference and light loads, the drive may allow the motor to rotate. The direction of rotation while in torque control is determined by the polarity of the torque reference. Therefore, at power-up with zero torque reference and with the drive enabled, the motor may rotate in either direction. This is because any error in the current feedback maybe a positive or negative value. If the error is positive, the motor will rotate in the forward direction and if the error is negative, the motor will rotate in the reverse direction.

If it is necessary to guarantee the direction of rotation at power up while in torque control, a small positive or negative error must be present in Pr 4.08.

<b>4.09 to 4.10</b>	<b>Unused parameters</b>
---------------------	--------------------------

<b>4.11</b>	<b>Torque mode selector</b>															
<b>Coding</b>	Bit	SP	FI	DE	Txt	VM	DP	ND	RA	NC	NV	PT	US	RW	BU	PS
	1												1	1		
<b>Range</b>	OFF(0) or On(1)															
<b>Default</b>	OFF(0)															
<b>Update rate</b>	Background															

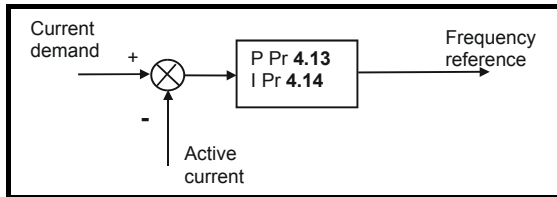
0: OFF Torque mode disabled

1: On Torque mode enabled

If this parameter is OFF(0) normal frequency control is used.

If this parameter is set to On(1) the current demand is connected to the current PI controller giving closed loop torque/current demand as shown below.

The current error is passed through proportional and integral terms to give a frequency reference. In motoring conditions and regeneration, the frequency reference is allowed to go up to the maximum programmed in menu 1 + 20% to allow for current control close to maximum speed.



**NOTE**

This parameter can be changed from OFF(0) to On(1) when the drive is still running, the drive does not have to be disabled or stopped etc.

**NOTE**

When torque control is enabled, slip compensation is automatically disabled to prevent overspeed trips (O.SPd)

**4.12 Unused parameter**

<b>4.13</b>	<b>Current controller Kp gain</b>															
<b>Coding</b>	Bit	SP	FI	DE	Txt	VM	DP	ND	RA	NC	NV	PT	US	RW	BU	PS
													1	1	1	
<b>Range</b>	0 to 250															
<b>Default</b>	20															
<b>Update rate</b>	Background															

See Pr 4.14 for details.

<b>4.14</b>	<b>Current controller Ki gain</b>															
<b>Coding</b>	Bit	SP	FI	DE	Txt	VM	DP	ND	RA	NC	NV	PT	US	RW	BU	PS
													1	1	1	
<b>Range</b>	0 to 250															
<b>Default</b>	40															
<b>Update rate</b>	Background															

These parameters control the proportional and integral gains of the current controller. As already mentioned the current controller either provides current limits or closed loop torque control by modifying the drive output frequency. The control loop is also used in its torque mode during mains loss, or when the controlled mode standard ramp is active and the drive is decelerating, to regulate the flow of current into the drive. Although the default settings have been chosen to give suitable gains for less demanding applications it may be necessary for the user to adjust the performance of the controller. The following is a guide to setting the gains for different applications.

**Current limit operation**

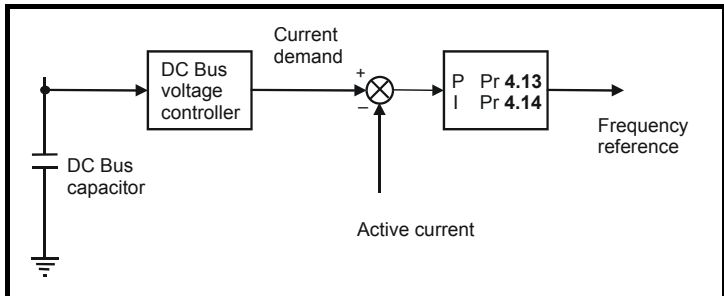
The current limits will normally operate with an integral term only, particularly below the point where field weakening begins. The proportional term is inherent in the loop. The integral term must be increased enough to counter the effect of the ramp which is still active even in current limit. For example, if the drive is operating at constant frequency and is overloaded the current limit system will try to reduce the output frequency to reduce the load. At the same time the ramp will try to increase the frequency back up to the demand level. If the integral gain is increased too far the first signs of instability will occur when operating around the point where field weakening begins. These oscillations can be reduced by increasing the proportional gain. A system has been included to prevent regulation because of the opposite actions of the ramps and the current limit. This can reduce the actual level that the current limit becomes active by 12.5%. This still allows the current to increase up to the current limit set by the user. However the current limit flag (Pr 10.09) could become active up to 12.5% below the current limit depending on the ramp rate used.

**Torque control**

Again the controller will normally operate with an integral term only, particularly below the point where field weakening begins. The first signs of instability will appear around rated speed, and can be reduced by increasing the proportional gain. The controller can be less stable in torque control mode rather than when it is used for current limiting. This is because load helps to stabilise the controller, and under torque control the drive may operate with light load. Under current limit the drive is often under heavy load unless the current limits are set at a low level.

**Mains loss and controlled standard ramp**

The DC bus voltage controller becomes active if mains loss detection is enabled and the drive supply is lost or controlled standard ramp is being used and the machine is regenerating. The DC bus controller attempts to hold the DC bus voltage at a fixed level by controlling the flow of current from the drive inverter into its DC bus capacitors. The output of the DC bus controller is a current demand which is fed into the current PI controller as shown below:



The DC bus controller gain is a function of DC bus capacitance and therefore is fixed internally. It may often be necessary to adjust the current controller gains to obtain the required performance. If the gains are not suitable it is best to set up the drive in torque control first. Set the gains to a value that does not cause instability around the point at which field weakening occurs. Then revert back to open loop speed control in standard ramp mode. To test the controller the supply should be removed while the motor is running. It is likely that the gains can be increased further if required because the DC bus voltage controller has a stabilising effect, provided that the drive is not required to operate in torque control mode.

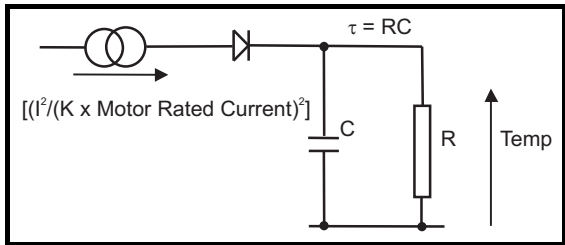
4.15 Motor thermal time constant	
Coding	Bit SP FI DE Txt VM DP ND RA NC NV PT US RW BU PS
Range	0 to 250 s
Default	89
Second motor parameter	Pr 21.16
Update rate	Background

See Pr 4.16 for details.

4.16 Motor thermal protection mode	
Coding	Bit SP FI DE Txt VM DP ND RA NC NV PT US RW BU PS
Range	OFF(0) or On(1)
Default	OFF(0)
Update rate	Background

- 0: OFF Trip when threshold reached
- 1: On Reduce current limit when threshold reached

The motor is modelled thermally in a way that is equivalent to the electrical circuit shown below:

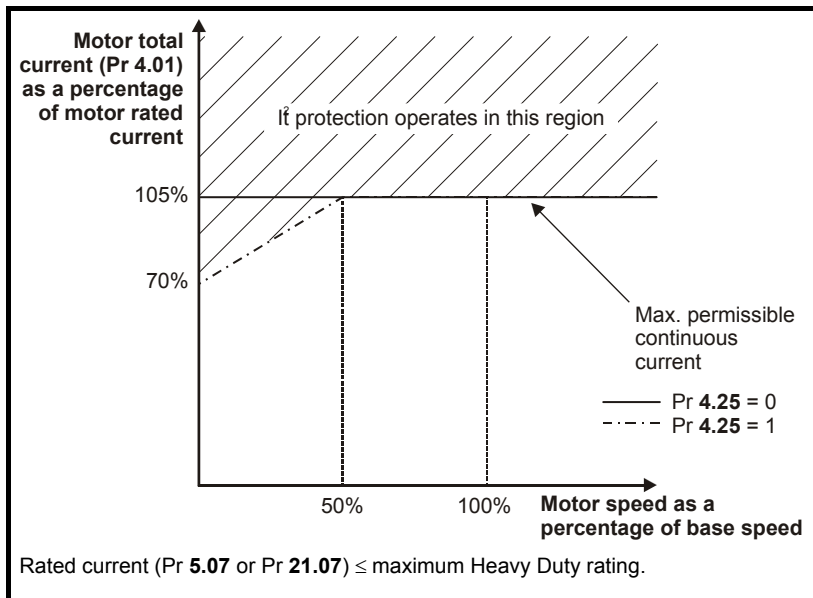


The temperature of the motor as a percentage of maximum temperature, with a constant current magnitude of I, constant value of K and constant value of motor rated current (set by Pr 5.07 or Pr 21.07) after time t is given by

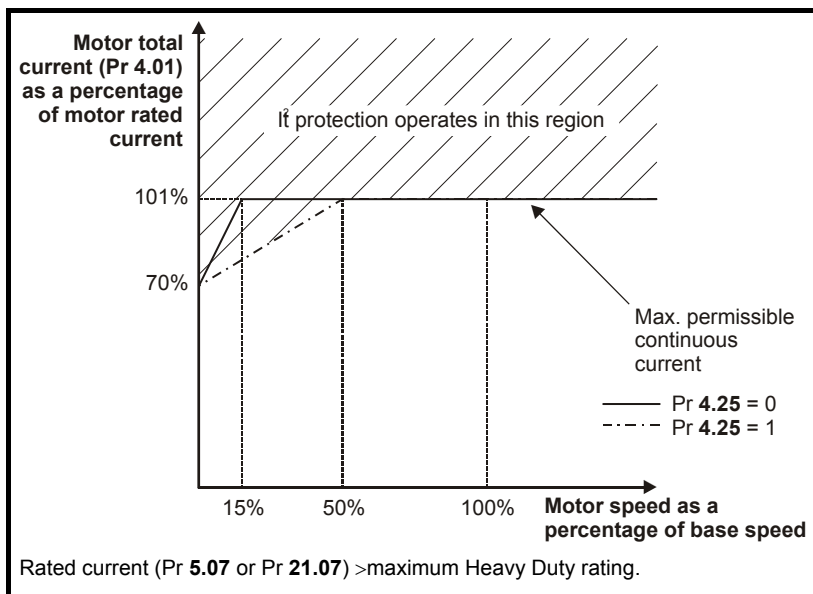
$$\text{Temp} = \left[ \frac{I^2}{(K \times \text{Motor rated current})^2} \right] (1 - e^{-t/\tau}) \times 100\%$$

This assumes that the maximum allowed motor temperature is produced by K x Motor rated current and that  $\tau$  is the thermal time constant of the point in the motor that reaches its maximum allowed temperature first.  $\tau$  is defined by Pr 4.15. The estimated motor temperature is given by Pr 4.19 as a percentage of maximum temperature. If Pr 4.15 has a value of 0 the thermal time constant is taken as 1.

If the rated current (defined by Pr 5.07 or Pr 21.07 depending on which motor is selected) is less or equal to the Maximum heavy duty rating then Pr 4.25 can be used to select 2 alternative protection characteristics (see diagram below). If Pr 4.25 is OFF(0) the characteristic is for a motor which can operate at rated current over the whole speed range. Induction motors with this type of characteristic normally have forced cooling. If Pr 4.25 is On(1) the characteristic is intended for motors where the cooling effect of motor fan reduces with reduced motor speed below half of rated speed. The maximum value for K is 1.05, so that above the knee of the characteristics the motor can operate continuously up to 105% current. Below the knee point, the drive will display OVL.d, with Pr 4.01 at 100% current.



If the rated current is above the maximum Heavy Duty rating then Pr 4.25 can also be used to select 2 alternative protection characteristics. Both characteristics are intended for motors where the cooling effect of the motor fan reduces with reduced motor speed, but with different speeds below which the cooling effect is reduced. The maximum value for K is 1.01, so that above the knee of the characteristics the motor can operate continuously up to 101% current.



When the estimated temperature reaches 100% the drive takes some action depending on the setting of Pr 4.16. If Pr 4.16 is OFF(0), the drive trips when the threshold is reached. If Pr 4.16 is On(1), the current limit is reduced to  $(K - 0.05) \times 100\%$  when the temperature is 100%. The current limit is set back to the user defined level when the temperature (Pr 4.19) falls below 95%.

The time for some action to be taken by the drive from cold with constant motor current is given by:

$$T_{\text{trip}} = -(\text{Pr } 4.15) \times \ln \left[ 1 - \left( \frac{K \times \text{Pr } 5.07}{\text{Pr } 4.01} \right)^2 \right]$$

Alternatively the thermal time constant can be calculated from the trip time with a given current from

$$\text{Pr } 4.15 = \frac{-T_{\text{trip}}}{\ln \left[ 1 - \left( \frac{K}{\text{Overload}} \right)^2 \right]}$$

For example, if the drive should trip after supplying 150% overload (Pr 4.01) for 60 seconds with K = 1.05 then

$$\text{Pr } 4.15 = \frac{-60}{\ln \left[ 1 - \left( \frac{1.05}{1.50} \right)^2 \right]} = 89$$

The thermal model temperature accumulator is reset to zero at power-up and accumulates the temperature of the motor while the drive remains powered-up. Each time parameter Pr 11.45 is changed to select a new motor, or the rated current defined by Pr 5.07 or Pr 21.07 (depending on the motor selected) is altered, the accumulator is reset to zero.

<b>4.17</b>	<b>Reactive current (motor magnetising current)</b>																																
<b>Coding</b>	<table border="1" style="width:100%; border-collapse: collapse;"> <tr> <th>Bit</th><th>SP</th><th>FI</th><th>DE</th><th>Txt</th><th>VM</th><th>DP</th><th>ND</th><th>RA</th><th>NC</th><th>NV</th><th>PT</th><th>US</th><th>RW</th><th>BU</th><th>PS</th> </tr> <tr> <td></td><td></td><td>1</td><td></td><td></td><td>1</td><td>2</td><td>1</td><td></td><td>1</td><td></td><td>1</td><td></td><td></td><td></td><td></td> </tr> </table>	Bit	SP	FI	DE	Txt	VM	DP	ND	RA	NC	NV	PT	US	RW	BU	PS			1			1	2	1		1		1				
Bit	SP	FI	DE	Txt	VM	DP	ND	RA	NC	NV	PT	US	RW	BU	PS																		
		1			1	2	1		1		1																						
<b>Range</b>	±DRIVE_CURRENT_MAX A																																
<b>Update rate</b>	Background																																

This parameter is proportional to the length of the vector in the x axis of the reference frame and is equivalent to the reactive current (magnetising current) in each output phase in amps.

<b>4.18</b>	<b>Overriding current limit</b>																																
<b>Coding</b>	<table border="1" style="width:100%; border-collapse: collapse;"> <tr> <th>Bit</th><th>SP</th><th>FI</th><th>DE</th><th>Txt</th><th>VM</th><th>DP</th><th>ND</th><th>RA</th><th>NC</th><th>NV</th><th>PT</th><th>US</th><th>RW</th><th>BU</th><th>PS</th> </tr> <tr> <td></td><td></td><td></td><td></td><td></td><td>1</td><td>1</td><td>1</td><td></td><td>1</td><td></td><td>1</td><td></td><td></td><td>1</td><td></td> </tr> </table>	Bit	SP	FI	DE	Txt	VM	DP	ND	RA	NC	NV	PT	US	RW	BU	PS						1	1	1		1		1			1	
Bit	SP	FI	DE	Txt	VM	DP	ND	RA	NC	NV	PT	US	RW	BU	PS																		
					1	1	1		1		1			1																			
<b>Range</b>	0 to TORQUE_PROD_CURRENT_MAX %																																
<b>Update rate</b>	Background																																

This parameter gives an indication of the internal CURRENT\_LIMIT\_MAX as defined above.

<b>4.19</b>	<b>Motor overload accumulator</b>																																
<b>Coding</b>	<table border="1" style="width:100%; border-collapse: collapse;"> <tr> <th>Bit</th><th>SP</th><th>FI</th><th>DE</th><th>Txt</th><th>VM</th><th>DP</th><th>ND</th><th>RA</th><th>NC</th><th>NV</th><th>PT</th><th>US</th><th>RW</th><th>BU</th><th>PS</th> </tr> <tr> <td></td><td></td><td></td><td></td><td></td><td></td><td>1</td><td>1</td><td></td><td>1</td><td></td><td>1</td><td></td><td></td><td>1</td><td></td> </tr> </table>	Bit	SP	FI	DE	Txt	VM	DP	ND	RA	NC	NV	PT	US	RW	BU	PS							1	1		1		1			1	
Bit	SP	FI	DE	Txt	VM	DP	ND	RA	NC	NV	PT	US	RW	BU	PS																		
						1	1		1		1			1																			
<b>Range</b>	0.0 to 100.0%																																
<b>Update rate</b>	Background																																

This parameter gives a continuous indication of modelled motor temperature as a percentage of the trip level.

When this parameter reaches 75% (and the load is above 105%), the drive will flash 'OVL.d' on the display to indicate that the motor temperature is excessive and the motor current should be reduced to stop the drive from tripping on 'lt.AC'

When this parameter reaches 100%, the drive will give an 'lt.AC' trip or apply a restriction on the current limit (see Pr 4.16 on page 68).

The level of the accumulator is given by:

$$\text{Pr 4.19} = \left( \frac{\text{Pr 4.01}^2 (1 - e^{-t/\text{Pr 4.15}})}{(\text{Pr 5.07} \times 1.05)^2} \right) \times 100\%$$

Also see Pr 4.15 on page 68.

<b>4.20</b>	<b>Percentage load</b>																																
<b>Coding</b>	<table border="1" style="width:100%; border-collapse: collapse;"> <tr> <th>Bit</th><th>SP</th><th>FI</th><th>DE</th><th>Txt</th><th>VM</th><th>DP</th><th>ND</th><th>RA</th><th>NC</th><th>NV</th><th>PT</th><th>US</th><th>RW</th><th>BU</th><th>PS</th> </tr> <tr> <td></td><td></td><td>1</td><td></td><td></td><td>1</td><td>1</td><td>1</td><td></td><td>1</td><td></td><td>1</td><td></td><td></td><td></td><td></td> </tr> </table>	Bit	SP	FI	DE	Txt	VM	DP	ND	RA	NC	NV	PT	US	RW	BU	PS			1			1	1	1		1		1				
Bit	SP	FI	DE	Txt	VM	DP	ND	RA	NC	NV	PT	US	RW	BU	PS																		
		1			1	1	1		1		1																						
<b>Range</b>	±USER_CURRENT_MAX%																																
<b>Update rate</b>	Background																																

This parameter indicates the drive loading as a percentage of rated active current, where the 100% rated active current is Pr 5.07 x Pr 5.10.

Therefore:

$$\text{Pr 4.20} = \frac{\text{Motor active current (Pr 4.02)}}{\text{Motor rated current (Pr 5.07)} \times \text{Power factor (Pr 5.10)}} \times 100\%$$

A positive value in this parameter indicates motoring load and a negative value indicates a regenerating load.

<b>4.21</b>	<b>Load display units {22}</b>																																
<b>Coding</b>	<table border="1" style="width:100%; border-collapse: collapse;"> <tr> <th>Bit</th><th>SP</th><th>FI</th><th>DE</th><th>Txt</th><th>VM</th><th>DP</th><th>ND</th><th>RA</th><th>NC</th><th>NV</th><th>PT</th><th>US</th><th>RW</th><th>BU</th><th>PS</th> </tr> <tr> <td></td><td></td><td></td><td></td><td>1</td><td></td><td></td><td></td><td></td><td></td><td></td><td></td><td>1</td><td>1</td><td>1</td><td></td> </tr> </table>	Bit	SP	FI	DE	Txt	VM	DP	ND	RA	NC	NV	PT	US	RW	BU	PS					1								1	1	1	
Bit	SP	FI	DE	Txt	VM	DP	ND	RA	NC	NV	PT	US	RW	BU	PS																		
				1								1	1	1																			
<b>Range</b>	Ld(0) or A(1)																																
<b>Default</b>	Ld(0)																																
<b>Update rate</b>	Background																																

0: Ld Value of Pr 4.20 displayed.

1: A Value of Pr 4.01 displayed.

This parameter defines whether the load indication in the display status mode displays percentage load or output current

<b>4.22 to 4.23</b>	<b>Unused parameters</b>
---------------------	--------------------------

4.24	User current maximum scaling															
Coding	Bit	SP	FI	DE	Txt	VM	DP	ND	RA	NC	NV	PT	US	RW	BU	PS
						1	1		1				1	1	1	
<b>Range</b>	0.0 to TORQUE_PROD_CURRENT_MAX%															
<b>Default</b>	165.0															
<b>Update rate</b>	Background															

The maximum for Pr 4.08 and Pr 4.20 is defined by this parameter.

4.25	Low speed thermal protection mode															
Coding	Bit	SP	FI	DE	Txt	VM	DP	ND	RA	NC	NV	PT	US	RW	BU	PS
	1												1	1		
<b>Range</b>	OFF(0) or On(1)															
<b>Default</b>	OFF(0)															
<b>Update rate</b>	Background															

0: OFF Low speed thermal protection mode disabled

1: On Low speed thermal protection mode enabled

See Pr 4.16 on page 68 for details.

4.26	Percentage torque															
Coding	Bit	SP	FI	DE	Txt	VM	DP	ND	RA	NC	NV	PT	US	RW	BU	PS
			1			1	1	1		1		1				
<b>Range</b>	±USER_CURRENT_MAX %															
<b>Update rate</b>	Background															

Pr 4.26 shows the torque producing current (Pr 4.02) as a percentage of the active torque producing current, but with an additional adjustment above base speed so that this parameter shows percentage torque. Below base speed, Pr 4.26 is equal to Pr 4.20. Above base speed the percentage torque producing current (Pr 4.20) is adjusted as follows:

$$\text{Pr 4.26} = \text{Pr 4.20} \times \text{motor rated frequency (Pr 5.06)} / \text{post ramp reference (Pr 2.01)}$$

4.27	Reduce internal current loop response															
Coding	Bit	SP	FI	DE	Txt	VM	DP	ND	RA	NC	NV	PT	US	RW	BU	PS
	1												1	1		
<b>Range</b>	OFF (0) or On (1)															
<b>Default</b>	OFF (0)															
<b>Update rate</b>	Background															

Modification of this parameter may be required when using the drive with a high- speed motor, which inherently has low inductance.

This parameter should only be set to On if OI.AC trips are occurring when the drive is carrying out a mains loss stop or DC injection brake with a high speed motor.

**NOTE**

Only available with drive firmware V01.08.04 onwards (size 2 to 6).

## 10.6 Menu 5: Motor control

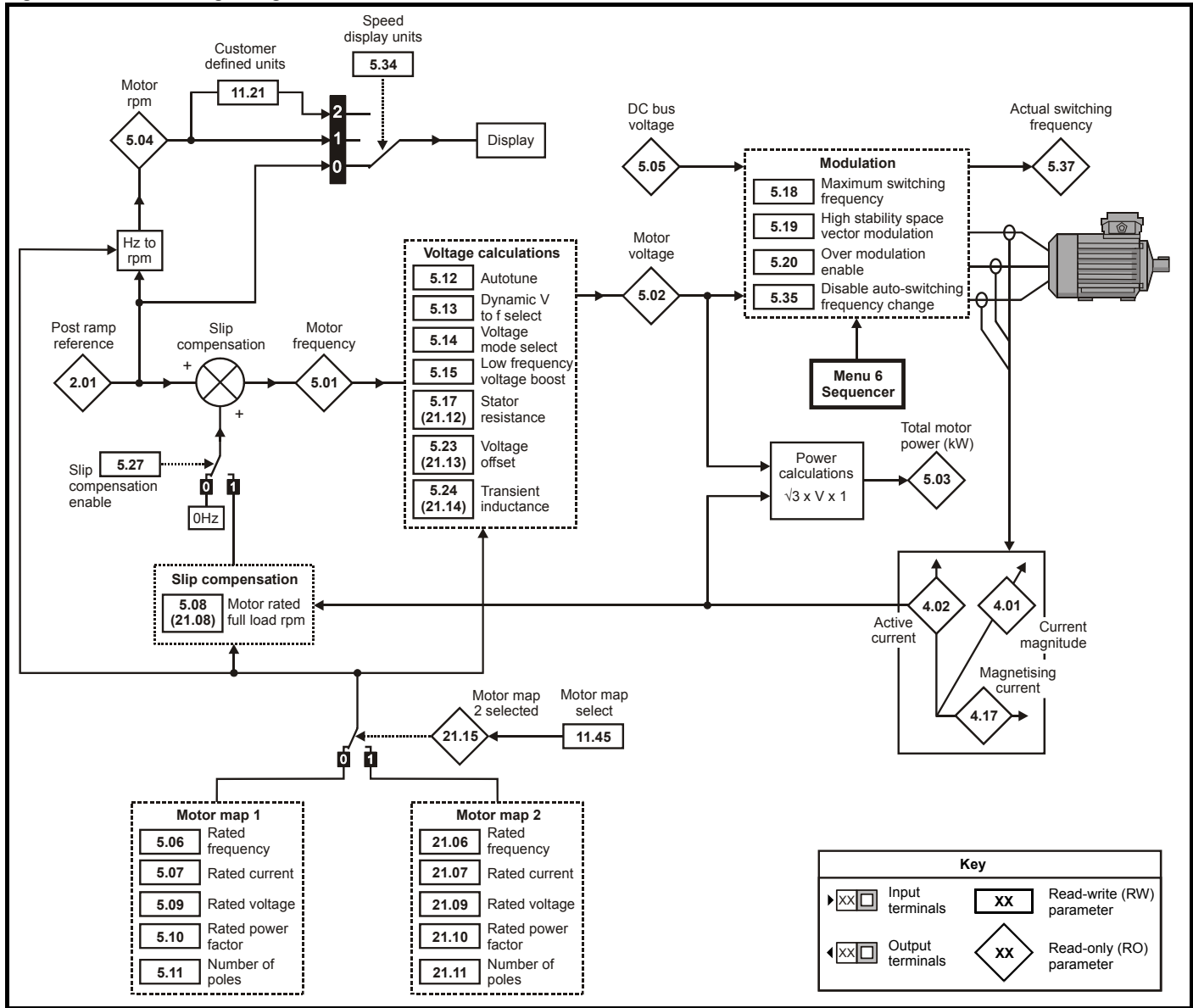
Table 10-7 Menu 5 parameters: single line descriptions

Parameter	Range	Default		Setting	Update Rate
		Eur	USA		
5.01 Motor frequency {85}	± 1500 Hz				21 ms
5.02 Motor voltage {86}	0 to AC_VOLTAGE_MAX V				B
5.03 Output power	±POWER_MAX kW				B
5.04 Motor speed {87}	± 9999 rpm				B
5.05 DC bus voltage {84}	0 to +DC_VOLTAGE_MAX V				B
5.06 Motor rated frequency {39}	0.0 to 1500.0 Hz	50.0(Eur),	60.0(USA)		B
5.07 Motor rated current {06}	0 to RATED_CURRENT_MAX A	Drive rated current {Pr 11.32}			B
5.08 Motor rated full load rpm {07}	0 to 9999 rpm	1500(Eur),	1800(USA)		B
5.09 Motor rated voltage {08}	0 to AC_VOLTAGE_SET_MAX V	110V drive: 230 200V drive: 230 400V drive: 400(Eur) 460(USA) 575V drive: 575 690V drive: 690			128 ms
5.10 Motor rated power factor {09}	0.00 to 1.00	0.85			B
5.11 Number of motor poles {40}	Auto(0), 2P(1), 4P(2), 6P(3), 8P(4)	Auto(0)			B
5.12 Auto-tune {38}	0 to 2	0			B
5.13 Dynamic V to F select {32}	OFF(0) or On(1)	OFF(0)			B
5.14 Voltage mode select {41}	Ur S(0), Ur(1), Fd(2), Ur A(3), Ur I(4), SrE(5)	Ur I(4)	Fd (2)		B
5.15 Low frequency voltage boost {42}	0.0 to 50.0% of motor rated voltage	3.0	1.0		B
5.16 Not used					
5.17 Stator resistance	0.000 to 65.000 Ω	0.000			B
5.18 Maximum switching frequency {37}	3(0) to 18kHz(3)*	3(0)			B
5.19 High stability space vector modulation	OFF(0) or On(1)	OFF(0)			B
5.20 Over modulation enable	OFF(0) or On(1)	OFF(0)			B
5.21 Not used					
5.22 Not used					
5.23 Voltage offset	0.0 to 25.0 V	0.0			B
5.24 Transient inductance (σL <sub>s</sub> )	0.00 to 320.00 mH	0.00			B
5.25 Not used					
5.26 Not used					
5.27 Enable slip compensation	OFF(0) or On(1)	On(1)			B
5.28 Not used					
5.29 Not used					
5.30 Not used					
5.31 Not used					
5.32 Not used					
5.33 Not used					
5.34 Speed display units {23}	Fr(0), SP(1), Cd(2)	Fr(0)			B
5.35 Disable auto-switching frequency change	OFF(0) or On(1)	OFF(0)			B
5.36 Not used					
5.37 Actual switching frequency	3 to 18kHz				BW
5.38 Not used					
5.39 Not used					
5.40 Not used					
5.41 Not used					
5.42 Not used					
5.43 Not used					
5.44 Not used					
5.45 Not used					
5.46 Not used					
5.47 Not used					
5.48 Not used					
5.49 Not used					
5.50 Security unlock	0 to 999				BR

\*18kHz is only available on Commander SK size A to C, 200V units.



**Figure 10-13 Menu 5 logic diagram**



<b>5.01</b>	<b>Motor frequency {85}</b>															
<b>Coding</b>	Bit	SP	FI	DE	Txt	VM	DP	ND	RA	NC	NV	PT	US	RW	BU	PS
			1			1	1	1		1		1				
<b>Range</b>	±1500.0 Hz															
<b>Update rate</b>	21 ms															

Although the range for scaling purposes is ±1500Hz, the actual parameter value can be increased beyond this range by slip compensation. This parameter gives the output frequency of the drive, i.e. the sum of the post ramp reference and the slip compensation.

<b>5.02</b>	<b>Motor voltage {86}</b>															
<b>Coding</b>	Bit	SP	FI	DE	Txt	VM	DP	ND	RA	NC	NV	PT	US	RW	BU	PS
			1			1		1		1		1			1	
<b>Range</b>	0 to AC_VOLTAGE_MAX V															
<b>Update rate</b>	Background															

This is the modulus of the r.m.s. fundamental line-to-line voltage at the inverter output.

<b>5.03</b>	<b>Output power</b>															
<b>Coding</b>	Bit	SP	FI	DE	Txt	VM	DP	ND	RA	NC	NV	PT	US	RW	BU	PS
			1			1	2	1		1		1				
<b>Range</b>	±POWER_MAX kW															
<b>Update rate</b>	Background															

Total output power of the drive (positive for power flow out of the drive's output terminals). Output power of the drive is calculated from the in phase components of voltage and current such that the total real power output is measured.

$$\text{Output power range} = \frac{\sqrt{3} \times \text{AC\_VOLTAGE\_MAX} \times \text{RATED\_CURRENT\_MAX} \times 2}{1000}$$

Where:

$$\text{AC\_VOLTAGE\_MAX} = 0.7446 \times \text{DC\_VOLTAGE\_MAX}$$

<b>5.04</b>	<b>Motor speed {87}</b>															
<b>Coding</b>	Bit	SP	FI	DE	Txt	VM	DP	ND	RA	NC	NV	PT	US	RW	BU	PS
			1					1		1		1				
<b>Range</b>	±9999 rpm															
<b>Update rate</b>	Background															

The motor speed is calculated from the post ramp reference (Pr 2.01). The speed of rotation is calculated as follows:

$$\text{speed} = 60 \times \text{Frequency/No. of pole pairs} = 60 \times \text{Pr 2.01}/(\text{Pr 5.11}/2)$$

The result will be fairly accurate provided the slip compensation has been set up correctly with the rated full load speed parameter (Pr 5.08). This calculation relies on the number of motor poles being set up correctly in Pr 5.11, or if auto mode is selected (Pr 5.11 = Auto) then it relies on a reasonably accurate value of motor rated speed being set in Pr 5.08 to allow correct calculation of the motor poles.

This is shown on the drive's display when Pr 23 is set to SP or Cd.

#### NOTE

When set to Cd, speed displayed is scaled in customer defined units.

<b>5.05</b>	<b>DC bus voltage {84}</b>															
<b>Coding</b>	Bit	SP	FI	DE	Txt	VM	DP	ND	RA	NC	NV	PT	US	RW	BU	PS
			1			1		1		1		1			1	
<b>Range</b>	0 to +DC_VOLTAGE_MAX V															
<b>Update rate</b>	Background															

Voltage across the internal DC bus of the drive.

5.06	Motor rated frequency {39}															
<b>Coding</b>	Bit	SP	FI	DE	Txt	VM	DP	ND	RA	NC	NV	PT	US	RW	BU	PS
						1							1	1	1	
<b>Range</b>	0.0 to 1500.0 Hz															
<b>Default</b>	Eur: 50.0, USA 60.0															
<b>Second motor parameter</b>	Pr 21.06															
<b>Update rate</b>	Background															

The motor rated frequency and the motor rated voltage (Pr 5.09) are used to define the voltage to frequency characteristic applied to the drive (see Pr 5.09). The motor rated frequency is also used in conjunction with the motor full load rpm to calculate the rated slip for slip compensation (see Pr 5.08).

5.07	Motor rated current {06}															
<b>Coding</b>	Bit	SP	FI	DE	Txt	VM	DP	ND	RA	NC	NV	PT	US	RW	BU	PS
						1	2		1				1	1	1	
<b>Range</b>	0 to RATED_CURRENT_MAX A															
<b>Default</b>	Drive rated current (Pr 11.32)															
<b>Second motor parameter</b>	Pr 21.07															
<b>Update rate</b>	Background															

The motor rated current should be set at the machine nameplate value for rated current.

This value is used in the following:

- Current limit, see Pr 4.07 on page 65
- Motor protection system, see Pr 4.15 on page 68
- Slip compensation, see Pr 5.08
- Vector mode voltage control, see Pr 5.09 on page 76
- Dynamic V to f control, see Pr 5.13 on page 78

5.08	Motor rated full load rpm {07}															
<b>Coding</b>	Bit	SP	FI	DE	Txt	VM	DP	ND	RA	NC	NV	PT	US	RW	BU	PS
													1	1	1	
<b>Range</b>	0 to 9999 rpm															
<b>Default</b>	Eur: 1500, USA 1800															
<b>Second motor parameter</b>	Pr 21.08															
<b>Update rate</b>	Background															

The rated full load rpm is used with the motor rated frequency and No. of motor poles to calculate the rated slip of the induction machine in Hz.

$$\text{Rated slip} = \text{Motor rated frequency} - (\text{No. of motor pole pairs} \times \text{Motor full load rpm} / 60) = \text{Pr 5.06} - [(\text{Pr 5.11} / 2) \times (\text{Pr 5.08} / 60)]$$

The rated slip is used to calculate the frequency adjustment required to compensate for slip from the following equation:

$$\text{Slip compensation} = \text{Rated slip} \times \text{Active current} / \text{Rated active current}$$

If slip compensation is required, Pr 5.27 must be set to On(1) and this parameter should be set to the nameplate value, which should give the correct rpm for a hot machine.

Sometimes it will be necessary to adjust this when the drive is commissioned because the nameplate value may be inaccurate. Slip compensation will operate correctly both below rated speed and within the field weakening region. Slip compensation is normally used to correct for the motor speed to prevent speed variation with load. The rated load rpm can be set higher than synchronous speed to deliberately introduce speed droop. This can be useful to aid load sharing with mechanically coupled motors.

**NOTE**

If Pr 5.08 is set to 0 or to synchronous speed, slip compensation is disabled.

**NOTE**

If the full load speed of the motor is above 9999rpm, slip compensation should be disabled. This is because a value above 9999 cannot be entered in Pr 5.08. It may be useful to disable slip compensation when using the Commander SK on a high inertia load e.g. fan or high speed spindle motor.

5.09 Motor rated voltage {08}																																	
<b>Coding</b>	<table border="1"> <tr> <td>Bit</td> <td>SP</td> <td>FI</td> <td>DE</td> <td>Txt</td> <td>VM</td> <td>DP</td> <td>ND</td> <td>RA</td> <td>NC</td> <td>NV</td> <td>PT</td> <td>US</td> <td>RW</td> <td>BU</td> <td>PS</td> </tr> <tr> <td></td> <td></td> <td></td> <td></td> <td></td> <td>1</td> <td></td> <td></td> <td>1</td> <td></td> <td></td> <td></td> <td>1</td> <td>1</td> <td>1</td> <td></td> </tr> </table>	Bit	SP	FI	DE	Txt	VM	DP	ND	RA	NC	NV	PT	US	RW	BU	PS						1			1				1	1	1	
Bit	SP	FI	DE	Txt	VM	DP	ND	RA	NC	NV	PT	US	RW	BU	PS																		
					1			1				1	1	1																			
<b>Range</b>	0 to AC_VOLTAGE_SET_MAX V																																
<b>Default</b>	110V rating drive: 230V 200V rating drive: 230V 400V rating drive: Eur: 400V, USA: 460V 575V rating drive: 575V 690V rating drive: 690V																																
<b>Second motor parameter</b>	Pr 21.09																																
<b>Update rate</b>	128ms																																

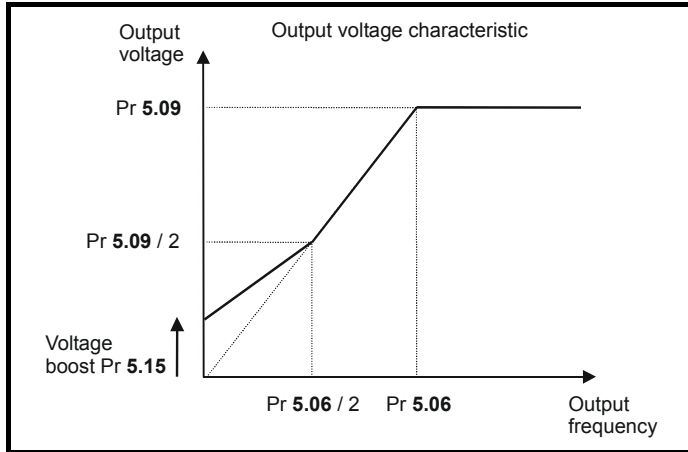
The rated voltage is used in conjunction with the motor rated frequency (Pr 5.06) to define the voltage to frequency characteristic applied to the motor. The following operating methods selected by Pr 5.14 are used to define the drive frequency to voltage characteristic.

**Open-loop vector mode: Ur S, Ur A, Ur or Ur I**

A linear characteristic is used from 0Hz to rated frequency, and then a constant voltage above rated frequency. When the drive operates between rated frequency/50 and rated frequency/4, full vector based stator resistance (Rs) compensation is applied. However there is a delay of 0.5s when the drive is enabled during which only partial vector based compensation is applied to allow the machine flux to build up. When the drive operates between rated frequency/4 and rated frequency/2 the Rs compensation is gradually reduced to zero as the frequency increases. For the vector modes to operate correctly the stator resistance (Pr 5.17), motor rated power factor (Pr 5.10) and voltage offset (Pr 5.23) are all required to be set-up accurately.

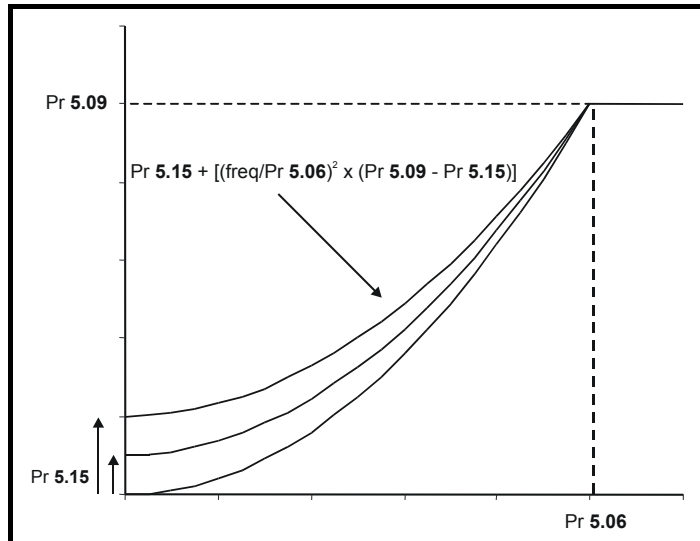
**Fixed boost mode: Fd**

A linear characteristic is used from 0Hz to rated frequency, and then constant voltage above rated frequency. Low frequency voltage boost as defined by Pr 5.15 is applied as shown below.



**Square law mode: SrE**

A square law characteristic is used from 0Hz to rated frequency, and then constant voltage above rated frequency. Low frequency voltage boost raises the start point of the square law characteristic as shown below.



<b>5.10</b>	<b>Motor rated power factor {09}</b>															
<b>Coding</b>	Bit	SP	FI	DE	Txt	VM	DP	ND	RA	NC	NV	PT	US	RW	BU	PS
							2		1				1	1	1	
<b>Range</b>	0.00 to 1.00															
<b>Default</b>	0.85															
<b>Second motor parameter</b>	Pr 21.10															
<b>Update rate</b>	Background															

The power factor is the true power factor of the motor, i.e. the angle between the motor voltage and current. The power factor is used in conjunction with the motor rated current (Pr 5.07) to calculate the rated active current and magnetising current of the motor. The rated active current is used extensively to control the drive, and the magnetising current is used in vector mode Rs compensation. It is important that this parameter is set up correctly.

**NOTE**

Pr 5.10 should be set to the motor power factor before an autotune is carried out.

<b>5.11</b>	<b>Number of motor poles {40}</b>															
<b>Coding</b>	Bit	SP	FI	DE	Txt	VM	DP	ND	RA	NC	NV	PT	US	RW	BU	PS
					1								1	1	1	
<b>Range</b>	Auto(0), 2P(1), 4P(2), 6P(3), 8P(4)															
<b>Default</b>	Auto(0)															
<b>Second motor parameter</b>	Pr 21.11															
<b>Update rate</b>	Background															

<b>Poles by text (value on display)</b>	<b>Pole pairs (value through serial comms)</b>
Auto	0
2P	1
4P	2
6P	3
8P	4

This parameter is used in the calculation of motor speed and in applying the correct slip compensation. When auto is selected the number of motor poles is automatically calculated from the rated frequency (Pr 5.06) and the rated load rpm (Pr 5.08).

**The number of poles = 120 x rated frequency / rpm rounded to the nearest even number.**

<b>5.12</b>	<b>Autotune {38}</b>															
<b>Coding</b>	Bit	SP	FI	DE	Txt	VM	DP	ND	RA	NC	NV	PT	US	RW	BU	PS
										1				1	1	
<b>Range</b>	0 to 2															
<b>Default</b>	0															
<b>Update rate</b>	Background															

- 0: No auto-tune
- 1: Non-rotating static auto-tune
- 2: Rotating auto-tune

If this parameter is set to a non-zero value and the drive is enabled and a run command is applied in either direction, the drive will perform an auto-tune test.

The drive must be in disabled or stopped condition before the test is initiated by applying a run command.

**NOTE**

It is important that the drive is at standstill before the auto-tune test is performed if the correct results are to be obtained.

The parameters modified by the autotune tests are defined overleaf. If the second motor map is selected for the duration of the tests (i.e. Pr 11.45 = On(1)), the second motor parameters in menu 21 are modified and not the parameters described below. All modified parameters are saved to EEPROM immediately after the auto-tune is complete. When the test is completed successfully the drive is disabled. The motor can only be restarted if the enable or run command is removed and then re-applied or if the drive is tripped, reset and then given a run command.

**NOTE**

Once a rotating auto-tune has been initiated (Pr 5.12 set to 2) on Commander SK, it must be completed before the drive will operate normally. If the rotating auto-tune is not completed (through the drive being disabled or a trip occurring), the drive will only run at the auto-tune speed (2/3 rated speed reference) when the drive is asked to run again.

If a drive is disabled during a rotating auto-tune, Pr 5.12 should be set back to 2 and the drive enabled again so that the rotating auto-tune can be completed.

If the drive trips during a rotating auto-tune, the reason for the trip should be corrected and the rotating auto-tune started again after setting Pr 5.12 back to 2.

The condition can also be cleared by power cycling the drive.

The following parameters are used in the vector control algorithm.

	Parameter	Basic algorithm	Slip compensation
Rated frequency	5.06	✓	✓
Rated current	5.07	✓	✓
Rated load rpm	5.08		✓
Rated voltage	5.09	✓	
Power factor	5.10	✓	
No. of poles	5.11		✓
Stator resistance (R <sub>s</sub> )	5.17	✓	
Voltage offset	5.23	✓	
Transient inductance (σL <sub>s</sub> )	5.24		

All these parameters can be set by the user except the transient inductance. The autotune test can be used to overwrite the user or default settings as described below. Accurate values of stator resistance and voltage offset are required even for moderate performance in vector mode (an accurate value of power factor is less critical).

**1 Stationary test**

The stationary test measures the stator resistance (Pr 5.17) and voltage offset (Pr 5.23). The power factor (Pr 5.10) is not affected.

**2 Rotating test**

A stationary test is performed to measure stator resistance (Pr 5.17), voltage offset (Pr 5.23) and transient inductance (Pr 5.24). The transient inductance is not used directly by the drive, but is an intermediate value in determining the power factor after the rotating test. This is followed by a rotating test in which the motor is accelerated with the currently selected ramps to 2/3 of rated speed and held at this speed for several seconds. Once the test is complete the power factor (Pr 5.10) is updated and the motor coasts to a stop.

**NOTE**

The motor should be unloaded for this test to produce correct results.

The autotune tests may be aborted by removing the run command or if a trip occurs. During the auto-tune tests the following trips can occur in addition to the other drive trips.

Trip code	Reason
tunE	Auto-tune stopped before completion
rS	Stator resistance too high

The rS trip is produced if the drive cannot achieve the necessary current levels to measure the stator resistance during the test (i.e. there is no motor connected to the drive), or if the necessary current level can be achieved, but the calculated resistance exceeds the maximum values for the particular drive size. The maximum measurable value can be calculated from the following formula.

$$R_{s_{max}} = DC\_VOLTAGE\_MAX / (Drive\ rated\ current \times \sqrt{2} \times 2)$$

**NOTE**

It is important to make sure that the motor wiring configuration is correct (i.e. Star/Delta) before performing an autotune.

If any changes are made to the drive's motor map parameter, system wiring, motor wiring configuration or motor size or type, the drive must be re-autotuned to the motor. Not performing another auto-tune will result in poor motor performance, OI.AC or It.AC trips.

5.13	Dynamic V to f select {32}															
<b>Coding</b>	Bit	SP	FI	DE	Txt	VM	DP	ND	RA	NC	NV	PT	US	RW	BU	PS
	1												1	1		
<b>Range</b>	OFF(0) or On(1)															
<b>Default</b>	OFF(0)															
<b>Update rate</b>	Background															

0: OFF Dynamic V to f select disabled

1: On Dynamic V to f select enabled

Setting this bit to On(1) enables dynamic V to f mode which is intended for applications where power loss should be kept to a minimum under low load conditions. The V/f ratio is modified with load as follows:

If  $|active\ current| < 0.7 \times rated\ active\ current$

$$V/f\ ratio = Normal\ V/f\ ratio \times (0.5 + (active\ current / (2 \times 0.7 \times rated\ active\ current)))$$

Else, if  $|active\ current| \geq 0.7 \times rated\ active\ current$   
**V/f ratio = Normal V/f ratio**

Although the V/f ratio varies, the value shown as Pr 5.06 does not vary from that set by the user.  
 Use to avoid instability on unloaded large motors.

5.14	Voltage mode select {41}															
Coding	Bit	SP	FI	DE	Txt	VM	DP	ND	RA	NC	NV	PT	US	RW	BU	PS
					1								1	1	1	
<b>Range</b>	Ur S(0), Ur(1), Fd(2), Ur A(3), Ur I(4), SrE(5)															
<b>Default</b>	Ur I(4)															
<b>Update rate</b>	Background															

**0 Ur S Stator resistance and voltage offset measured on each run signal**

The stator resistance (Pr 5.17) and the voltage offset (Pr 5.23) are measured and the parameters for the selected motor map are over-written each time the drive is given a run signal. This test can only be done with a stationary machine where the flux has decayed to zero. Therefore this mode should only be used if the machine is guaranteed to be stationary each time the drive is enabled. To prevent the test from being done before the flux has decayed there is a period of 1 second after the drive has been in the ready state during which the test is not done if the drive is re-started. In this case, previously measured values are used. The new values of stator resistance and voltage offset are automatically saved to EEPROM.

**1 Ur No measurements**

The stator resistance and voltage offset are not measured. The user can enter the motor and cabling resistance into the stator resistance parameter. However this will not include resistance effects within the drive inverter. Therefore if this mode is to be used, it is best to use the auto-tuning stationary test initially to measure the stator resistance.

**2 Fd Fixed boost mode.**

Neither the stator resistance nor the voltage offset are used, instead a fixed characteristic with boost applied as defined by Pr 5.15 is used. (see Pr 5.09 on page 76)

**NOTE**

Fixed boost mode should be used for multiple motor applications.

**3 Ur A Stator resistance and voltage offset measured at first drive enable**

The stator resistance and voltage offset are measured once, the first time the drive is enabled and run. After the test has been completed successfully the mode is changed to Ur mode. The stator resistance and voltage offset are written to the parameters for the currently selected motor map and these parameters along with this parameter are saved in the EEPROM.

**NOTE**

If the test fails the stator resistance and voltage offset are not updated, the mode is changed to Ur, but no parameters are saved. If the drive is powered down and back up, the drive will carry out another autotune when the drive is enabled and run.

**4 Ur I Stator resistance and voltage offset measured at each power-up and after a drive default**

The stator resistance and voltage offset are measured when the drive is first enabled after each power-up and after a drive default. The new values of stator resistance and voltage offset are automatically saved to EEPROM.

**5 SrE Square law characteristic**

Neither the stator resistance nor the voltage offset are used, instead a fixed square law characteristic with boost applied as defined by Pr 5.15 is used. (see Pr 5.09 on page 76)

5.15	Low frequency voltage boost {42}															
Coding	Bit	SP	FI	DE	Txt	VM	DP	ND	RA	NC	NV	PT	US	RW	BU	PS
							1						1	1	1	
<b>Range</b>	0.0 to 50.0% of motor rated voltage															
<b>Default</b>	3.0															
<b>Update rate</b>	Background															

The voltage boost level used in fixed boost mode and square law mode is defined by this parameter. See Pr 5.09 on page 76.  
 This voltage boost compensates for the voltage drop arising from the stator resistance.

<b>5.16</b>	<b>Unused parameter</b>
-------------	-------------------------

5.17	Stator resistance															
<b>Coding</b>	Bit	SP	FI	DE	Txt	VM	DP	ND	RA	NC	NV	PT	US	RW	BU	PS
							3		1				1	1	1	
<b>Range</b>	0.000 to 65.000 Ω															
<b>Default</b>	0.000															
<b>Second motor parameter</b>	Pr 21.12															
<b>Update rate</b>	Background															

This parameter contains the stator resistance of the machine for open loop vector mode operation.

If the drive cannot achieve the necessary current levels to measure the stator resistance during an auto-tune (e.g. there is no motor connected to the drive) an rS trip will occur and the value in Pr 5.17 remains unchanged. If the necessary current levels can be achieved but the calculated resistance exceeds the maximum allowable value for that particular drive size, an rS trip will occur and Pr 5.17 will contain the maximum allowable value.

5.18	Maximum switching frequency {37}															
<b>Coding</b>	Bit	SP	FI	DE	Txt	VM	DP	ND	RA	NC	NV	PT	US	RW	BU	PS
					1				1				1	1	1	
<b>Range</b>	3(0), 6(1), 12(2), 18(3) kHz															
<b>Default</b>	3(0)															
<b>Update rate</b>	Background															

Value	Display	Frequency (kHz)
0	3	3
1	6	6
2	12	12
3	18	18

This parameter defines the required switching frequency.

The drive may automatically reduce the actual switching frequency (without changing this parameter) if the power stage becomes too hot. The switching frequency can reduce from 18kHz to 12kHz to 6kHz to 3kHz. An estimation of the IGBT junction temperature is made based on the heatsink temperature and an instantaneous temperature drop using the drive output current and switching frequency. The estimated IGBT junction temperature is displayed in Pr 7.34.

If the temperature exceeds 135°C, the switching frequency is reduced if possible (i.e. if the current switching frequency is >3kHz) and auto-switching frequency change mode is enabled (see Pr 5.35 on page 82) to reduce the drives losses and thus reduce the IGBT junction temperature.

If the load condition persists, the junction temperature may continue to rise. If the temperature exceeds 145°C and the switching frequency cannot be reduced the drive will initiate an O.ht1 trip.

Every 20ms the drive will attempt to restore the set switching frequency if the higher switching frequency will not take the IGBT temperature above 135°C.

Also refer to 10.18 on page 131.

**NOTE**

The 18kHz switching frequency is not available on Commander SK size B and C, 400V units, Commander SK size D or Commander SK size 2 to 6. Therefore it is not recommended to use these drives where the output frequencies are likely to be above 1000Hz.

**NOTE**

With drive firmware V01.07.01 onwards, the 400V size C drive will have an actual switching frequency of 3kHz when the output frequency is below 6Hz.

5.19	High stability space vector modulation															
<b>Coding</b>	Bit	SP	FI	DE	Txt	VM	DP	ND	RA	NC	NV	PT	US	RW	BU	PS
	1												1	1		
<b>Range</b>	OFF(0) or On(1)															
<b>Default</b>	OFF(0)															
<b>Update rate</b>	Background															

0: OFF High stability space vector modulation disabled

1: On High stability space vector modulation enabled

Normally the drive will use space vector modulation to produce the IGBT control signals. High stability space vector modulation offers three advantages in an open loop drive, but the acoustic noise produced by the motor may increase slightly.



- It is possible for instability to occur around motor rated frequency/2 on light load. The drive uses deadtime compensation to reduce this effect, however, it is still possible that some machines will be unstable. To prevent this, high stability space vector modulation should be enabled by setting this parameter.
- As the output voltage approaches the maximum available from the drive, pulse deletion occurs. This can cause unstable operation with a lightly or fully loaded machine. High stability space vector modulation will reduce this effect.
- High stability space vector modulation will also give a small reduction in drive heat loss.

**NOTE**

High stability space vector modulation is not available on Commander SK sizes A, B and C. Available with size D and size 2 to 6.

5.20	Over modulation enable															
Coding	Bit	SP	FI	DE	Txt	VM	DP	ND	RA	NC	NV	PT	US	RW	BU	PS
	1												1	1		
Range	OFF(0) or On(1)															
Default	OFF(0)															
Update rate	Background															

0: OFF Over modulation disabled

1: On Over modulation enable

The maximum modulation level of the drive is normally limited to unity giving an output voltage equivalent to the drive input voltage minus voltage drops within the drive. If the motor rated voltage is set at the same level as the supply voltage some pulse deletion will occur as the drive output voltage approaches the rated voltage level. If Pr 5.20 is set to On(1) the modulator will allow over modulation, so that as the output frequency increases beyond the rated frequency the voltage continues to increase above the rated voltage. The modulation depth will increase beyond unity producing trapezoidal waveforms. This can be used for example to get slightly better performance above rated speed. The disadvantage is that the machine current will be distorted as the modulation depth increases above unity, and will contain a significant amount of low order odd harmonics of the fundamental output frequency.

5.21 to 5.22	Unused parameters
--------------	-------------------

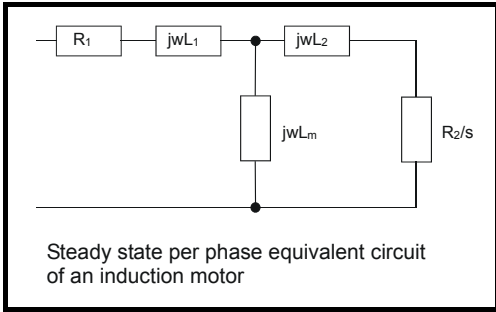
5.23	Voltage offset															
Coding	Bit	SP	FI	DE	Txt	VM	DP	ND	RA	NC	NV	PT	US	RW	BU	PS
							1		1				1	1	1	
Range	0.0 to 25.0 V															
Default	0.0															
Second motor parameter	Pr 21.13															
Update rate	Background															

Due to various effects in the drive inverter a voltage offset must be produced before any current flows. To obtain good performance at low frequencies where the machine terminal voltage is small this offset must be taken into account. The value shown in Pr 5.23 is this offset given in line to line rms volts. It is not possible for the user to measure this voltage easily, and so the automatic measurement procedure should be used (see Pr 5.14 on page 79).

5.24	Transient inductance ( $\sigma L_s$ )															
Coding	Bit	SP	FI	DE	Txt	VM	DP	ND	RA	NC	NV	PT	US	RW	BU	PS
							2		1			1	1		1	
Range	0.00 to 320.00 mH															
Default	0.00															
Second motor parameter	Pr 21.14															
Update rate	Background															

With reference to the diagram below, the transient inductance is defined as

$$\sigma L_s = L_1 + (L_2 \cdot L_m / (L_2 + L_m))$$



Based on the parameters normally used for the motor equivalent circuit for transient analysis, i.e.  $L_s = L_1 + L_m$ ,  $L_r = L_2 + L_m$ , the transient inductance is given by:

$$\sigma L_s = L_s - (L_m^2 / L_r)$$

The transient inductance is used as an intermediate variable to calculate the power factor.

**5.25 to 5.26 Unused parameters**

<b>5.27</b>	<b>Enable slip compensation</b>															
<b>Coding</b>	Bit	SP	FI	DE	Txt	VM	DP	ND	RA	NC	NV	PT	US	RW	BU	PS
	1												1	1	1	
<b>Range</b>	OFF(0) or On(1)															
<b>Default</b>	On(1)															
<b>Update rate</b>	Background															

- 0: OFF Slip compensation disabled
- 1: On Slip compensation enabled

The level of slip compensation is set by the rated frequency and rated speed parameters. Slip compensation is only enabled when this parameter is set to On(1) and Pr 5.08 is set to a value other than zero or synchronous speed.

**5.28 to 5.33 Unused parameters**

<b>5.34</b>	<b>Speed display units {23}</b>															
<b>Coding</b>	Bit	SP	FI	DE	Txt	VM	DP	ND	RA	NC	NV	PT	US	RW	BU	PS
					1								1	1	1	
<b>Range</b>	Fr(0), SP(1), Cd(2)															
<b>Default</b>	Fr(0)															
<b>Update rate</b>	Background															

Selects the units for the displayed speed.

- 0: Fr Drive output in Hz (Pr 2.01)
- 1: SP Motor speed in RPM (Pr 5.04)
- 2: Cd Machine speed in customer defined units (Scaled from Pr 5.04)

**NOTE**

See *Parameter scaling* Pr 11.21 on page 139 for information on how to scale the rpm (Pr 5.04) when customer defined units is selected.

<b>5.35</b>	<b>Disable auto-switching frequency change</b>															
<b>Coding</b>	Bit	SP	FI	DE	Txt	VM	DP	ND	RA	NC	NV	PT	US	RW	BU	PS
	1												1	1		
<b>Range</b>	OFF(0) or On(1)															
<b>Default</b>	OFF(0)															
<b>Update rate</b>	Background															

- 0: OFF Auto-switching frequency change enabled
- 1: On Auto-switching frequency change disabled

The drive thermal protection scheme (see Pr 5.18 on page 80) reduces the switching frequency automatically when necessary to prevent the drive from overheating. It is possible to disable this feature by setting this bit parameter to On(1). If the feature is disabled the drive will trip immediately on O.ht1 when the IGBT temperature gets too high.

**NOTE**

This is only operational with the IGBT junction temperature (Pr 7.34).

<b>5.36</b>	<b>Unused parameter</b>
-------------	-------------------------

<b>5.37</b>	<b>Actual switching frequency</b>															
<b>Coding</b>	Bit	SP	FI	DE	Txt	VM	DP	ND	RA	NC	NV	PT	US	RW	BU	PS
					1			1		1		1			1	
<b>Range</b>	3 to 18kHz															
<b>Update rate</b>	Background write															

Pr 5.37 shows the actual switching frequency used by the inverter. The maximum switching frequency is set with Pr 5.18, but this may be reduced by the drive if automatic switching frequency changes are allowed (Pr 5.35 = OFF).

Value	String	Switching frequency (kHz)
0	3	3
1	6	6
2	12	12
3	18	18

**NOTE**

The 18kHz switching frequency is not available on Commander SK size B and C, 400V units, Commander SK size D or Commander SK size 2 to 6.

<b>5.38 to 5.49</b>	<b>Unused parameters</b>
---------------------	--------------------------

<b>5.50</b>	<b>Security unlock</b>															
<b>Coding</b>	Bit	SP	FI	DE	Txt	VM	DP	ND	RA	NC	NV	PT	US	RW	BU	PS
								1		1	1	1		1	1	
<b>Range</b>	0 to 999															
<b>Update rate</b>	Background read															

Pr 5.50 is not visible from the keypad and holds the value of the security entered to allow parameters to be edited when security is enabled.

## 10.7 Menu 6: Drive sequencer and clock

Table 10-8 Menu 6 parameters: single line descriptions

Parameter		Range	Default	Setting	Update Rate
6.01	Stop mode select {31}	0 to 4	1		2 ms
6.02	Not used				
6.03	Mains loss mode	diS(0), StoP(1), rd.th(2)	diS(0)		2 ms
6.04	Start/stop logic select {11}	0 to 6	0 (Eur) 4 (USA)		Edit mode exit
6.05	Not used				
6.06	Injection braking level	0.0 to 150.0%	100.0		B
6.07	Injection braking time	0.0 to 25.0 s	1.0		2 ms
6.08	Not used				
6.09	Catch a spinning motor select {33}	0 to 3	0		B
6.10	Low DC bus operation*	OFF(0) or On(1)	OFF(0)		B
6.11	Remote LED keypad function key status	OFF(0) or On(1)	OFF(0)		B
6.12	Enable stop key	OFF(0) or On(1)	OFF(0)**		B
6.13	Function key mode	0 to 6	0		BR
6.14	Disable auto reset on enable	OFF(0) or On(1)	OFF(1)		2 ms
6.15	Drive enable	OFF(0) or On(1)	On(1)		2 ms
6.16	Electricity cost per kWh	0.0 to 600.0 currency/kWh	0.0		B
6.17	Reset energy meter	OFF(0) or On(1)	OFF(0)		B
6.18	Not used				
6.19	Not used				
6.20	Not used				
6.21	Not used				
6.22	Run time log: years.days	0.000 to 9.365 years.days			B
6.23	Run time log: hours.minutes	0.00 to 23.59 hours.minutes			B
6.24	Energy meter: MWh	0.0 to 999.9 MWh			B
6.25	Energy meter: kWh	0.00 to 99.99 kWh			B
6.26	Running cost	±32000 currency/hour			B
6.27	Not used				
6.28	Not used				
6.29	Hardware enable	OFF(0) or On(1)	OFF(0)		2 ms
6.30	Sequencing bit: Run forward	OFF(0) or On(1)	OFF(0)		2 ms
6.31	Sequencing bit: Jog forward	OFF(0) or On(1)	OFF(0)		2 ms
6.32	Sequencing bit: Run reverse	OFF(0) or On(1)	OFF(0)		2 ms
6.33	Sequencing bit: Fwd/Rev	OFF(0) or On(1)	OFF(0)		2 ms
6.34	Sequencing bit: Run	OFF(0) or On(1)	OFF(0)		2 ms
6.35	Forward limit switch	OFF(0) or On(1)	OFF(0)		2 ms
6.36	Reverse limit switch	OFF(0) or On(1)	OFF(0)		2 ms
6.37	Sequencing bit: Jog reverse	OFF(0) or On(1)	OFF(0)		2 ms
6.38	Not used				
6.39	Sequencing bit: /Stop	OFF(0) or On(1)	OFF(0)		2 ms
6.40	Enable sequencer latching	OFF(0) or On(1)	OFF(0)		2 ms
6.41	Not used				
6.42	Control word	0 to 32767	0		2 ms
6.43	Control word enable	OFF(0) or On(1)	OFF(0)		2 ms
6.44	Not used				
6.45	Force cooling fan to run at full speed	OFF(0) or On(1)	OFF(0)		B

\* Only available on Commander SK size B, C and D.

\*\* On with USA defaults.

**Figure 10-14 Menu 6A logic diagram**

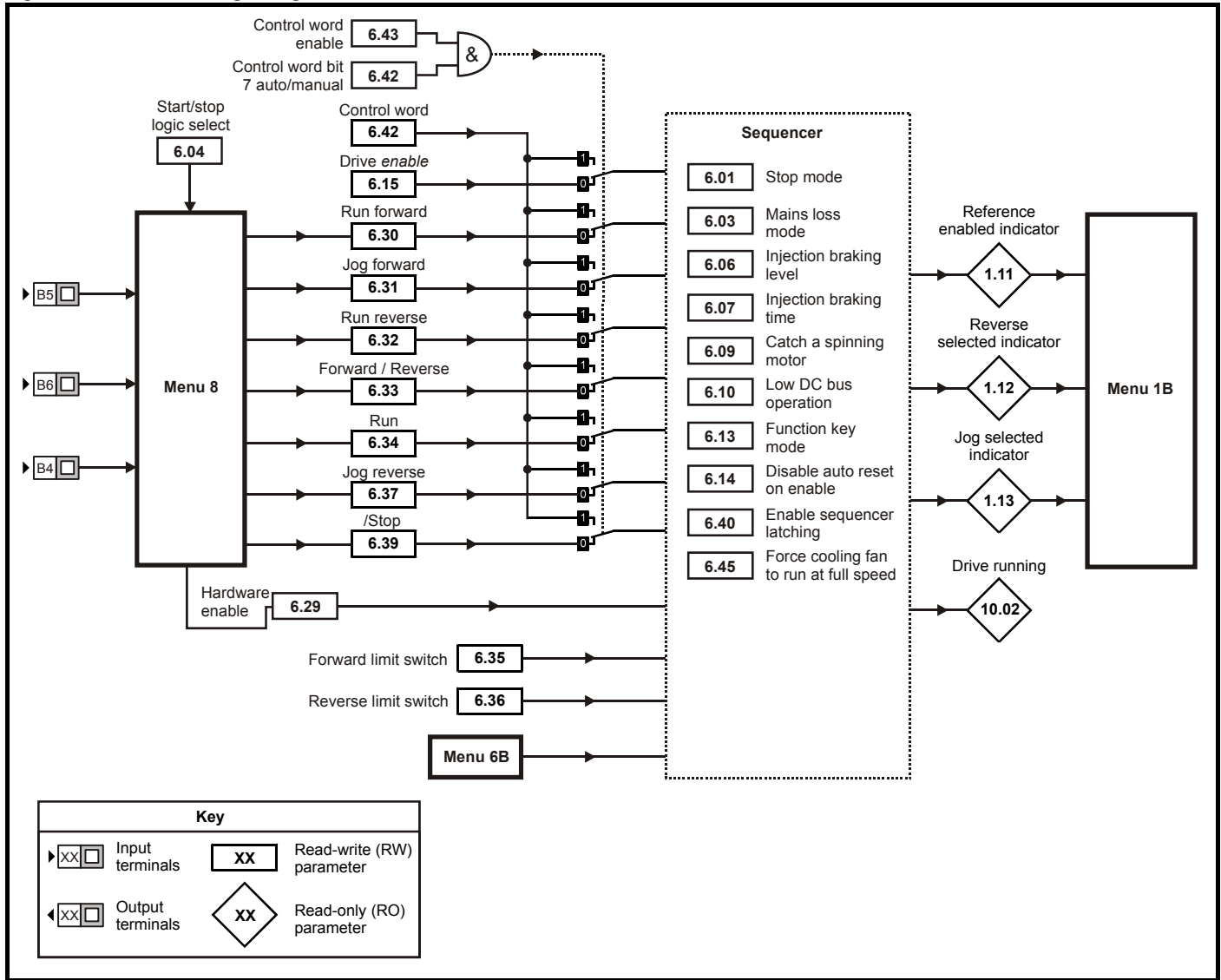
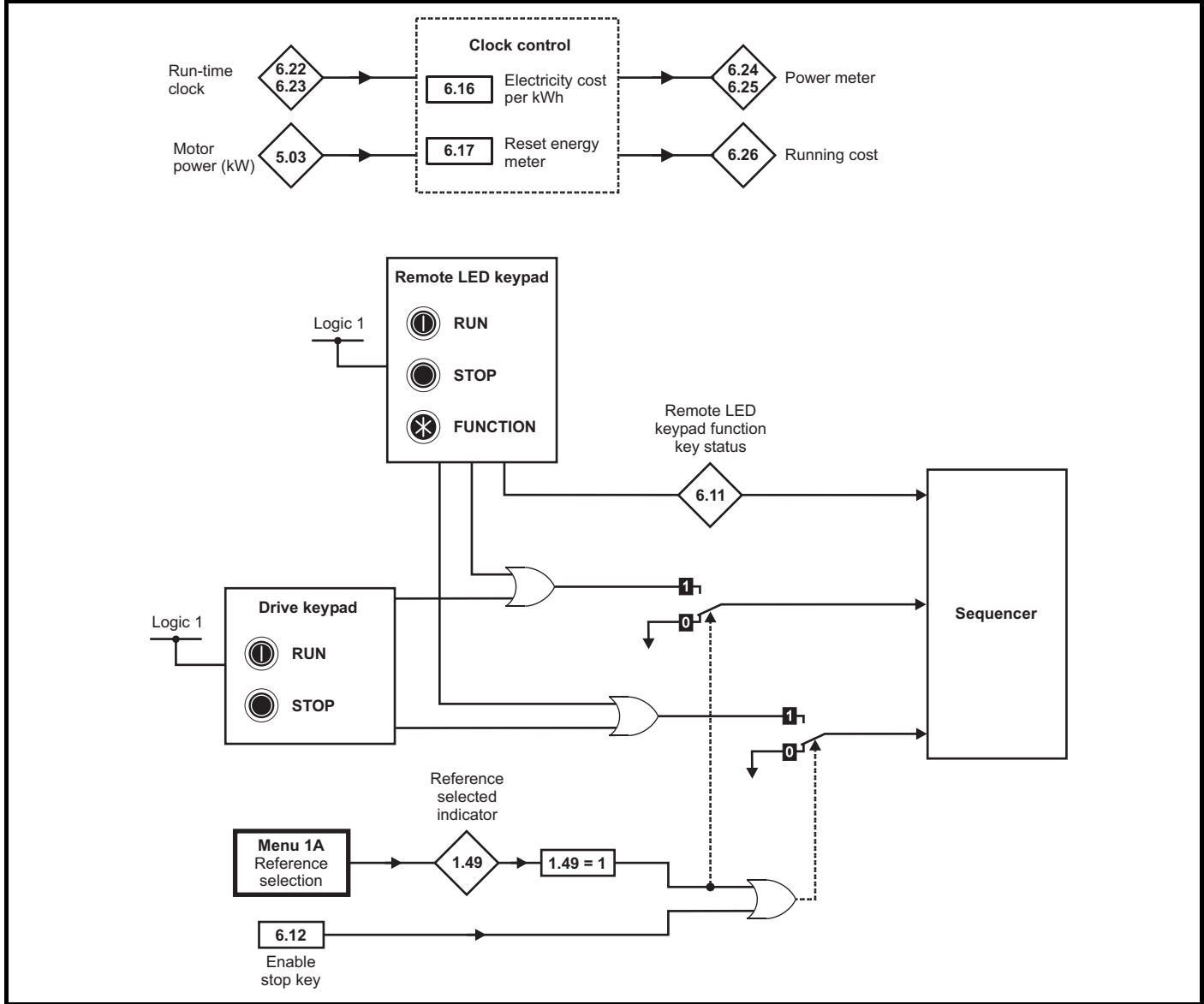


Figure 10-15 Menu 6B logic diagram



<b>6.01</b>	<b>Stop mode select {31}</b>															
<b>Coding</b>	Bit	SP	FI	DE	Txt	VM	DP	ND	RA	NC	NV	PT	US	RW	BU	PS
													1	1	1	
<b>Range</b>	0 to 4															
<b>Default</b>	1															
<b>Update rate</b>	2 ms															

- 0: Coast stop
- 1: Ramp stop
- 2: Ramp stop + dc injection
- 3: DC Injection braking stop with detection of zero speed
- 4: Timed dc injection braking stop

Stopping is in two distinct phases: decelerating to stop, and stopped. ( Table shows default values)

Stopping Mode	Phase 1	Phase 2	Comments
0: Coast	Inverter disabled	Drive cannot be re-enabled for a specific time period which is drive size dependant.	Delay in phase 2 allows rotor flux to decay.
1: Ramp	Ramp down to zero frequency	Wait for 1s with inverter enabled	
2: Ramp followed by DC injection	Ramp down to zero frequency	Inject DC at level specified by Pr <b>6.06</b> for time defined by Pr <b>6.07</b>	
3: DC injection with zero speed detection	Low frequency current injection with detection of low speed before next phase	Inject DC at level specified by Pr <b>6.06</b> for time defined by Pr <b>6.07</b>	The drive automatically senses low speed and therefore it adjusts the injection time to suit the application. If the injection current level is too small the drive will not sense low speed (normally a minimum of 50-60% is required).
4: Timed DC injection braking stop	Inject DC at level specified by Pr <b>6.06</b> for time specified by Pr <b>6.07</b>	Inject DC at level specified by Pr <b>6.06</b> for 1s	The minimum total injection time is 1s for phase 1 and 1s for phase 2, i.e. 2s in total.

Once modes 3 or 4 have begun the drive must go through the ready state before being restarted either by stopping, tripping or being disabled.

Once DC injection braking has started, the drive cannot be restarted unless the drive is tripped or disabled.

The drive will enter one of the above stopping modes when the enable, run forward, run reverse, run or not stop terminals are opened, depending on the programmed terminal configuration.

**NOTE**

When the enable terminal is opened, the drive will always enter the coast to stop mode.

**NOTE**

There is a delay of 65ms in the drives software when switching from run forward to run reverse or vice-versa. This delay is to allow the direction of motor rotation to be changed without the drive entering one of the above selected stopping mode.

During each of the stopping mode sequences, there are two distinct phases:

- decelerating to stop
- stopped

**Mode 1: Coast to stop**

Pr **6.01** = 0

**Phase 1**

The output bridge of the drive is disabled.

**Phase 2**

The drive cannot be re-enabled for 2 seconds.

The 2 seconds delay in phase 2 allows the rotor flux to decay before the drive is allowed to be re-enabled. This 2 second time cannot be adjusted.

**Mode 2: Ramp to stop**

Pr **6.01** = 1 (default)

**Phase 1**

The drive will ramp down to zero frequency under the control of the selected ramp mode (Pr **2.04**) in the time set by the deceleration rate.

**Phase 2**

The drive will wait for 1 second with the output bridge enabled and then it will disable.

### Mode 3: Ramp to stop + timed DC injection braking

Pr 6.01 = 2

#### Phase 1

The drive will ramp down to zero frequency under the control of the selected ramp mode (Pr 2.04) in the time set by the deceleration rate.

#### Phase 2

Then DC current is injected into the motor at a level specified by Pr 6.06 and for a time specified by Pr 6.07.

Normally when this mode is used, phase 1 decelerates the motor to a stop and phase 2 locks the rotor shaft. This can be useful when trying to fully stop an inertia load i.e. fan.

### Mode 4: Injection braking stop with detection of zero speed

Pr 6.01 = 3

#### Phase 1

A low frequency current at 5Hz is injected into the motor at the level programmed by Pr 6.06, this will have the effect of slowing down the motor. When the motor reaches 5Hz, the software goes into phase 2.

When the drive injects the low frequency current at 5Hz, it detects that regen current is flowing. When the motor reaches 5Hz, this regen current stops and therefore the drive knows that the motor is at 5Hz.

#### Phase 2

DC current is injected into the motor at a level specified by Pr 6.06 and for a time specified by Pr 6.07.

The drive automatically senses low speed so therefore it adjusts the injection time to suit the application. If the injection current level is too small, the drive will not sense low speed and it will sit at 5Hz (normally 50-60% is required in Pr 6.06).

### Mode 5: Time DC injection braking stop

Pr 6.01 = 4

#### Phase 1

DC current is injected into the motor at a level specified by Pr 6.06 and for a time specified by Pr 6.07.

#### Phase 2

DC current is injected into the motor at a level specified by Pr 6.06 for 1 second.

The minimum total DC injection braking time is 1 second for phase 1 and 1 second for phase 2. Therefore the minimum DC injection braking time is 2 seconds.

Normally, the combination of the DC injection braking current level and injection braking time during phase 1 is used to stop the motor from rotating. Then the 1 second DC injection braking in phase 2 is used to lock the motor shaft.

If the DC injection braking current level is set to a high level in Pr 6.06, the less time is required in Pr 6.07 to stop the motor. If the DC injection braking current is set to a low level, the more time is required in Pr 6.07 to stop the motor.

6.02	Unused parameter
------	------------------

6.03	Mains loss mode															
Coding	Bit	SP	FI	DE	Txt	VM	DP	ND	RA	NC	NV	PT	US	RW	BU	PS
					1								1	1	1	
Range	diS(0), StoP(1), rd.th(2)															
Default	diS(0)															
Update rate	2ms															

This parameter has 3 settings as follows:

Pr 6.03	Mnemonic	Function
0	diS	Disabled
1	StoP	Stop
2	rd.th	Ride through

### Mains Loss

There is no mains loss detection and the drive operates normally only as long as the DC bus voltage remains within specification (i.e. >Vuu). Once the voltage falls below Vuu a UU trip occurs and this will reset itself if the voltage rises again above VuuRestart in the following table.

#### 1 StoP

The action taken by the drive is the same as for ride through mode, except the ramp down rate is at least as fast as the deceleration ramp setting and the drive will continue to decelerate to 0Hz even if the mains is re-applied.

Depending on whether the mains is re-applied during the ramp down phase will depend on what happens next:

- If the mains is not re-applied during the ramp down phase, the drive will trip on UU after it has reached 0Hz.
- If the mains is re-applied during the ramp down phase, when the drive reaches 0Hz and depending on the state of the control terminals, the drive will either go into the 'rd' ready state or the drive will run back up to set speed.

Normally the controlling system will see that the mains has been lost and even though it has been re-applied, the controller will remove the run terminal so that when it reaches 0Hz, it will go into the 'rd' state.

If normal or timed injection braking is selected, the drive will use ramp mode to stop on loss of the supply. If ramp stop followed by injection braking is



selected the drive will ramp to a stop and then attempt to apply DC injection. At this point, unless the mains has been restored the drive is likely to initiate a UU trip.

## 2 rd.th

The drive detects mains loss when the DC bus voltage falls below  $V_{ml1}$ . The drive then enters a mode where a closed-loop controller attempts to hold the DC bus level at  $V_{ml2}$ . This causes the motor to decelerate at a rate that increases as the speed falls. If the mains is re-applied it will force the DC bus voltage above the detection threshold  $V_{ml1}$  and the drive will continue to operate normally. The output of the mains loss controller is a current demand that is fed into the current control system and therefore the gain parameters Pr 4.13 and Pr 4.14 must be set up for optimum control. See Pr 4.13 and Pr 4.14 on page 67 for set-up details.

The following table shows the voltage levels used by drives with each voltage rating.

Voltage level	110V drive	200V drive	400V drive	575V drive	690V drive
Vuu	175	175	330	435	435
$V_{ml1}$	205	205	410	540	540
$V_{ml2}$	195	195	390	515	515
VuuRestart	215	215	425	590	590

When the drive is carrying out a mains loss stop or ride through, the drive's left hand display will show 'AC' ( with the drive software V01.03.00 onwards).

6.04	Start/stop logic select {11}															
<b>Coding</b>	Bit	SP	FI	DE	Txt	VM	DP	ND	RA	NC	NV	PT	US	RW	BU	PS
													1	1	1	
<b>Range</b>	0 to 6															
<b>Default</b>	Eur: 0, USA: 4															
<b>Update rate</b>	Actioned on exit of edit mode or drive reset															

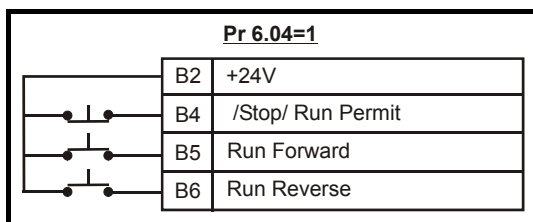
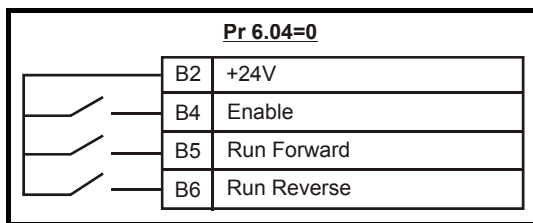
This parameter changes the functions of terminals B4, B5 and B6, which are normally associated with the enabling, starting and stopping the drive. This also writes to parameter Pr 6.40 to enable and disable the input latches.

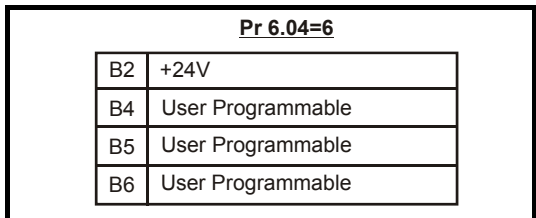
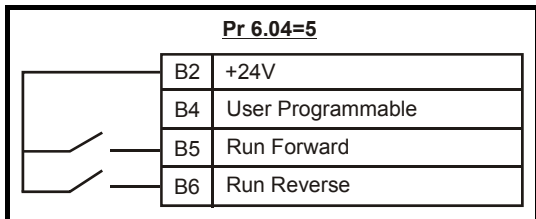
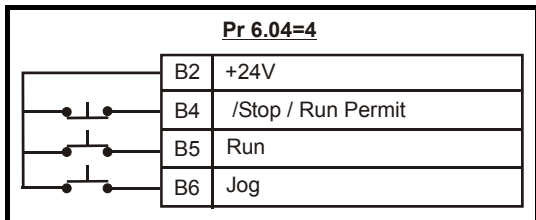
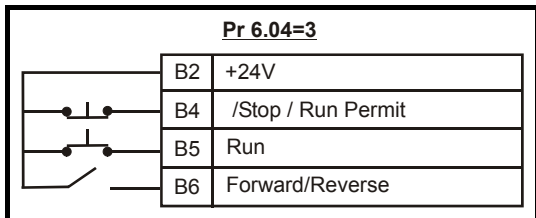
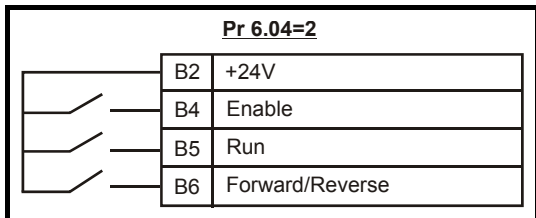
Pr 6.04	Terminal B4	Terminal B5	Terminal B6	Pr 6.40
0	Enable	Run Forward	Run Reverse	0 (non latching)
1	/Stop	Run Forward	Run Reverse	1 (latching)
2	Enable	Run	Fwd/Rev	0 (non latching)
3	/Stop	Run	Fwd/Rev	1 (latching)
4	/Stop	Run	Jog	1 (latching)
5	User programmable	Run Forward	Run Reverse	0 (non latching)
6	User programmable	User programmable	User programmable	User programmable

Pr 6.40, Pr 8.22, Pr 8.23 and Pr 8.24 are also saved when this parameter is modified.

A change to this parameter is only actioned when the drive is stopped, tripped or disabled. If the drive is active when this parameter is changed, the parameter will return to its pre-altered value on exit of edit mode or drive reset.

In mode 6 the user is free to assign the terminals as appropriate to their application.





**6.05 Unused parameter**

6.06	Injection braking level															
Coding	Bit	SP	FI	DE	Txt	VM	DP	ND	RA	NC	NV	PT	US	RW	BU	PS
							1		1				1	1	1	
Range	0.0 to 150.0%															
Default	100.0															
Update rate	Background															

Defines the current level used during DC injection braking as a percentage of motor rated current as defined by Pr 5.07.

6.07	Injection braking time															
Coding	Bit	SP	FI	DE	Txt	VM	DP	ND	RA	NC	NV	PT	US	RW	BU	PS
							1						1	1	1	
Range	0.0 to 25.0 s															
Default	1.0															
Update rate	2 ms															

Defines the time of injection braking where this is specified in stopping modes 2 to 4 (see Pr 6.01 on page 87).

<b>6.08</b>	<b>Unused parameter</b>
-------------	-------------------------

<b>6.09</b>	<b>Catch a spinning motor select {33}</b>															
<b>Coding</b>	Bit	SP	FI	DE	Txt	VM	DP	ND	RA	NC	NV	PT	US	RW	BU	PS
													1	1	1	
<b>Range</b>	0 to 3															
<b>Default</b>	0															
<b>Update rate</b>	Background															

Pr 6.09	Function
0	Disabled
1	Detect positive and negative frequencies
2	Detect positive frequencies only
3	Detect negative frequencies only

When the drive is enabled with this bit at 0, the output frequency starts at zero and ramps to the required reference. When the drive is enabled and this parameter has a non-zero value, the drive performs a start-up test to determine the motor speed and then sets the initial output frequency to the synchronous frequency of the motor. The test is not carried out, and the motor frequency starts at zero, if the run command is given when the drive is in a stopping state, or when the drive is first enabled after power up with UR 1 voltage mode, or when the run command is given in UR S voltage mode.

**NOTE**

For the test to operate correctly it is important that the stator resistance (Pr 5.17, Pr 21.12) is set up correctly. This applies even if fixed boost (Fd) or square law (SrE) voltage mode is being used. The test uses the rated magnetising current of the motor during the test, therefore the rated current (Pr 5.07, Pr 21.07 and Pr 5.10, Pr 21.10) and power factor should be set to values close to those of the motor, although these parameters are not as critical as the stator resistance.

**NOTE**

Stationary lightly loaded motors with low inertia may move slightly during the test. The direction of the movement is undefined. Restrictions may be placed on the direction of this movement and on the frequencies detected by the drive as in the above table.

<b>6.10</b>	<b>Low DC bus operation</b>															
<b>Coding</b>	Bit	SP	FI	DE	Txt	VM	DP	ND	RA	NC	NV	PT	US	RW	BU	PS
	1												1	1		
<b>Range</b>	OFF(0) or On(1)															
<b>Default</b>	OFF(0)															
<b>Update rate</b>	Background															

- 0: OFF Low DC bus operation disabled
- 1: On Low DC bus operation enabled

The Low DC bus operation is designed to enable 3 phase 400VAC (medium voltage) Commander SKs to be run off a single phase 200VAC (low voltage) supply in the event of a primary 400VAC supply failure.

When the primary supply fails, the back up supply can be switched in. This will allow the drive to control the motor at a reduced power, for example to move an elevator up or down to the next floor.

There is no de-rating as such when low DC bus operation is enabled however the power will be limited by the reduced voltage and ripple generated on the DC bus of the drive.

When Pr 6.10 is enabled and the DC bus voltage is less than 330VDC, the drives display will flash Lo.AC (Low AC) to indicate that it is supplied from a low voltage back up supply.

**NOTE**

This mode is designed for use with a backup power supply and not for using a 400VAC (medium voltage) Commander SK in a 200VAC (low voltage) application. As shown in the following diagram, the drives power down save parameters are saved at point 2. If the drive was to be used on a 200VAC supply, the DC bus will never fall through point 2 and power down save parameters will not be saved.

Not available on Commander SK size 2 to 6.

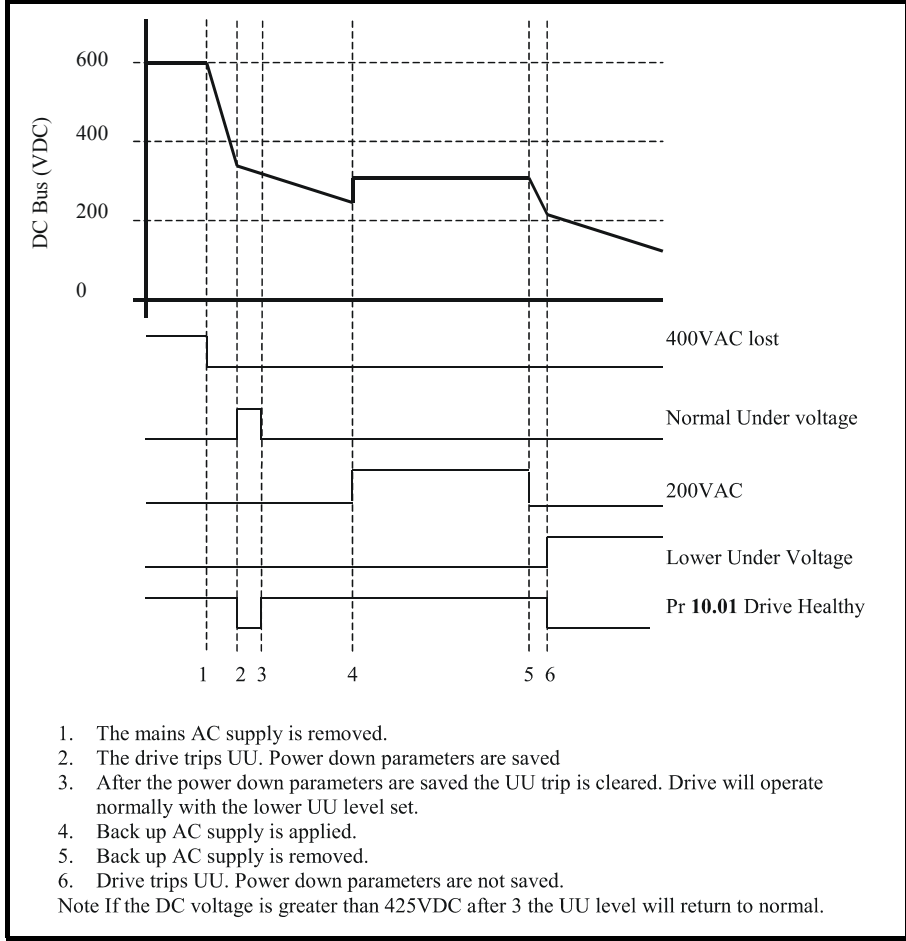
Low DC bus operation voltage levels (Pr 6.10 enabled)

- >425VDC - normal operation
- <330VDC - LoAC operation
- <230VDC - UV trip

See Figure 10-16 *Low DC bus operation* on page 92.

Only available on SKB, SKC and SKD.

**Figure 10-16 Low DC bus operation**



**NOTE**

Low DC bus is only available on Commander SKB, SKC and SKD.

6.11 Remote LED keypad function key status	
Coding	Bit SP FI DE Txt VM DP ND RA NC NV PT US RW BU PS
	1
Range	OFF(0) or On(1)
Default	OFF(0)
Update rate	Background

The remote LED display has a function key. When the key is pressed this parameter will be On(1) otherwise it will be OFF(0). This allows drive user programming to access the function key.

6.12 Enable stop key	
Coding	Bit SP FI DE Txt VM DP ND RA NC NV PT US RW BU PS
	1
Range	OFF(0) or On(1)
Default	Eur: OFF(0), USA: On(1)
Update rate	Background

This parameter permanently enables the Stop key on the drive such that the drive will always stop when the stop switch is pressed. If keypad mode is selected this has no effect because the stop key is automatically enabled.

The sequencer logic has been designed so that pressing the stop key, whether the stop key is enabled or not, does not make the drive change from a stopped to a running condition. As the stop key is also used to reset trips this means that if the stop key is pressed when the drive is tripped, the trip will be reset but the drive will not start. This is done as follows.

**Sequencer latching not enabled (Pr 6.40 = OFF)**

If the stop key is pressed when the stop key is enabled (Pr 6.12 = On) or when the drive is tripped the sequencer run is removed, and so the drive stops or remains stopped respectively. The sequencer run can only then be reapplied after at least one of the following conditions occurs.

1. Run forward, Run reverse and Run sequencing bits all zero
2. OR the drive is disabled via Pr 6.15 or Pr 6.29
3. OR Run forward and Run reverse are both active and have been for 60ms.

The drive can then be restarted by activating the necessary bits to give a normal start. This means that the drive cannot restart automatically after a trip, for example, by pressing the stop key.

**Sequencer latching enabled (Pr 6.40 = On)**

If the stop key is pressed when the stop key is enabled (Pr 6.12 = On) or when the drive is tripped the sequencer run is removed, and so the drive stops or remains stopped respectively. The sequencer run can only then be reapplied after at least one of the following conditions occurs.

1. Run forward, Run reverse and Run sequencing bits all zero after the latches
2. OR /Stop sequencing bit is zero
3. OR the drive is disabled via Pr 6.15 or Pr 6.29
4. OR Run forward and Run reverse are both active and have been for 60ms.

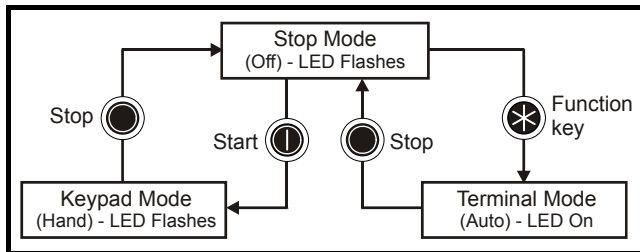
The drive can then be restarted by activating the necessary bits to give a normal start. This means that the drive cannot restart automatically after a trip, for example, by pressing the stop key. Note that Run forward and Run reverse together will reset the stop key condition, but the latches associated with Run forward and Run reverse must then be reset before the drive can be restarted.

6.13	Function key mode															
Coding	Bit	SP	FI	DE	Txt	VM	DP	ND	RA	NC	NV	PT	US	RW	BU	PS
													1	1		
<b>Range</b>	0 to 6															
<b>Default</b>	0															
<b>Update rate</b>	Background read															

On the LED keypad:

**Modes:**

0. No function (Function key disabled)
1. Forward / Reverse toggle (keypad mode).  
Pressing the Function key will toggle between the forward and reverse direction of the motor.
2. Run reverse  
Pressing the Function key will run the drive in the reverse direction, the start button will run the drive in the forward direction.
3. Jog  
Pressing the Function key will jog the drive. As with the normal jog function the drive needs to be stopped for the jog function to operate. Giving the drive a start command when jogging will cause the motor to run at the speed reference selected in menu 1.
4. Auto  
On power up of the Keypad Remote, Stop (off) mode is assumed. The following modes are entered with the appropriate key press in each mode.



The Function key LED flashes to indicate waiting for a user action in Stop (off) mode and Keypad (Hand) mode .

The Function key LED stays on when in Terminal (Auto) mode.

5. User defined function

In this mode no function is assigned to the Function key, this mode allows the user to define their own function. This would normally be done through a user program in a LogicStick using Pr 6.11 to monitor key presses (Pr 6.11 = state of Function key).

On the LCD keypad:

This parameter enables the Fwd/Rev key to operate in keypad mode.

6. Forward/ Reverse toggle

**NOTE**

If the serial comms is lost to the keypad i.e. SCL trip, the drive will need to be power cycled. This is to ensure that the drive operates correctly.

6.14	Disable auto-reset on enable															
Coding	Bit	SP	FI	DE	Txt	VM	DP	ND	RA	NC	NV	PT	US	RW	BU	PS
	1												1	1		
<b>Range</b>	OFF(0) or On(1)															
<b>Default</b>	OFF(0)															
<b>Update rate</b>	2 ms															

0: OFF Auto reset on enable enabled

1: On Auto reset on enable disabled

If this parameter is set to On(1), the automatic reset on the toggle of the enable terminal of the drive is disabled.

6.15	Drive enable															
Coding	Bit	SP	FI	DE	Txt	VM	DP	ND	RA	NC	NV	PT	US	RW	BU	PS
	1												1	1	1	
Range	OFF(0) or On(1)															
Default	On(1)															
Update rate	2 ms															

0: OFF Drive disabled

1: On Drive enabled

Setting this parameter to OFF(0) will disable the drive. It must be at On(1) for the drive to run.

6.16	Electricity cost per kWh															
Coding	Bit	SP	FI	DE	Txt	VM	DP	ND	RA	NC	NV	PT	US	RW	BU	PS
							1						1	1	1	
Range	0.0 to 600.0 Currency/kWh															
Default	0.0															
Update rate	Background															

When this parameter is set up correctly for the local currency, Pr 6.26 will give an instantaneous read out of running cost.

6.17	Reset energy meter															
Coding	Bit	SP	FI	DE	Txt	VM	DP	ND	RA	NC	NV	PT	US	RW	BU	PS
	1									1				1		
Range	OFF(0) or On(1)															
Default	OFF(0)															
Update rate	Background															

If Pr 6.17 = On, the energy meter (Pr 6.24 and Pr 6.25) is reset and held at zero.

6.18 to 6.21	Unused parameters															
--------------	-------------------	--	--	--	--	--	--	--	--	--	--	--	--	--	--	--

6.22	Run time log: years.days															
Coding	Bit	SP	FI	DE	Txt	VM	DP	ND	RA	NC	NV	PT	US	RW	BU	PS
							3	1		1		1			1	1
Range	0.000 to 9.365 years.days															
Update rate	Background															

6.23	Run time log: hours.minutes															
Coding	Bit	SP	FI	DE	Txt	VM	DP	ND	RA	NC	NV	PT	US	RW	BU	PS
							2	1		1		1			1	1
Range	0.00 to 23.59 hours.minutes															
Update rate	Background															

The run time log increments when the drive inverter is active to indicate the amount of time that the drive has been running since leaving the manufacturing plant.

6.24	Energy meter: MWh															
Coding	Bit	SP	FI	DE	Txt	VM	DP	ND	RA	NC	NV	PT	US	RW	BU	PS
							1	1		1		1				1
Range	±999.9 MWh															
Update rate	Background															

<b>6.25</b>	<b>Energy meter: kWh</b>															
<b>Coding</b>	Bit	SP	FI	DE	Txt	VM	DP	ND	RA	NC	NV	PT	US	RW	BU	PS
							2	1		1		1				1
<b>Range</b>	±99.99 kWh															
<b>Update rate</b>	Background															

The energy meters indicate the energy supplied from and into the drive in kWh and MWh. Pr 6.24 and Pr 6.25 give an accumulated value of power used.

The energy meters are reset and held at zero when Pr 6.17 = On.

<b>6.26</b>	<b>Running cost</b>															
<b>Coding</b>	Bit	SP	FI	DE	Txt	VM	DP	ND	RA	NC	NV	PT	US	RW	BU	PS
			1					1		1		1				
<b>Range</b>	±3200 currency/hour															
<b>Update rate</b>	Background															

This parameter gives an instantaneous read out of the cost/hour of running the drive. This requires Pr 6.16 to be set up correctly.

<b>6.27 to 6.28</b>	<b>Unused parameters</b>															
---------------------	--------------------------	--	--	--	--	--	--	--	--	--	--	--	--	--	--	--

<b>6.29</b>	<b>Hardware enable</b>															
<b>Coding</b>	Bit	SP	FI	DE	Txt	VM	DP	ND	RA	NC	NV	PT	US	RW	BU	PS
	1									1				1	1	
<b>Range</b>	OFF(0) or On(1)															
<b>Default</b>	OFF(0)															
<b>Update rate</b>	2 ms															

Provides a means of disabling the drive from a programmable input. In order that the drive does not always require a separate enable terminal this parameter is automatically set to On(1) if a drive terminal is not programmed as an enable terminal. A change from 0 to 1 causes a drive reset if the drive is tripped (see Pr 6.14 on page 93). When a terminal is set to control this parameter the drive terminal always has over riding control.

**NOTE**

This parameter is not designed to be used with the Solutions Modules.

<b>6.30</b>	<b>Sequencing bit: Run forward</b>															
<b>6.31</b>	<b>Sequencing bit: Jog forward</b>															
<b>6.32</b>	<b>Sequencing bit: Run reverse</b>															
<b>6.33</b>	<b>Sequencing bit: Forward/reverse</b>															
<b>6.34</b>	<b>Sequencing bit: Run</b>															
<b>6.35</b>	<b>Forward limit switch</b>															
<b>6.36</b>	<b>Reverse limit switch</b>															
<b>Coding</b>	Bit	SP	FI	DE	Txt	VM	DP	ND	RA	NC	NV	PT	US	RW	BU	PS
	1									1				1		
<b>Range</b>	OFF(0) or On(1)															
<b>Default</b>	OFF(0)															
<b>Update rate</b>	2 ms															

Digital inputs connected to limit switches should be routed to these parameters if stopping is required at a limit. The drive will respond in 5ms and stop the motor using the currently selected ramp rate. The limit switches are direction dependant so that the motor can rotate in a direction that allows the system to move away from the limit switch.

- Pre-ramp reference > 0Hz      Forward limit switch active
- Pre-ramp reference < 0Hz      Reverse limit switch active
- Pre-ramp reference = 0Hz      Both limit switches active

6.37		Sequencing bit: Jog reverse														
Coding	Bit	SP	FI	DE	Txt	VM	DP	ND	RA	NC	NV	PT	US	RW	BU	PS
	1									1				1		
Range	OFF(0) or On(1)															
Default	OFF(0)															
Update rate	2 ms															

6.38		Unused parameter													
------	--	------------------	--	--	--	--	--	--	--	--	--	--	--	--	--

6.39		Sequencing bit: /Stop														
Coding	Bit	SP	FI	DE	Txt	VM	DP	ND	RA	NC	NV	PT	US	RW	BU	PS
	1									1				1		
Range	OFF(0) or On(1)															
Default	OFF(0)															
Update rate	2 ms															

The drive sequencer uses bits (Pr 6.30 to Pr 6.39) as inputs rather than looking at the terminals directly. This allows the user to define the use of each terminal according to the requirements of each application.

Although these parameters are R/W, they are volatile and not stored on power down. Every time the drive powers up, they will be reset to OFF (0). The drive uses these sequencer bits to control the operation of the drive providing the keypad reference has not been selected. If the keypad reference has been selected, all the sequencing bits (apart from Pr 6.33 Forward/Reverse) are disregarded such that only the keypad keys are used to control the drive. Pr 6.33 is still enabled to allow the motor direction to be changed by a terminal connection when in keypad control. If the keypad reference has been selected, the run and stop keys are always operational.

The drive checks the state of the 'Run Forward' and 'Run Reverse' bits first. If either are set to On (1) but not both, then the drive will run in the commanded direction. If both are found to be OFF (0) then the sequencer looks at the 'Run' bit and if it is set then the drive runs in the direction commanded by the 'Forward/Reverse' bit (OFF (0) = forward, On (1) = reverse).

If the 'Jog' bit is set, the sequencer sets Pr 1.13 to On (1) to select the jog reference.

Pr 6.04 has a number of pre-determined set-ups that change the functions of the terminals. If the required set-up is not available in one of the pre-determined set-ups, Pr 6.04 can be set to USER to allow the desired set-up to be implemented.

Setting Pr 6.40 'Enable sequencer latching' to On (1) allows the Run Forward, Run Reverse and Run bits to become active from momentary inputs. When sequencer latching is enabled from the setting of Pr 6.04, a /Stop input must also be applied by using a digital input programmed to Pr 6.39. When the /Stop input becomes inactive, each of the three latches are reset. When the latches are disabled, they become transparent.

#### Pr 6.01 = mode 1 or 2 selected

As default, terminals B5 and B6 are configured as Run Forward and Run Reverse terminals. When either the Run Forward or Run Reverse is selected, there is no delay (apart from normal sampling delays) before the drive will run in the direction requested. If the drive is running forward or running reverse, there is also no delay when the run forward terminal or run reverse terminal is opened to stop the drive. Also, there is no delay if the run forward terminal is opened and the run reverse terminal closed or vice-versa to allow a change of motor direction.

#### Pr 6.01 = mode 0, 3 or 4 selected

When either the Run Forward or Run Reverse is selected, there is no delay (apart from normal sampling delays) before the drive will run in the direction requested. If the drive is running forward or running reverse, there is a delay of 60ms from when the terminal is opened until the command is carried out by the drive. Also, there is a delay of 60ms from when the run forward terminal is opened, to when the run reverse terminal must be closed or vice-versa to allow a change of motor direction. If the run reverse terminal or vice-versa is not closed within this 60ms, the drive will enter the programmed stopping mode.

The delay of 60ms is to allow the direction of motor rotation to be changed without entering a stopping mode i.e. if DC injection braking mode was selected and there was no 60ms delay, when the run forward terminal was opened, the drive would immediately go into the DC injection braking mode rather than ramp down and ramp back up in the reverse direction.

This 60ms delay can cause problems in some applications where a very fast response is required between motor direction changes when coast to stop or DC injection braking stopping modes is set.

One solution to the above is to set Pr 6.04 to mode 2 or 3 so that terminal B6 is set up as a forward/reverse terminal. This eliminates the 60ms delay when changing from forward to reverse or reverse to forward in all modes.

The following diagram shows the main operation of the sequencer in normal terminal and keypad modes. The diagram shows normal terminal control where the sequencer bits are used as inputs and keypad mode where the keypad keys are used as inputs.

In normal terminal operation, the sequencer has been designed to operate with run Forward and Run Reverse controls, and can be set up to accommodate a Run and Forward/Reverse selector.

#### Run Forward / Run Reverse Configuration

If Run Forward or Run Reverse control is required, then bits Pr 6.30 and Pr 6.32 should be used to control the drive (digital inputs should not be routed to Run and Forward/Reverse bits Pr 6.33 and Pr 6.34)

#### Run - Forward/Reverse Configuration

If Run control with Forward/Reverse selector is required, then bits Pr 6.33 and Pr 6.34 should be used to control the drive (digital inputs should not be routed to the Run Forward and Run Reverse bits Pr 6.30 and Pr 6.32)

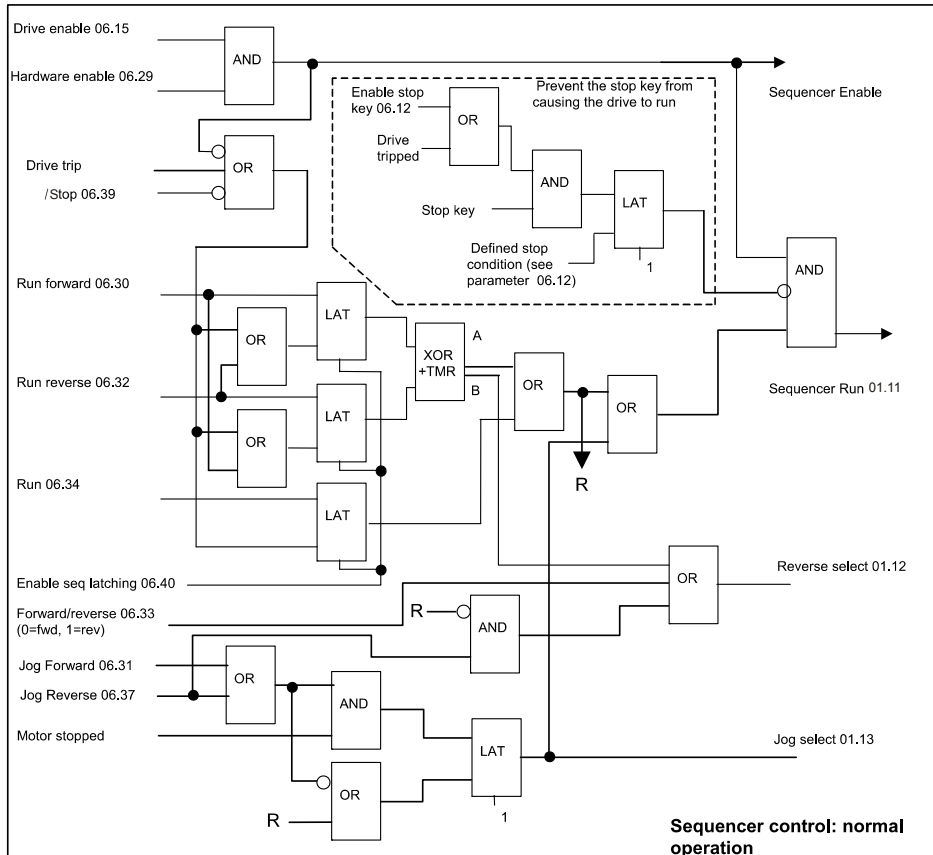


The Run, Run Forward or Run Reverse bits can be made latching by setting bit Pr **6.40**. The /Stop bit Pr **6.39** should be set to On (1) to allow the sequencing bits to be latched. If the /Stop bit is zero, all latches are cleared and held at zero.

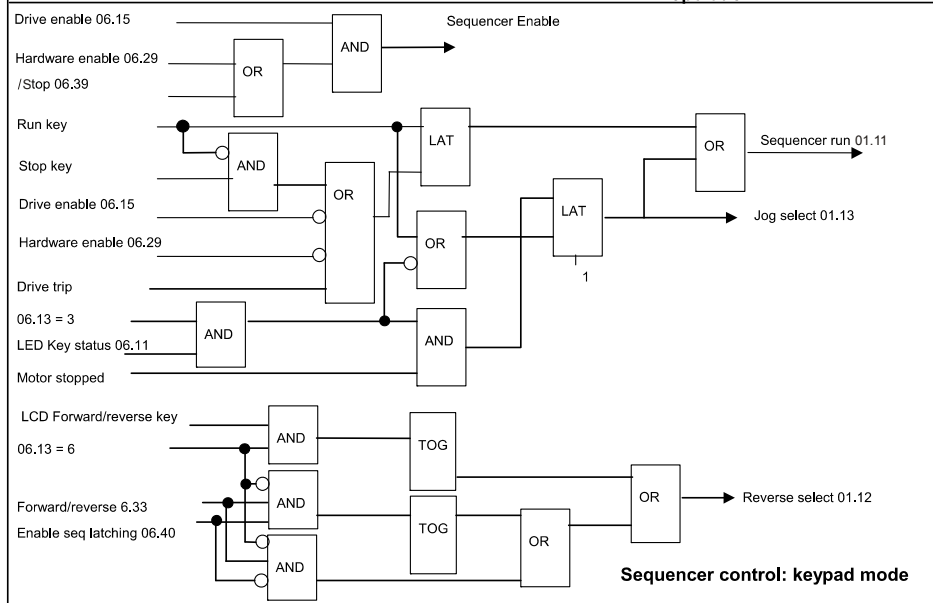
**Jog**  
 To allow the drive to run at jog speed, the Run Forward, Run Reverse or Run inputs must remain inactive while the Jog input is made active (drive must be enabled when enable input selected). If a Run command is given while the jog input is active, the drive will run at the normal speed reference selected in Menu 1. If the jog input is made active when the run input is already active, the drive will not act upon the jog input until the run input has been deactivated.

**NOTE**

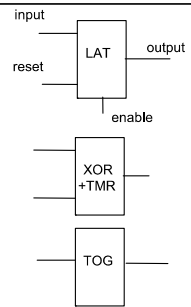
With a /Stop input Pr **6.39**, a change from a logic 0 to a 1 does not cause a trip reset. Also, Pr **6.39** is not automatically set to On (1) if a terminal is not programmed as a /Stop terminal.



**Sequencer control: normal operation**



**Sequencer control: keypad mode**



- Latch**
1. If the enable input is 0 the output follows the input
  2. If the enable input is 1 the output is always 0 if the reset input is active
  3. If the enable input is 1 and the reset input is 0 the output latches and stays at 1 if the input is 1
- Exclusive OR gate with timer**
1. The A output
    - a. is the exclusive OR of the inputs
    - b. If both inputs become active the output becomes 0, but with a delay of 60ms
    - c. If both inputs become inactive the output becomes 0 immediately, except in modes when 06.01=0, 3 or 4 (i.e. coast or injection stop modes) where the output becomes 0 with a delay of 60ms.
  2. The B output always follows the run reverse input (bottom input) except in modes when 06.01=0, 3 or 4 (i.e. coast or injection stop modes) where the output becomes 0 with a delay of 60ms.
- Toggle**
1. The output changes state on each non-active to active change at the input

<b>6.40</b>	<b>Enable sequencer latching</b>															
<b>Coding</b>	Bit	SP	FI	DE	Txt	VM	DP	ND	RA	NC	NV	PT	US	RW	BU	PS
	1									1				1		
<b>Range</b>	OFF(0) or On(1)															
<b>Default</b>	OFF(0)															
<b>Update rate</b>	2 ms															

This bit can be used to enable latches on the run forward, run reverse and run inputs to allow the drive to be controlled from momentary inputs. Also see Pr 6.04 on page 89 and Pr 6.30, Pr 6.32 and Pr 6.34 on page 95.

<b>6.41</b>	<b>Unused parameter</b>
-------------	-------------------------

<b>6.42</b>	<b>Control word</b>															
<b>Coding</b>	Bit	SP	FI	DE	Txt	VM	DP	ND	RA	NC	NV	PT	US	RW	BU	PS
										1				1	1	
<b>Range</b>	0 to 32767															
<b>Default</b>	0															
<b>Update rate</b>	2 ms															

<b>6.43</b>	<b>Control word enable</b>															
<b>Coding</b>	Bit	SP	FI	DE	Txt	VM	DP	ND	RA	NC	NV	PT	US	RW	BU	PS
	1													1	1	
<b>Range</b>	OFF(0) or On(1)															
<b>Default</b>	OFF(0)															
<b>Update rate</b>	2 ms															

Pr 6.42 and Pr 6.43 provide a method of controlling the sequencer inputs and other functions directly from a single control word. If Pr 6.43 = OFF the control word has no effect, if Pr 6.43 = On the control word is enabled. Each bit of the control word corresponds to a sequencing bit or function as shown below.

Bit	Function	Equivalent parameter
0	Drive enable	Pr 6.15
1	Run forward	Pr 6.30
2	Jog forward	Pr 6.31
3	Run reverse	Pr 6.32
4	Forward/reverse	Pr 6.33
5	Run	Pr 6.34
6	/Stop	Pr 6.39
7	Auto/manual	
8	Analog/Preset reference	Pr 1.42
9	Jog reverse	Pr 6.37
10	Reserved	
11	Reserved	
12	Trip drive	
13	Reset drive	Pr 10.33
14	Keypad watchdog	
15	Reserved	

#### Bits 0 to 7 & 9: sequencing control

When the control word is enabled (Pr 6.43 = On), and the Auto/manual bit (bit7) is also set to one (Pr 6.42), bits 0 to 6 of the control word become active. A hardware enable must also be active (Pr 6.29 = On). The equivalent parameters are not modified by these bits, but become inactive when the equivalent bits in the control word are active. When the bits are active they replace the functions of the equivalent parameters. For example, if Pr 6.43 = On and bit 7 of Pr 6.42 = On the drive enable is no longer controlled by Pr 6.15, but by bit 0 of the control word. If either Pr 6.43 = OFF, or bit 7 of Pr 6.42 = OFF, the drive enable is controlled by Pr 6.15.

#### Bit 8: Analog/preset reference

When the control word is enabled (Pr 6.43) bit 8 of the control word becomes active. (Bit 7 of the control word has no effect on this function.) The state of bit 8 is written to Pr 1.42. With default drive settings this selects analog reference 1 (bit 8 = 0) or preset reference 1 (bit 8 = 1). If any other drive parameters are routed to Pr 1.42 the value of Pr 1.42 is undefined.

#### Bit 12: Trip drive

When the control word is enabled (Pr 6.43) bit 12 of the control word becomes active. (Bit 7 of the control word has no effect on this function.) When

bit 12 is set to one a CL.bt trip is initiated. The trip cannot be cleared until the bit is set to zero.

**Bit 13: Reset drive**

When the control word is enabled (Pr 6.43) bit 13 of the control word becomes active. (Bit 7 of the control word has no effect on this function.) When bit 13 is changed from 0 to 1 the drive is reset. This bit does not modify the equivalent parameter (Pr 10.33).

**Bit 14: Keypad watchdog**

When the control word is enabled (Pr 6.43) bit 14 of the control word becomes active. (Bit 7 of the control word has no effect on this function.) A watchdog is provided for an external keypad or other device where a break in the communication link must be detected. The watchdog system can be enabled and/or serviced if bit 14 of the control word is changed from zero to one with the control word enabled. Once the watchdog is enabled it must be serviced at least once every second or an "SCL" trip occurs. The watchdog is disabled when an "SCL" trip occurs, and so it must be re-enabled when the trip is reset.

<b>6.44</b>	<b>Unused parameter</b>
-------------	-------------------------

<b>6.45</b>	<b>Force cooling fan to run at full speed</b>															
<b>Coding</b>	Bit	SP	FI	DE	Txt	VM	DP	ND	RA	NC	NV	PT	US	RW	BU	PS
	1												1	1		
<b>Range</b>	OFF(0) or On(1)															
<b>Default</b>	OFF(0)															
<b>Update rate</b>	Background															

0: OFF Fan controlled by drive

1: On Fan runs at full speed

When this parameter is set to OFF(0), the fan is controlled by the drive. If the heatsink temperature is 60°C or above the drive output current (Pr 4.01) is above 75% of the drive rated current or the option is over temperature, the fan will switch on and run at full speed for a minimum of 20s. After 20s, if the heatsink temperature falls below 60°C or the drive output current falls below 75% of the drive rated current, the fan will switch off. If the temperature remains above 60°C or the drive output current remains above 75% of the drive rated current, the fan will continue running at full speed.

When this parameter is set to On(1), the fan runs at full speed at all times when the drive is powered up (Commander SK size B and C).

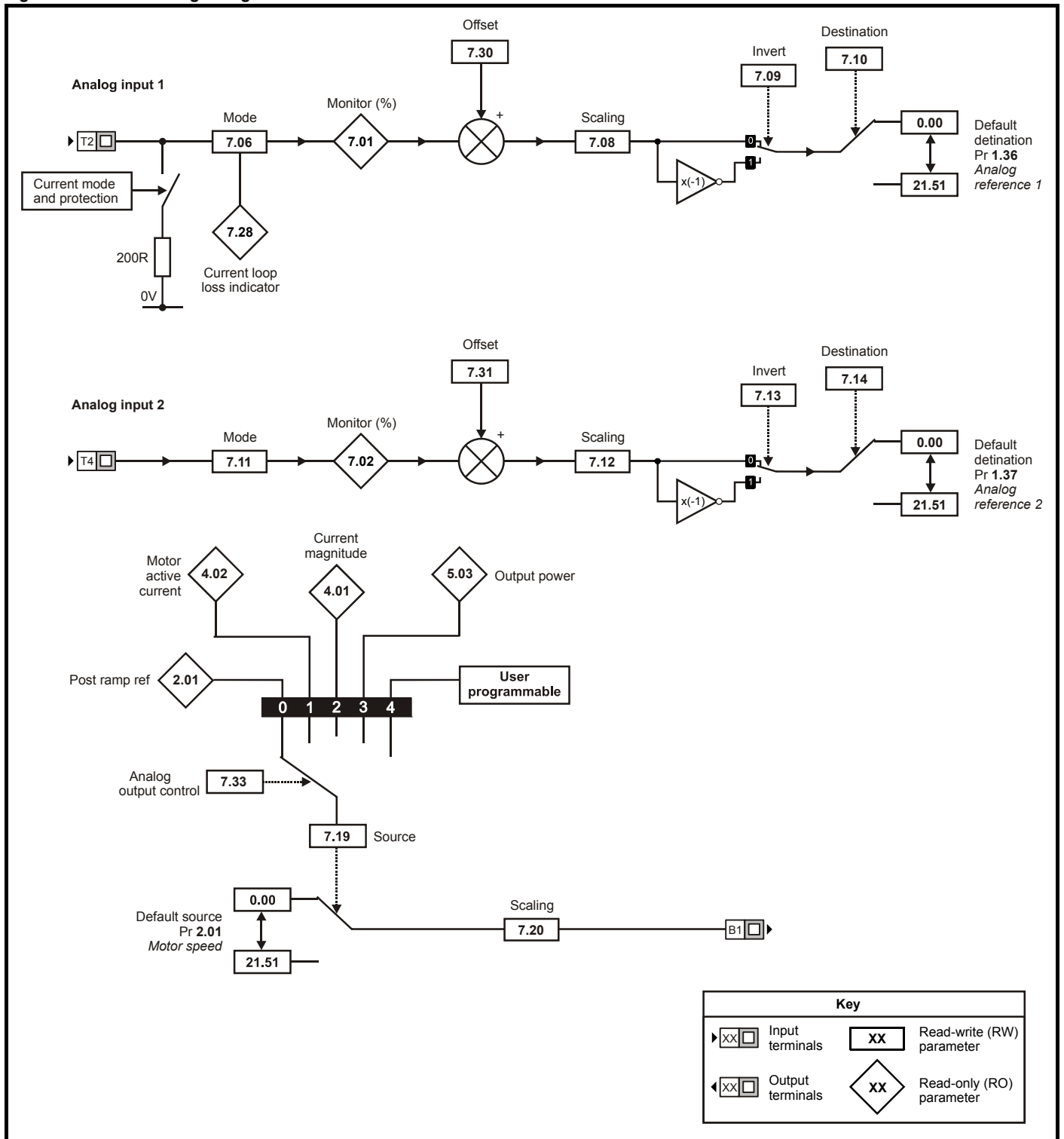
Refer to Pr 7.05 on page 103 for more information on the cooling fan for Commander SK size D and 2 to 6.

## 10.8 Menu 7: Analog inputs and outputs

Table 10-9 Menu 7 parameters: single line descriptions

	Parameter		Range	Default	Setting	Update Rate
7.01	Analog input 1 level (terminal T2)	{94}	0.0 to 100.0%			5 ms
7.02	Analog input 2 level (terminal T4)	{95}	0.0 to 100.0%			5 ms
7.03	Not used					
7.04	Heatsink temperature		-128 to 127 °C			B
7.05	Power circuit temperature 2		-128 to 127 °C			B
7.06	Analog input 1 mode (terminal T2)	{16}	0 -20(0), 20-0(1), 4-20(2), 20-4(3), 4-.20(4), 20-.4(5), VoLt(6)	4-.20(4)		B
7.07	Not used					
7.08	Analog input 1 scaling		0.000 to 4.000	1.000		B
7.09	Analog input 1 invert		OFF(0) or On(1)	OFF(0)		5 ms
7.10	Analog input 1 destination		Pr 0.00 to Pr 21.51	Pr 1.36		Drive reset
7.11	Analog input 2 mode (terminal T4)		VoLt(0) or dig(1)	VoLt(0)		B
7.12	Analog input 2 scaling		0.000 to 4.000	1.000		B
7.13	Analog input 2 invert		OFF(0) or On(1)	OFF(0)		5 ms
7.14	Analog input 2 destination		Pr 0.00 to Pr 21.51	Pr 1.37		Drive reset
7.15	Not used					
7.16	Not used					
7.17	Not used					
7.18	Not used					
7.19	Analog output source		Pr 0.00 to Pr 21.51	Pr 2.01		Drive reset
7.20	Analog output scaling		0.000 to 4.000	1.000		21 ms
7.21	Not used					
7.22	Not used					
7.23	Not used					
7.24	Not used					
7.25	Not used					
7.26	Not used					
7.27	Not used					
7.28	Current loop loss indicator		OFF(0) or On(1)			5 ms
7.29	Not used					
7.30	Analog input 1 offset		±100.0%	0.0		5 ms
7.31	Analog input 2 offset		±100.0%	0.0		5 ms
7.32	Not used					
7.33	Analog output control (Terminal B1)	{36}	Fr(0), Ld(1), A(2), Por(3), USEr(4)	Fr(0)		Edit mode exit
7.34	IGBT junction temperature		±200 °C			B
7.35	Drive thermal protection accumulator		0 to 100%			B
7.36	Power circuit temperature 3		-128 to 127 °C			B

Figure 10-17 Menu 7 logic diagram



<b>7.01</b>	<b>Analog input 1 level (terminal T2) {94}</b>															
<b>Coding</b>	Bit	SP	FI	DE	Txt	VM	DP	ND	RA	NC	NV	PT	US	RW	BU	PS
							1	1		1		1			1	
<b>Range</b>	0.0 to 100.0%															
<b>Update rate</b>	5 ms															

This parameter displays the level of the analog signal present at analog input 1.

In voltage mode, this is a unipolar voltage input where the input range is 0 to +10V.

In current mode, this is a unipolar current input having a maximum measurable input of 20mA. The drive can be programmed to convert the measured current to any one of the defined ranges in Pr 7.06. The selected range is converted to 0 to 100.0%, the resolution being 10 bit for the 0 - 20mA range. Resolution is 0.1%. Accuracy: ± 2%

<b>7.02</b>	<b>Analog input 2 level (terminal T4) {95}</b>															
<b>Coding</b>	Bit	SP	FI	DE	Txt	VM	DP	ND	RA	NC	NV	PT	US	RW	BU	PS
							1	1		1		1			1	
<b>Range</b>	0.0 to 100.0%															
<b>Update rate</b>	5 ms															

This parameter display's the level of the analog input 2.

This is a unipolar voltage input having a range of 0 to +10V which is converted to 0 - 100%, the resolution being 10 bits.

Analog input 2 can also be configured as a digital input in which case this parameter will indicate 0 or 100% depending on the state of the input. Resolution is 0.1%. Accuracy: ± 2%

<b>7.03</b>	<b>Unused parameter</b>															
-------------	-------------------------	--	--	--	--	--	--	--	--	--	--	--	--	--	--	--

<b>7.04</b>	<b>Heatsink temperature</b>															
<b>Coding</b>	Bit	SP	FI	DE	Txt	VM	DP	ND	RA	NC	NV	PT	US	RW	BU	PS
								1		1		1				
<b>Range</b>	-128°C to 127°C															
<b>Update rate</b>	Background															

This parameter displays the temperature currently being measured on the heatsink. If the level reaches 95°C the drive will trip O.ht2 on the display. This is used as part of the drive's thermal model, see Pr 10.18 on page 131 for further details.

<b>7.05</b>	<b>Power circuit temperature 2</b>															
<b>Coding</b>	Bit	SP	FI	DE	Txt	VM	DP	ND	RA	NC	NV	PT	US	RW	BU	PS
								1		1		1				
<b>Range</b>	-128°C to 127°C															
<b>Update rate</b>	Background															

On Commander SK size 2 and 6, this is power pcb temperature;

on Commander SK size 3, this is rectifier temperature;

on Commander SK size 4 and 5, this is rectifier and power pcb temperature.

For drive sizes 2 to 5, two temperatures are available from the power circuit, and these are displayed in Pr 7.04 and Pr 7.05. For drive size 6, three temperatures are available from the power circuit, and these are displayed in Pr 7.04, Pr 7.05 and Pr 7.36.

If the temperature displayed in Pr 7.04, Pr 7.05 or Pr 7.36 exceeds the trip threshold for the parameter then an O.ht2 trip is initiated. This trip can only be reset if the parameter that has caused the trip falls below the trip reset level. If the temperature exceeds the alarm level a 'hot' alarm is displayed. If the temperature for any of these monitoring points is outside the range -20°C to 120°C it is assumed that the monitoring thermistor has failed and a hardware fault trip is initiated (Pr 7.04 causes HF27 trip, Pr 7.05 or Pr 7.36 causes HF28 trip).

**Table 10-10 Heatsink temperature (Pr 7.04) in °C**

Drive size	Trip temperature	Trip reset temperature	Alarm temperature
A to C	95	90	85
D and 2	115	110	100
3	120	115	100
4	72	67	68
5	72	67	68
6	92	87	85

Additional monitoring is used with drive size 6 to detect failure of the power circuit cooling fan. If this fan fails, the monitoring point used to derive heatsink temperature that is nearest the fan will raise temperature above its normal level, but not above the trip temperature for the power circuit. This is detected and can initiate an O.ht2 trip. The trip threshold is shown below.

Drive size	Trip temperature
6	67°C

**Table 10-11 Power circuit temperature 2 (Pr 7.05) in °C**

Drive size	Trip temperature	Trip reset temperature	Alarm temperature
2	100	95	95
3	98	93	94
4	78	73	72
5	78	73	72
6	78	73	72

**Table 10-12 Power circuit temperature 3 (Pr 7.36) in °C**

Drive size	Trip temperature	Trip reset temperature	Alarm temperature
6	85	80	80

#### Drive cooling fan

The temperature from monitoring points and other actions control the drive cooling fan as follows:

1. If Pr 6.45 = 1 the fan is at full speed for at least 20 seconds.
2. If a Solutions Module indicates that it is too hot, the fan will run at full speed for at least 20 seconds.
3. For drive size D and 2, the fan is at full speed if the drive is enabled and the highest power circuit temperature (Pr 7.04 or Pr 7.05) or the temperature calculated for the case of the IGBT package exceeds the threshold for the drive. The fan is at its low speed if this temperature falls 5°C below the threshold or the drive is disabled and the temperature is below the alarm level for Pr 7.04 and Pr 7.05.
4. For drive size 3 to 6, the fan speed is controlled above its minimum level if the drive is enabled and the highest power circuit temperature (Pr 7.04, Pr 7.05 or Pr 7.36) or the temperature calculated for the case of the IGBT package exceeds the lower threshold for the drive. The maximum fan speed is reached when the highest of these temperatures exceeds the upper threshold. The fan is at its minimum speed if the drive is disabled and the temperature is below the alarm level for Pr 7.04, Pr 7.05 and Pr 7.36.

The heatsink fan on Commander SK size D and 2 is a dual speed fan and on size 3 to 6 it is a variable speed fan. The drive controls the speed at which the fan runs based on the temperature of the heatsink and the drives thermal model system.

**Table 10-13 The thresholds are given in table below in °C**

Drive size	Fan threshold	Lower fan threshold	Upper fan threshold
A to D	60		
2	60		
3		55	70
4		55	62
5		55	62
6		55	65

7.06	Analog input 1 mode (terminal T2) {16}															
Coding	Bit	SP	FI	DE	Txt	VM	DP	ND	RA	NC	NV	PT	US	RW	BU	PS
					1								1	1	1	
Range	0 -20(0), 20-0(1), 4-20(2), 20-4(3), 4-.20(4), 20-.4(5), VoLt(6)															
Default	4-.20(4)															
Update rate	Background															

Terminal T2 is a voltage/current reference input. The setting of this parameter configures the terminal for the required mode.



Value	Display	Function
0	0-20	0 to 20mA
1	20-0	20 to 0mA
2	4-20	4 to 20mA with trip on loss
3	20-4	20 to 4mA with trip on loss
4	4-.20	4 to 20mA with no trip on loss
5	20-.4	20 to 4mA with no trip on loss
6	VoLt	0 to +10 volts

In modes 2 and 3, a current loop loss trip (cL1) will be generated if the current input falls below 3mA.

**NOTE**

If 4-20 or 20-4 modes are selected and the drive trips on current loop loss (cL1), analog reference 2 cannot be selected if the current reference is less than 3mA.

If 4-.20 or 20-.4 modes are selected, Pr 7.28 will switch from OFF to On to indicate that the current reference is less than 3mA.

**NOTE**

If both analog inputs (A1 and A2) are to be set-up as voltage inputs, and if the potentiometers are supplied from the drive's +10V rail (terminal T3), they must have a resistance >4kΩ.

<b>7.07</b>	<b>Unused parameter</b>
-------------	-------------------------

7.08	Analog input 1 scaling															
<b>Coding</b>	Bit	SP	FI	DE	Txt	VM	DP	ND	RA	NC	NV	PT	US	RW	BU	PS
							3						1	1	1	
<b>Range</b>	0.000 to 4.000															
<b>Default</b>	1.000															
<b>Update rate</b>	Background															

This parameter is used to scale the analog input if so desired. However in most cases it is not necessary as each input is automatically scaled such that for 100.0%, the destination parameters (defined by the settings of Pr 7.10 and Pr 7.14) will be at maximum.

7.09	Analog input 1 invert															
<b>Coding</b>	Bit	SP	FI	DE	Txt	VM	DP	ND	RA	NC	NV	PT	US	RW	BU	PS
	1												1	1		
<b>Range</b>	OFF(0) or On(1)															
<b>Default</b>	OFF(0)															
<b>Update rate</b>	5 ms															

This parameter can be used to invert the analog input reference (i.e. multiply the input scaling result by -1).

7.10	Analog input 1 destination															
<b>Coding</b>	Bit	SP	FI	DE	Txt	VM	DP	ND	RA	NC	NV	PT	US	RW	BU	PS
			1				2					1	1	1	1	
<b>Range</b>	Pr 0.00 to Pr 21.51															
<b>Default</b>	Pr 1.36															
<b>Update rate</b>	Read on drive reset															

As default, this parameter is set-up automatically according to the drive configuration (see Pr 11.27 on page 140).

Only parameters which are not protected can be controlled by analog inputs. If a non valid parameter is programmed to the destination of an analog input, the input is not routed anywhere.

After a modification to this parameter, the destination is only changed when a reset is performed.

<b>7.11</b>	<b>Analog input 2 mode (terminal T4)</b>															
<b>Coding</b>	Bit	SP	FI	DE	Txt	VM	DP	ND	RA	NC	NV	PT	US	RW	BU	PS
					1								1	1	1	
<b>Range</b>	VoLt(0) or dig(1)															
<b>Default</b>	VoLt(0)															
<b>Update rate</b>	Background															

Analog input 2 can be configured as either a 0 to +10V analog input or a +24V digital input (positive logic).

Value	Display	Function
0	VoLt	0 to +10V
1	dig	0 to +24V

<b>7.12</b>	<b>Analog input 2 scaling</b>															
<b>Coding</b>	Bit	SP	FI	DE	Txt	VM	DP	ND	RA	NC	NV	PT	US	RW	BU	PS
							3						1	1	1	
<b>Range</b>	0.000 to 4.000															
<b>Default</b>	1.000															
<b>Update rate</b>	Background															

When analog input 2 is set up for analog input, this parameter is used to scale the input (see Pr 7.08). When the input is defined as a digital input, this parameter has no effect.

<b>7.13</b>	<b>Analog input 2 invert</b>															
<b>Coding</b>	Bit	SP	FI	DE	Txt	VM	DP	ND	RA	NC	NV	PT	US	RW	BU	PS
	1												1	1		
<b>Range</b>	OFF(0) or On(1)															
<b>Default</b>	OFF(0)															
<b>Update rate</b>	5 ms															

When set-up as an analog input, this parameter can be used to invert the analog input reference (i.e. multiply the input scaling result by -1). For digital input, this parameter selects a digital inversion.

<b>7.14</b>	<b>Analog input 2 destination</b>															
<b>Coding</b>	Bit	SP	FI	DE	Txt	VM	DP	ND	RA	NC	NV	PT	US	RW	BU	PS
			1				2					1	1	1	1	
<b>Range</b>	Pr 0.00 to Pr 21.51															
<b>Default</b>	Pr 1.37															
<b>Update rate</b>	Read on drive reset															

As default, this parameter is set-up automatically according to the drive configuration (see Pr 11.27 on page 140).

Only parameters which are not protected can be controlled by analog inputs. If a non valid parameter is programmed to the destination of an analog input, the input is not routed anywhere.

After a modification to this parameter, the destination is only changed when a reset is performed.

<b>7.15 to 7.18</b>	<b>Unused parameters</b>
---------------------	--------------------------

<b>7.19</b>	<b>Analog output source</b>															
<b>Coding</b>	Bit	SP	FI	DE	Txt	VM	DP	ND	RA	NC	NV	PT	US	RW	BU	PS
							2					1	1	1	1	
<b>Range</b>	Pr 0.00 to Pr 21.51															
<b>Default</b>	Pr 2.01															
<b>Update rate</b>	Read on drive reset															

The parameter required to be represented as an analog signal by the analog output on terminal B1, should be programmed in this parameter.

This parameter is used in conjunction with Pr 7.33 to determine the analog output signal. Pr 7.33 has 4 pre-determined settings for easy set-up of the analog output. If the user requires to set Pr 7.19 to another parameter, then Pr 7.33 must be set to **4: USER**.

See Pr 7.33 for further details. If a non valid parameter is programmed as a source, the output will remain at zero.

**NOTE**

Users wanting to output load should be aware of the maximum values of the parameters they are routing to the output. The maximum value of Pr 4.02 (active current) is the maximum level of current that the drive can operate at which is drive rating x 2. Therefore, at rated load the analog output will be 1/2 x 10 = 5V. Users wishing to see 10V output at 100% load will need to set Pr 7.19 to Pr 4.20 and Pr 4.24 = 100.

<b>7.20</b>	<b>Analog output scaling</b>															
<b>Coding</b>	Bit	SP	FI	DE	Txt	VM	DP	ND	RA	NC	NV	PT	US	RW	BU	PS
							3						1	1	1	
<b>Range</b>	0.000 to 4.000															
<b>Default</b>	1.000															
<b>Update rate</b>	21 ms															

This parameter can be used to scale the analog output if so desired. However in most cases it is not necessary as the output is automatically scaled such that when the source parameter is at its maximum, the analog output will be at its maximum.

<b>7.21 to 7.27</b>	<b>Unused parameters</b>
---------------------	--------------------------

<b>7.28</b>	<b>Current loop loss indicator</b>															
<b>Coding</b>	Bit	SP	FI	DE	Txt	VM	DP	ND	RA	NC	NV	PT	US	RW	BU	PS
	1							1		1		1				
<b>Range</b>	OFF(0) or On(1)															
<b>Update rate</b>	5 ms															

If analog input 1 is programmed in any of the modes 2 to 5 (see Pr 7.06 on page 104) then this bit is set to On(1) if the current input falls below 3mA. This bit can be designated to a digital output to indicate that the current input is less than 3mA.

<b>7.29</b>	<b>Unused parameter</b>
-------------	-------------------------

<b>7.30</b>	<b>Analog input 1 offset</b>															
<b>7.31</b>	<b>Analog input 2 offset</b>															
<b>Coding</b>	Bit	SP	FI	DE	Txt	VM	DP	ND	RA	NC	NV	PT	US	RW	BU	PS
							1						1	1		
<b>Range</b>	±100.0%															
<b>Default</b>	0.0															
<b>Update rate</b>	5 ms															

An offset can be added to each analog input with a range from -100% to 100%. If the sum of the input and the offset exceeds ±100% the results is limited to ±100%.

<b>7.32</b>	<b>Unused parameter</b>
-------------	-------------------------

<b>7.33</b>	<b>Analog output control (Terminal B1) {36}</b>															
<b>Coding</b>	Bit	SP	FI	DE	Txt	VM	DP	ND	RA	NC	NV	PT	US	RW	BU	PS
					1								1	1		
<b>Range</b>	Fr(0), Ld(1), A(2), Por(3), USEr(4)															
<b>Default</b>	Fr(0)															
<b>Update rate</b>	Actioned on exit of edit mode															

This offers a simple control of Pr 7.19 to change the analog output. Its function is used to set the value of Pr 7.19 between a frequency output, load output, current output, or power output, or to leave the value unchanged. A user wishing to change the analog output to something other than these must first program this parameter to USEr (or 4).

Pr 7.33	Display	Function	Pr 7.19
0	Fr	Frequency output	Pr 2.01
1	Ld	Load output	Pr 4.02
2	A	Current output	Pr 4.01
3	Por	Power output	Pr 5.03
4	USEr	Allows Pr 7.19 to be set up by user.	

**NOTE**

Analog output terminal update rate is 21ms.

0	Fr	Frequency output, Pr 7.19 = Pr 2.01 ( <i>Post ramp reference</i> ) 0V represents 0Hz/0rpm +10V represents the value of Pr 1.06 ( <i>Maximum set speed clamp</i> )
1	Ld	Load output, Pr 7.19 = Pr 4.02 ( <i>Active current</i> ) $V_{out} = \frac{\text{Active current}}{2 \times \text{Drive rated active current}} \times 10$
2	A	0 to 200% output current = 0 to 10V
3	Por	Where: $10V = \frac{\sqrt{3} \times \text{AC\_VOLTAGE\_MAX} \times \text{RATED\_CURRENT\_MAX} \times 2}{1000}$  AC_VOLTAGE_MAX = 0.7446 x DC_VOLTAGE_MAX

<b>7.34</b>	<b>IGBT junction temperature</b>															
<b>Coding</b>	Bit	SP	FI	DE	Txt	VM	DP	ND	RA	NC	NV	PT	US	RW	BU	PS
								1		1		1				
<b>Range</b>	±200 °C															
<b>Update rate</b>	Background															

The IGBT junction temperature is calculated using Heatsink temperature (Pr 7.04) and a thermal model of the drive power stage. The resulting temperature is displayed in this parameter. The calculated IGBT junction temperature is used to modify the drive switching frequency to reduce losses if the devices become too hot (see Pr 5.18 on page 80).

<b>7.35</b>	<b>Drive thermal protection accumulator</b>															
<b>Coding</b>	Bit	SP	FI	DE	Txt	VM	DP	ND	RA	NC	NV	PT	US	RW	BU	PS
								1		1		1			1	
<b>Range</b>	0 to 100%															
<b>Update rate</b>	Background															

In addition to monitoring the IGBT junction temperatures the drive includes a thermal protection system to protect the other components within the drive. This includes the effects of drive output current and DC bus ripple. The estimated temperature is displayed as a percentage of the trip level in this parameter. If the parameter value reaches 100% an O.ht3 trip is initiated.

<b>7.36</b>	<b>Power circuit temperature 3</b>															
<b>Coding</b>	Bit	SP	FI	DE	Txt	VM	DP	ND	RA	NC	NV	PT	US	RW	BU	PS
								1		1		1				
<b>Range</b>	-128°C to 127°C															
<b>Update rate</b>	Background															

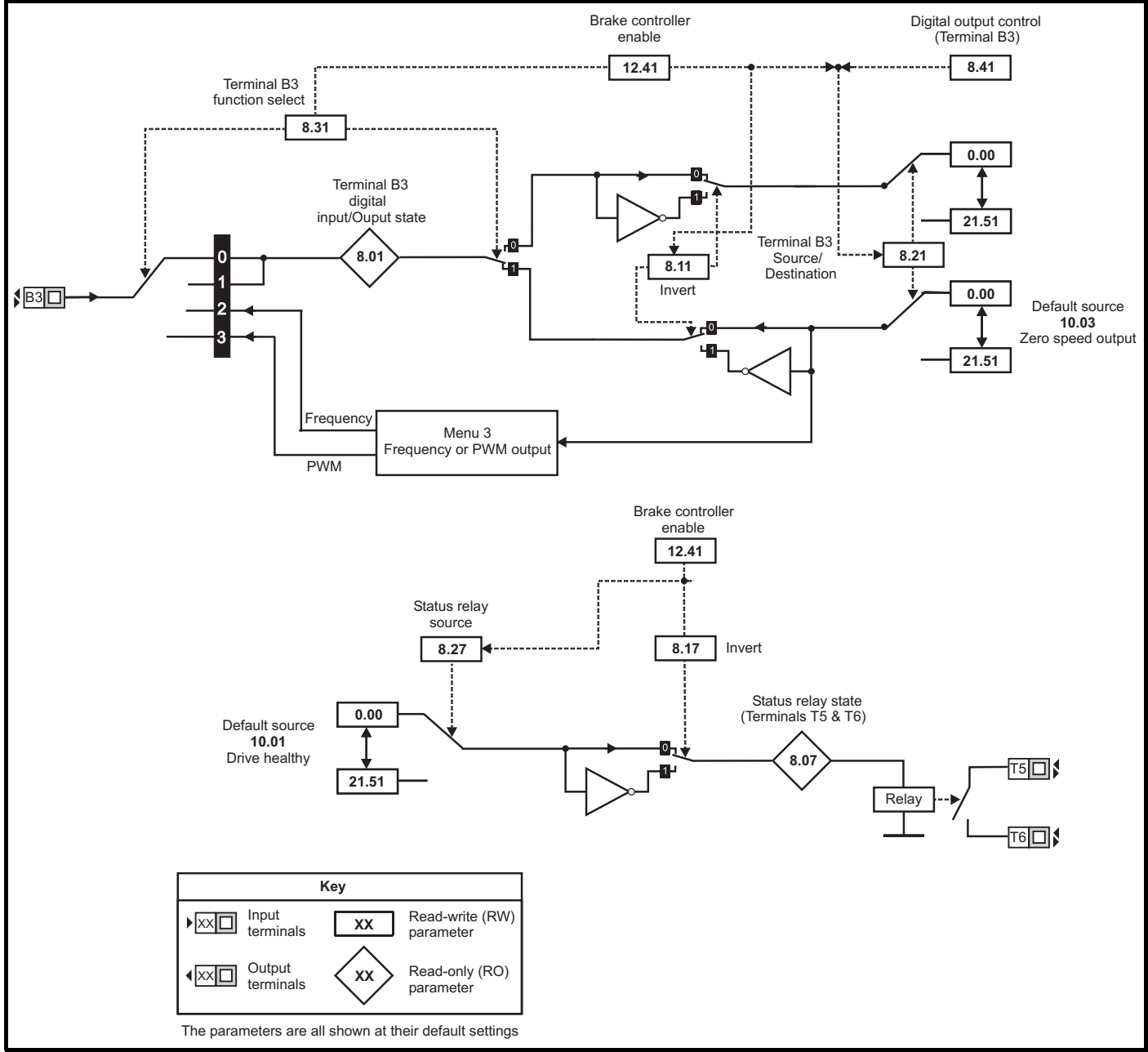
This parameter displays the temperature on the input rectifier on Commander SK size 6 only.

## 10.9 Menu 8: Digital inputs and outputs

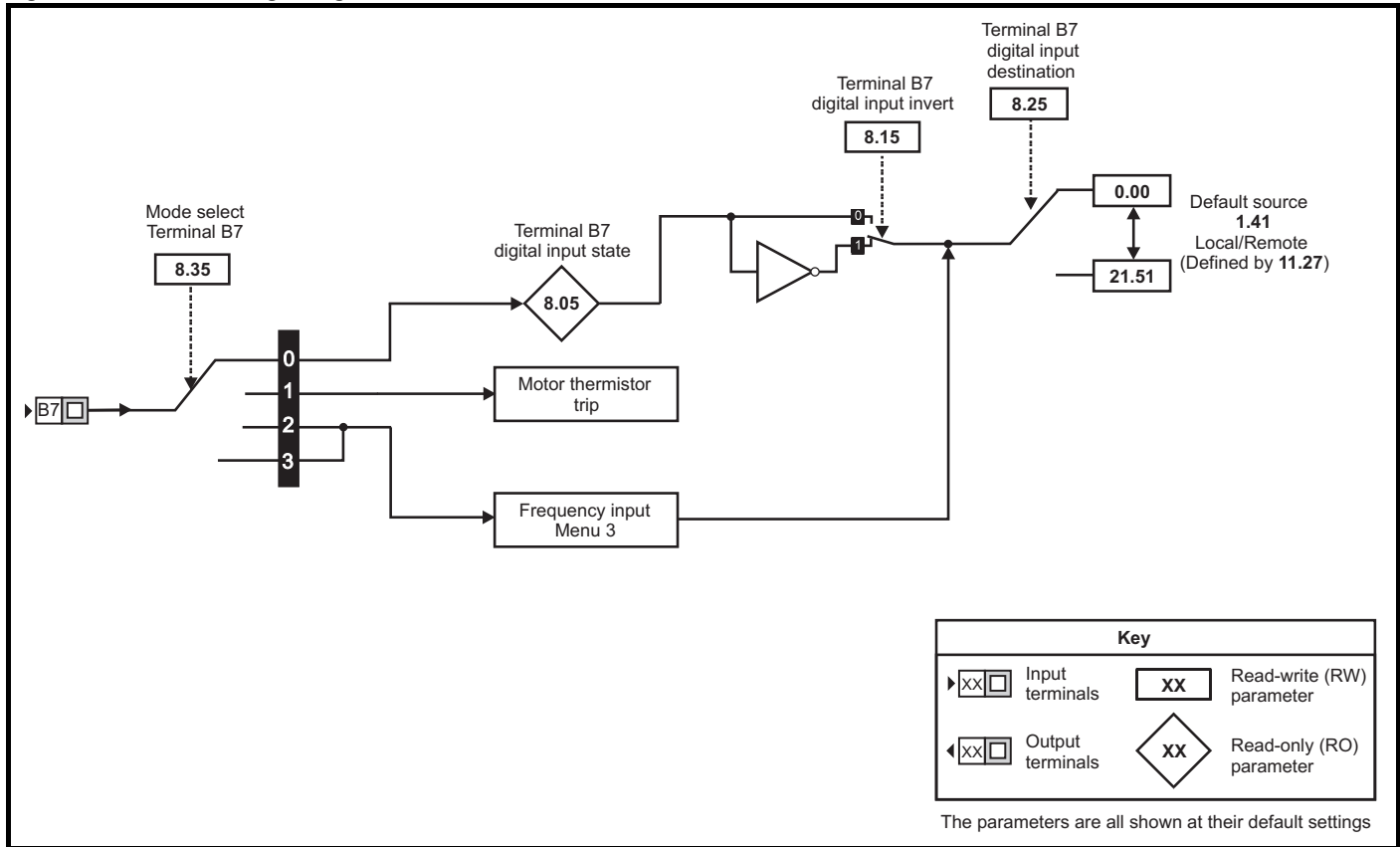
Table 10-14 Menu 8 parameters: single line descriptions

Parameter	Range	Default	Setting	Update Rate
8.01 Terminal B3 digital input/output state	OFF(0) or On(1)			2 ms
8.02 Terminal B4 digital input state	OFF(0) or On(1)			2 ms
8.03 Terminal B5 digital input state	OFF(0) or On(1)			2 ms
8.04 Terminal B6 digital input state	OFF(0) or On(1)			2 ms
8.05 Terminal B7 digital input state	OFF(0) or On(1)			2 ms
8.06 Not used				
8.07 Status relay state (Terminals T5 & T6)	OFF(0) or On(1)			2 ms
8.08 Not used				
8.09 Not used				
8.10 Not used				
8.11 Terminal B3 digital input/output invert	OFF(0) or On(1)	OFF(0)		2 ms
8.12 Terminal B4 digital input invert	OFF(0) or On(1)	OFF(0)		2 ms
8.13 Terminal B5 digital input invert	OFF(0) or On(1)	OFF(0)		2 ms
8.14 Terminal B6 digital input invert	OFF(0) or On(1)	OFF(0)		2 ms
8.15 Terminal B7 digital input invert	OFF(0) or On(1)	On(1)		2 ms
8.16 Not used				
8.17 Status relay invert	OFF(0) or On(1)	OFF(0)		2 ms
8.18 Not used				
8.19 Not used				
8.20 Digital I/O read word {90}	0 to 95			B
8.21 Terminal B3 digital input destination/output source	Pr 0.00 to 21.51	Pr 10.03		Drive reset
8.22 Terminal B4 digital input destination	Pr 0.00 to 21.51	Pr 6.29		Drive reset
8.23 Terminal B5 digital input destination	Pr 0.00 to 21.51	Pr 6.30		Drive reset
8.24 Terminal B6 digital input destination	Pr 0.00 to 21.51	Pr 6.32		Drive reset
8.25 Terminal B7 digital input destination	Pr 0.00 to 21.51	Pr 1.41		Drive reset
8.26 Not used				
8.27 Status relay source	Pr 0.00 to 21.51	Pr 10.01		Drive reset
8.28 Not used				
8.29 Not used				
8.30 Not used				
8.31 Terminal B3 mode select	in(0), out(1), Fr(2), PuLS(3)	out(1)		B
8.32 Not used				
8.33 Not used				
8.34 Not used				
8.35 Terminal B7 mode select {34}	dig(0), th(1), Fr(2), Fr.hr(3)	dig(0)		B
8.36 Not used				
8.37 Not used				
8.38 Not used				
8.39 Not used				
8.40 Not used				
8.41 Digital output control (Terminal B3) {35}	n=0(0), At.SP(1), Lo.SP(2), hEAL(3), Act(4), ALAr(5), I.Lt(6), At.Ld(7), USEr(8)	n=0(0)		Edit mode exit

Figure 10-18 Menu 8A logic diagram



**Figure 10-19 Menu 8B logic diagram**



**Figure 10-20 Menu 8C logic diagram**

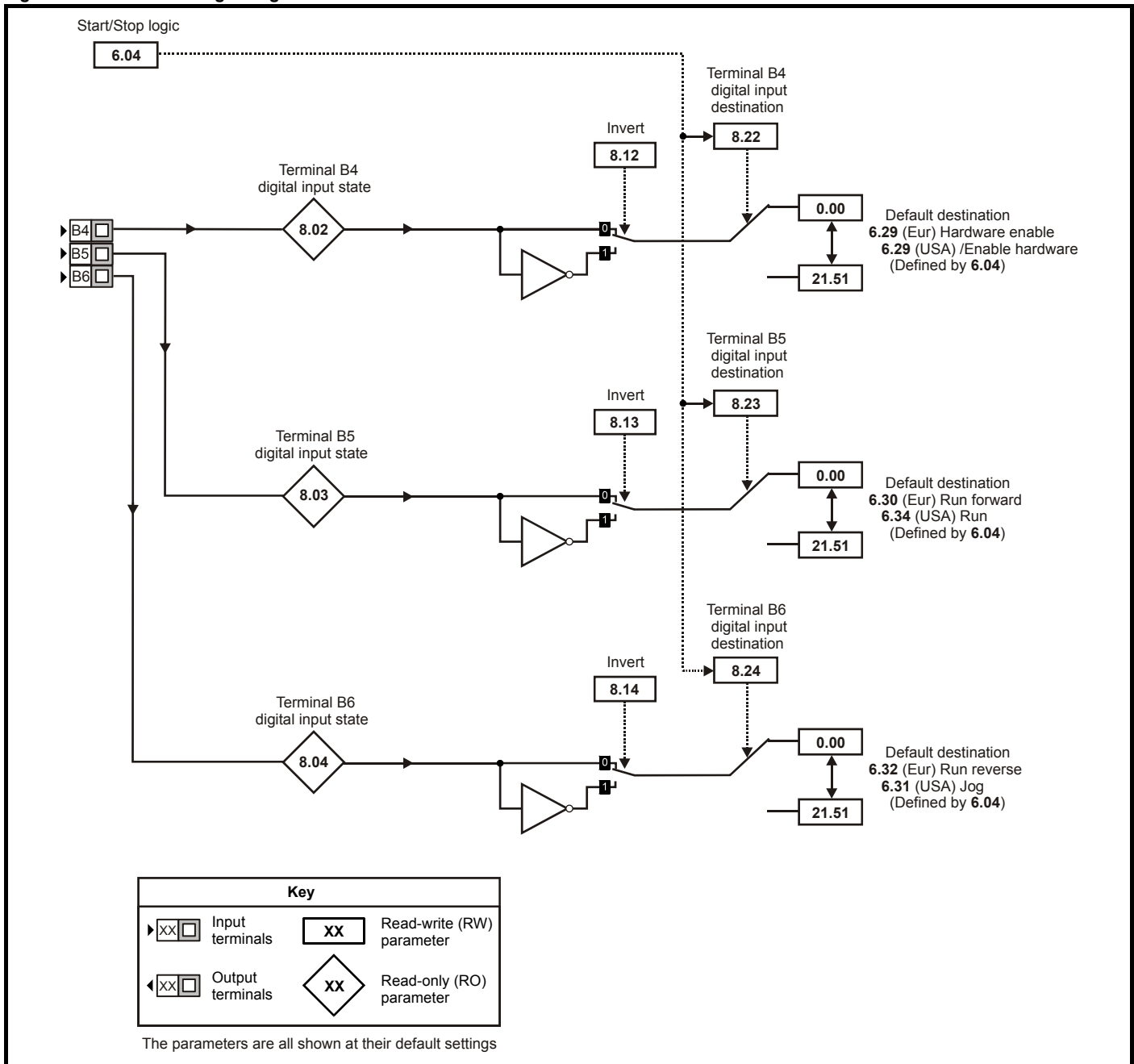
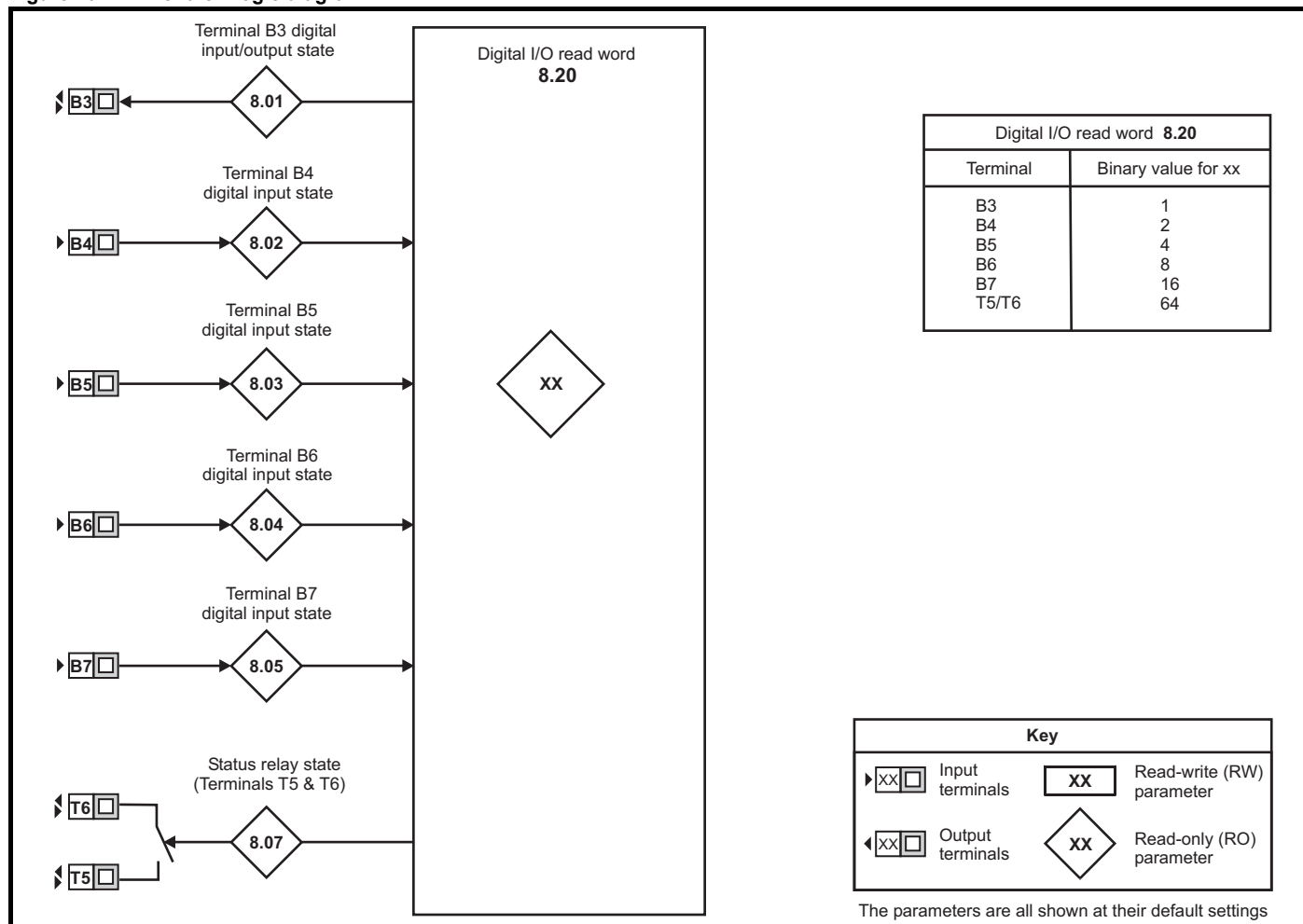




Figure 10-21 Menu 8D logic diagram



Terminals B3 to B7 are five programmable input terminals. In addition terminal B3 can also be programmed as an output terminal, and terminal B7 can be programmed as a motor thermistor input. If an external trip is required then one of the terminals should be programmed to control the External Trip parameter (Pr 10.32) with the invert set to On so that the terminal must be made active for the drive not to trip.

**NOTE**

The digital inputs are set-up in positive logic only. This logic cannot be changed.

<b>8.01</b>	<b>Terminal B3 digital input/output state</b>															
<b>8.02</b>	<b>Terminal B4 digital input state</b>															
<b>8.03</b>	<b>Terminal B5 digital input state</b>															
<b>8.04</b>	<b>Terminal B6 digital input state</b>															
<b>8.05</b>	<b>Terminal B7 digital input state</b>															
<b>Coding</b>	Bit	SP	FI	DE	Txt	VM	DP	ND	RA	NC	NV	PT	US	RW	BU	PS
	1							1		1		1				
<b>Range</b>	OFF(0) or On(1)															
<b>Update rate</b>	2 ms															

0: OFF Inactive  
1: On Active

These parameters indicate the input and output state of the terminals

Terminals B4 to B7 are four programmable digital inputs. Terminal B3 is a digital output that can also be programmed as a digital input, using Pr 8.31. If an external trip is required, then one of the terminals should be programmed to control the external trip parameter (Pr 10.32), with the invert set to On(1) so that the terminal must be made active for the drive not to trip.

The digital inputs are sampled every 1.5ms and the digital output is updated every 21ms.

<b>8.06</b>	<b>Unused parameter</b>															
-------------	-------------------------	--	--	--	--	--	--	--	--	--	--	--	--	--	--	--

<b>8.07</b>	<b>Status relay state (Terminals T5 and T6)</b>															
<b>Coding</b>	Bit	SP	FI	DE	Txt	VM	DP	ND	RA	NC	NV	PT	US	RW	BU	PS
	1							1		1		1				
<b>Range</b>	OFF(0) or On(1)															
<b>Update rate</b>	2 ms															

0: OFF De-energized  
1: On Energized

This parameter indicates the state of the drive's status relay.

<b>8.08 to 8.10</b>	<b>Unused parameters</b>															
---------------------	--------------------------	--	--	--	--	--	--	--	--	--	--	--	--	--	--	--

<b>8.11</b>	<b>Terminal B3 digital input/output invert</b>															
<b>8.12</b>	<b>Terminal B4 digital input invert</b>															
<b>8.13</b>	<b>Terminal B5 digital input invert</b>															
<b>8.14</b>	<b>Terminal B6 digital input invert</b>															
<b>Coding</b>	Bit	SP	FI	DE	Txt	VM	DP	ND	RA	NC	NV	PT	US	RW	BU	PS
	1												1	1		
<b>Range</b>	OFF(0) or On(1)															
<b>Default</b>	OFF(0)															
<b>Update rate</b>	2 ms															

<b>8.15</b>	<b>Terminal B7 digital input invert</b>															
<b>Coding</b>	Bit	SP	FI	DE	Txt	VM	DP	ND	RA	NC	NV	PT	US	RW	BU	PS
	1												1	1	1	
<b>Range</b>	OFF(0) or On(1)															
<b>Default</b>	On(1)															
<b>Update rate</b>	2 ms															

Setting these parameters to On(1) causes the input sense to the destination parameter to be inverted or the output sense from the source to be inverted.

<b>8.16</b>	<b>Unused parameter</b>
-------------	-------------------------

<b>8.17</b>	<b>Status relay invert</b>															
<b>Coding</b>	Bit	SP	FI	DE	Txt	VM	DP	ND	RA	NC	NV	PT	US	RW	BU	PS
	1												1	1		
<b>Range</b>	OFF(0) or On(1)															
<b>Default</b>	OFF(0)															
<b>Update rate</b>	2 ms															

Setting this parameter to On(1) causes the relay sense to be inverted.

<b>8.18 to 8.19</b>	<b>Unused parameters</b>
---------------------	--------------------------

<b>8.20</b>	<b>Digital I/O read word {90}</b>															
<b>Coding</b>	Bit	SP	FI	DE	Txt	VM	DP	ND	RA	NC	NV	PT	US	RW	BU	PS
								1		1		1			1	
<b>Range</b>	0 to 95															
<b>Update rate</b>	Background															

This word is used to determine the status of the digital I/O by reading one parameter.

Pr 8.20 contains a binary value 'xx'. This binary value is determined by the state of Pr 8.01 to Pr 8.07. So for example, if all terminals were active the value displayed in Pr 8.20 would be the sum of the binary values shown in the table, i.e. 95.

Binary value for xx	Digital I/O
1	Terminal B3
2	Terminal B4
4	Terminal B5
8	Terminal B6
16	Terminal B7
64	Terminal T5/T6

<b>8.21</b>	<b>Terminal B3 digital input destination/output source</b>															
<b>8.22</b>	<b>Terminal B4 digital input destination</b>															
<b>8.23</b>	<b>Terminal B5 digital input destination</b>															
<b>8.24</b>	<b>Terminal B6 digital input destination</b>															
<b>8.25</b>	<b>Terminal B7 digital input destination</b>															
<b>Coding</b>	Bit	SP	FI	DE	Txt	VM	DP	ND	RA	NC	NV	PT	US	RW	BU	PS
			1				2					1	1	1	1	
<b>Range</b>	Destination: Pr 0.00 to Pr 21.51 Source: Pr 0.00 to Pr 21.51															
<b>Update rate</b>	Read on drive reset															

Parameter	Function	Default Setting	Description
8.21	Terminal B3 digital input destination/output source	10.03	Zero Speed (Output)
8.22	Terminal B4 digital input destination	6.29	Enable
8.23	Terminal B5 digital input destination	6.30	Run forward
8.24	Terminal B6 digital input destination	6.32	Run Reverse
8.25	Terminal B7 digital input destination	1.41	Reference select

The terminal configuration for Terminal B4, B5 and B6 can be changed using Pr 6.04.

Destination parameters define the parameter each of the programmable inputs is to control. Only parameters which are not protected can be controlled by the programmable digital inputs. If a non-valid parameter is programmed, the digital input is not routed anywhere.

Source parameters define the parameter to be represented by the digital output terminal. Only valid parameters can be selected as a source for a digital output. If a non-valid parameter is programmed, then the digital output will remain in the inactive state.

<b>8.26</b>	<b>Unused parameter</b>
-------------	-------------------------

<b>8.27</b>	<b>Status relay source</b>
<b>Coding</b>	Bit SP FI DE Txt VM DP ND RA NC NV PT US RW BU PS
<b>Range</b>	Pr 0.00 to Pr 21.51
<b>Default</b>	Pr 10.01
<b>Update rate</b>	Read on drive reset

This parameter defines the parameter to be represented by the status relay. Only valid parameters can be selected as a source for the relay output. If a non-valid parameter is programmed, then the relay will remain in the de-energized state.

<b>8.28 to 8.30</b>	<b>Unused parameters</b>
---------------------	--------------------------

<b>8.31</b>	<b>Terminal B3 mode select</b>
<b>Coding</b>	Bit SP FI DE Txt VM DP ND RA NC NV PT US RW BU PS
<b>Range</b>	in(0), out(1), Fr(2), PuLS(3)
<b>Default</b>	out(1)
<b>Update rate</b>	Background

This parameter selects the function of Terminal B3 as follows:

Value	Display	Function
0	in	Digital input
1	out	Digital output
2	Fr	Frequency output
3	PuLS	PWM output

If modes 1, 2 or 3 are selected, the digital input operation of the terminal is disabled.

In modes 0 and 1, terminal B3 will function as digital input/outputs which are described in menu 8.

In modes 2 and 3, terminal B3 will function as a frequency output or a PWM output as described in menu 3.

The frequency output will be scaled automatically to the source parameter. For example, with a source parameter of Pr 1.21 equal to 100 and an output frequency of 10kHz (Pr 3.18), when the value of Pr 1.21 is 50, the output frequency will be 5kHz.

**Examples**

From default, setting Pr 8.31=Fr, will give a 5kHz output with a 50Hz reference value, when Pr 8.21=2.01 (with Pr 8.41=USEr). By setting the scaling (Pr 3.17) to 0.01, this will give an output of 50 pulses/sec. With a 50Hz reference value.

From default, setting Pr 8.31=PuLS, will give a 24V output with a 50Hz reference value, when Pr 8.21=2.01 (Pr 8.41=USEr). By feeding this PWM output into a R/C network, a voltage output can be obtained. This output would be proportional to the frequency output of the drive.

<b>8.32 to 8.34</b>	<b>Unused parameters</b>
---------------------	--------------------------

<b>8.35</b>	<b>Terminal B7 mode select {34}</b>
<b>Coding</b>	Bit SP FI DE Txt VM DP ND RA NC NV PT US RW BU PS
<b>Range</b>	dig(0), th(1), Fr(2), Fr.hr(3)
<b>Default</b>	dig(0)
<b>Update rate</b>	Background

This parameter selects the function of Terminal B7 as follows:

Value	Display	Function
0	dig	Digital input
1	th	Thermistor input
2	Fr	Frequency input
3	Fr.hr	High resolution frequency input

If modes 1, 2 or 3 are selected, the digital input operation of the input is disabled.

In mode 0, the digital input functions as described in menu 8.

In mode 1, the input functions as a motor thermistor.

Trip resistance: 3kΩ

Reset resistance: 1k8

The drive will not trip if the thermistor goes short circuit.

**NOTE**

The thermistor going short circuit will not damage the drive.

**NOTE**

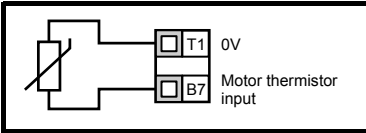
When Pr 8.35 is set to th, the mode button will need to be pressed four times to return the drive display to status mode. This ensures that this setting is saved.

When terminal B7 is set as motor thermistor input, Pr 1.41 is no longer assigned to terminal B7 therefore analog reference 2 is no longer selected. Analog reference 1 should be used.

There is no parameter to display the motor temperature.

Connect the motor thermistor between 0V and terminal B7.

**Figure 10-22 Connection diagram**



In modes 2 and 3, terminal B7 will function as a frequency input as described in menu 3.

The frequency input destination parameter, Pr 8.25 will be scaled by the maximum reference frequency, Pr 3.43. For example, (from default), setting Pr 8.25 = 1.21 and Pr 3.43 = 2kHz, with a frequency input of 1kHz on terminal B7, Pr 1.21 will be 25Hz.

**NOTE**

The amplitude of the frequency input must be above 15V peak to peak. The threshold voltage is 10V.

**8.36 to 8.40 Unused parameters**

<b>8.41</b>	<b>Digital output control (Terminal B3) {35}</b>															
<b>Coding</b>	Bit	SP	FI	DE	Txt	VM	DP	ND	RA	NC	NV	PT	US	RW	BU	PS
					1								1	1	1	
<b>Range</b>	n=0(0), At.SP(1), Lo.SP(2), hEAL(3), Act(4), ALAr(5), I.Lt(6), At.Ld(7), USEr(8)															
<b>Default</b>	n=0(0)															
<b>Update rate</b>	Action on exit of edit mode															

This parameter offers a simple control of Pr 8.21 to change the functionality of the digital output.

Its function is used to set the value of Pr 8.21 to one of the parameters listed below.

Value	Display	Function	Parameter Setting
0	n=0	At zero speed	Pr 8.21 = Pr 10.03
1	At.SP	At speed	Pr 8.21 = Pr 10.06
2	Lo.SP	At minimum speed	Pr 8.21 = Pr 10.04
3	hEAL	Drive ok	Pr 8.21 = Pr 10.01
4	Act	Drive active	Pr 8.21 = Pr 10.02
5	ALAr	General drive alarm	Pr 8.21 = Pr 10.19
6	I.Lt	Current limit active	Pr 8.21 = Pr 10.09
7	At.Ld	At 100% load	Pr 8.21 = Pr 10.08
8	USEr	Allows Pr 8.21 to be set up by user.	

A user wishing to change the digital output to something other than the one's listed above or using the terminal as an input, must first program this parameter to 8. Pr 8.21 should then be programmed to the desired unprotected parameter.

## 10.10 Menu 9: Programmable logic, motorized pot and binary sum

Table 10-15 Menu 9 parameters: single line descriptions

Parameter		Range	Default	Setting	Update Rate
9.01	Logic function 1 output	OFF(0) or On(1)			21 ms
9.02	Logic function 2 output	OFF(0) or On(1)			21 ms
9.03	Motorized pot output	±100.0%			21 ms
9.04	Logic function 1 source 1	Pr 0.00 to Pr 21.51	Pr 0.00		Drive reset
9.05	Logic function 1 source 1 invert	OFF(0) or On(1)	OFF(0)		21 ms
9.06	Logic function 1 source 2	Pr 0.00 to Pr 21.51	Pr 0.00		Reset
9.07	Logic function 1 source 2 invert	OFF(0) or On(1)	OFF(0)		21 ms
9.08	Logic function 1 output invert	OFF(0) or On(1)	OFF(0)		21 ms
9.09	Logic function 1 delay	±25.0 s	0.0		21 ms
9.10	Logic function 1 destination	Pr 0.00 to Pr 21.51	Pr 0.00		Drive reset
9.11	Not used				
9.12	Not used				
9.13	Not used				
9.14	Logic function 2 source 1	Pr 0.00 to Pr 21.51	Pr 0.00		Drive reset
9.15	Logic function 2 source 1 invert	OFF(0) or On(1)	OFF(0)		21 ms
9.16	Logic function 2 source 2	Pr 0.00 to Pr 21.51	Pr 0.00		Drive reset
9.17	Logic function 2 source 2 invert	OFF(0) or On(1)	OFF(0)		21 ms
9.18	Logic function 2 output invert	OFF(0) or On(1)	OFF(0)		21 ms
9.19	Logic function 2 delay	±25.0 s	0.0		21 ms
9.20	Logic function 2 destination	Pr 0.00 to Pr 21.51	Pr 0.00		Drive reset
9.21	Motorized pot mode	0 to 3	2		BR
9.22	Motorized pot bipolar select	OFF(0) or On(1)	OFF(0)		21 ms
9.23	Motorized pot rate	0 to 250 s	20		B
9.24	Motorized pot scale factor	0.000 to 4.000	1.000		B
9.25	Motorized pot destination	Pr 0.00 to Pr 21.51	Pr 0.00		Drive reset
9.26	Motorized pot up	OFF(0) or On(1)	OFF(0)		21 ms
9.27	Motorized pot down	OFF(0) or On(1)	OFF(0)		21 ms
9.28	Motorized pot reset	OFF(0) or On(1)	OFF(0)		21 ms
9.29	Binary sum one's input	OFF(0) or On(1)	OFF(0)		21 ms
9.30	Binary sum two's input	OFF(0) or On(1)	OFF(0)		21 ms
9.31	Binary sum four's input	OFF(0) or On(1)	OFF(0)		21 ms
9.32	Binary sum output	0 to 255			21 ms
9.33	Binary sum destination	Pr 0.00 to Pr 21.51	Pr 0.00		Drive reset
9.34	Binary sum offset	0 to 248	0		21 ms

Figure 10-23 Menu 9A logic diagram

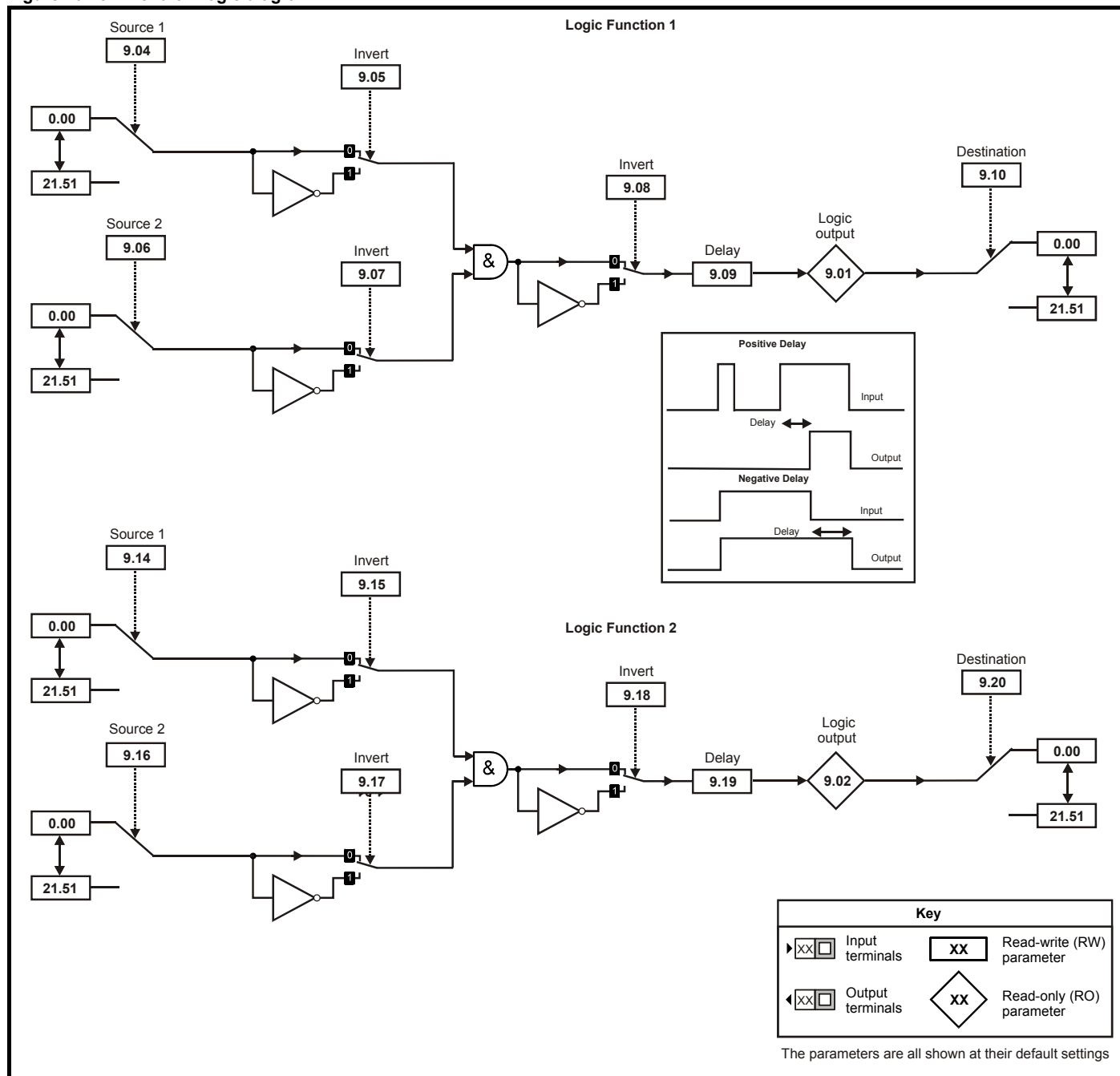
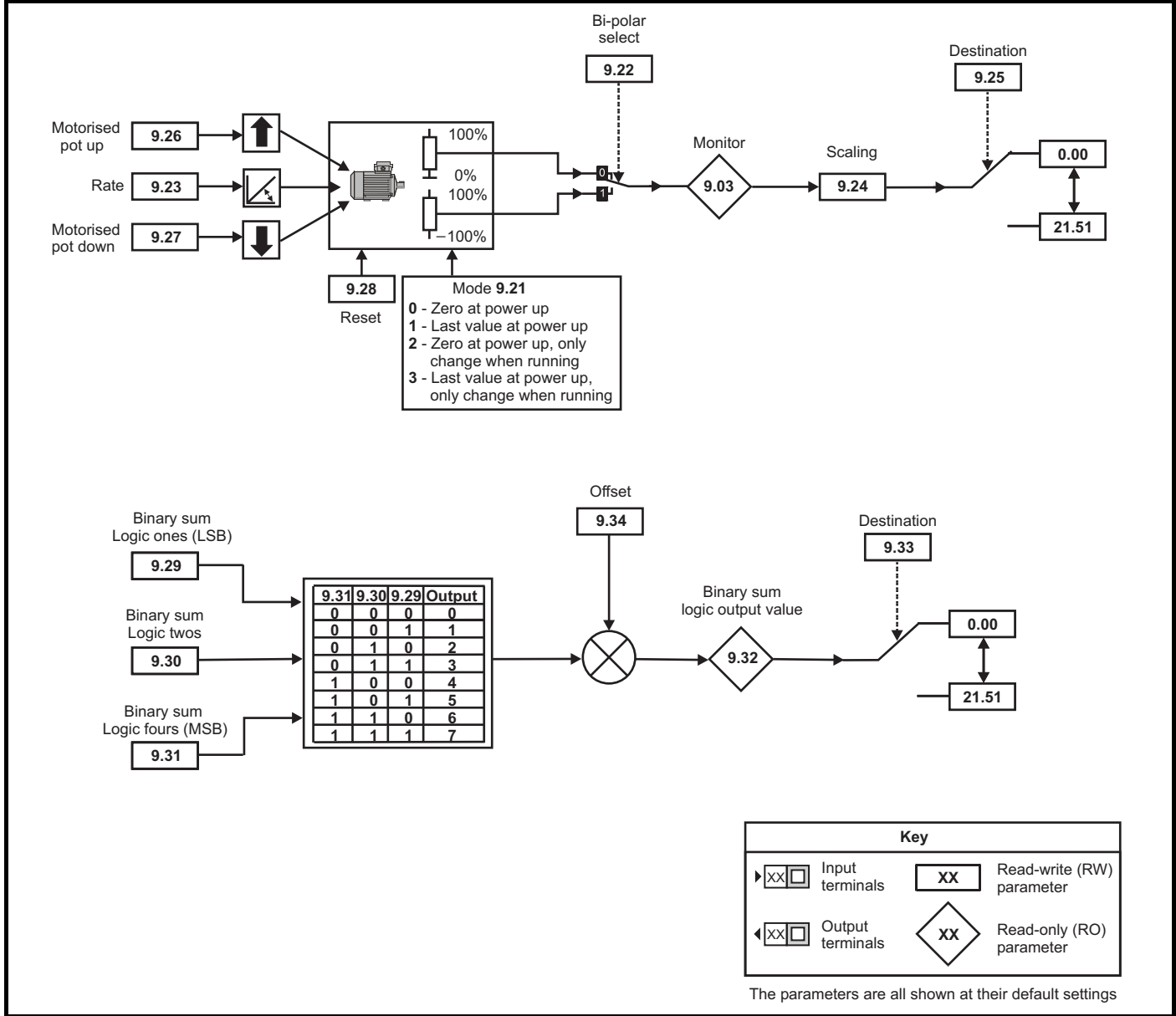


Figure 10-24 Menu 9B logic diagram





Menu 9 contains two programmable logic block functions (which can be used to produce any type of 2 input logic gate, with or without a delay), a motorized potentiometer function and a binary sum block.

The programmable logic functions are active only if both the sources are routed to a valid parameter.

**NOTE**

The motorized potentiometer or binary sum functions are only active if the output destination is routed to a valid unprotected parameter. If only the indicator parameter is required, the destination parameter should be routed to an unused valid parameter.

<b>9.01</b>	<b>Logic function 1 output</b>															
<b>9.02</b>	<b>Logic function 2 output</b>															
<b>Coding</b>	Bit	SP	FI	DE	Txt	VM	DP	ND	RA	NC	NV	PT	US	RW	BU	PS
	1							1		1		1				
<b>Range</b>	OFF(0) or On(1)															
<b>Update rate</b>	21 ms															

Indicates the output state of the programmable logic function. The output of the logic function can be routed to the digital output if required, by setting the appropriate digital output source in menu 8.

<b>9.03</b>	<b>Motorized pot output</b>															
<b>Coding</b>	Bit	SP	FI	DE	Txt	VM	DP	ND	RA	NC	NV	PT	US	RW	BU	PS
							1	1		1		1				1
<b>Range</b>	±100.0%															
<b>Update rate</b>	21 ms															

<b>9.04</b>	<b>Logic function 1 source 1</b>															
<b>Coding</b>	Bit	SP	FI	DE	Txt	VM	DP	ND	RA	NC	NV	PT	US	RW	BU	PS
							2					1	1	1	1	
<b>Range</b>	Pr 0.00 to Pr 21.51															
<b>Default</b>	Pr 0.00															
<b>Update rate</b>	Read on drive reset															

This source parameter and Pr 9.14 define the inputs for source 1 of the programmable logic functions.

Any valid parameter can be programmed into these inputs.

If one or both inputs to the logic function are invalid, then the logic output will always be 0.

<b>9.05</b>	<b>Logic function 1 source 1 invert</b>															
<b>Coding</b>	Bit	SP	FI	DE	Txt	VM	DP	ND	RA	NC	NV	PT	US	RW	BU	PS
	1												1	1		
<b>Range</b>	OFF(0) or On(1)															
<b>Default</b>	OFF(0)															
<b>Update rate</b>	21 ms															

Setting this parameter and Pr 9.15 to On(1) causes the input sense of the logic functions to be inverted.

<b>9.06</b>	<b>Logic function 1 source 2</b>															
<b>Coding</b>	Bit	SP	FI	DE	Txt	VM	DP	ND	RA	NC	NV	PT	US	RW	BU	PS
							2					1	1	1	1	
<b>Range</b>	Pr 0.00 to Pr 21.51															
<b>Default</b>	Pr 0.00															
<b>Update rate</b>	Read on drive reset															

This source parameter and Pr 9.16 defines the inputs for source 2 of the programmable logic functions.

Any valid parameter can be programmed into these inputs.

If one or both inputs to the logic function are invalid, then the logic output will always be 0.

9.07	Logic function 1 source 2 invert															
Coding	Bit	SP	FI	DE	Txt	VM	DP	ND	RA	NC	NV	PT	US	RW	BU	PS
	1												1	1		
Range	OFF(0) or On(1)															
Default	OFF(0)															
Update rate	21 ms															

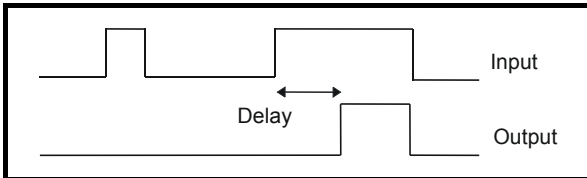
Setting this parameter and Pr 9.17 to a On(1) causes the input sense of the logic functions to be inverted.

9.08	Logic function 1 output invert															
Coding	Bit	SP	FI	DE	Txt	VM	DP	ND	RA	NC	NV	PT	US	RW	BU	PS
	1												1	1		
Range	OFF(0) or On(1)															
Default	OFF(0)															
Update rate	21 ms															

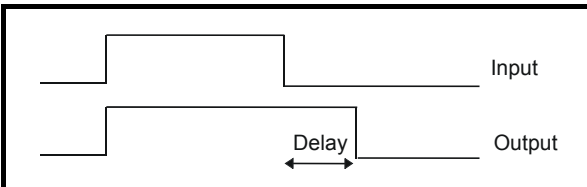
Setting this parameter and Pr 9.18 to On(1) causes the output sense from the logic functions to be inverted.

9.09	Logic function 1 delay															
Coding	Bit	SP	FI	DE	Txt	VM	DP	ND	RA	NC	NV	PT	US	RW	BU	PS
							1						1	1		
Range	±25.0 s															
Default	0.0															
Update rate	21 ms															

If the delay parameter is positive, the delay ensures that the output does not become active until an active condition has been present at the input for the delay time as shown below.



If the delay parameter is negative, the delay holds the output active for the delay period after the active condition has been removed as shown below. Therefore an active input that lasts for as long as the sample time or more will produce an output that lasts at least as long as the delay time.



9.10	Logic function 1 destination															
Coding	Bit	SP	FI	DE	Txt	VM	DP	ND	RA	NC	NV	PT	US	RW	BU	PS
							2					1	1	1	1	
Range	Pr 0.00 to Pr 21.51															
Default	Pr 0.00															
Update rate	Read on drive reset															

This destination parameter and Pr 9.20 define the parameters to be controlled by the logic function. Only non-protected parameters can be programmed as a destination. If a invalid parameter is programmed, the output is not routed anywhere.

9.11 to 9.13	Unused parameters															
--------------	-------------------	--	--	--	--	--	--	--	--	--	--	--	--	--	--	--

<b>9.14</b>	<b>Logic function 2 source 1</b>															
<b>Coding</b>	Bit	SP	FI	DE	Txt	VM	DP	ND	RA	NC	NV	PT	US	RW	BU	PS
							2					1	1	1	1	
<b>Range</b>	Pr 0.00 to Pr 21.51															
<b>Default</b>	Pr 0.00															
<b>Update rate</b>	Read on drive reset															

This source parameter and Pr 9.04 define the inputs for source 1 of the programmable logic functions.

Any valid parameter can be programmed into these inputs.

If one or both inputs to the logic function are invalid, then the logic output will always be 0.

<b>9.15</b>	<b>Logic function 2 source 1 invert</b>															
<b>Coding</b>	Bit	SP	FI	DE	Txt	VM	DP	ND	RA	NC	NV	PT	US	RW	BU	PS
	1												1	1		
<b>Range</b>	OFF(0) or On(1)															
<b>Default</b>	OFF(0)															
<b>Update rate</b>	21 ms															

Setting this parameter and Pr 9.05 to On(1) causes the input sense of the logic functions to be inverted.

<b>9.16</b>	<b>Logic function 2 source 2</b>															
<b>Coding</b>	Bit	SP	FI	DE	Txt	VM	DP	ND	RA	NC	NV	PT	US	RW	BU	PS
							2					1	1	1	1	
<b>Range</b>	Pr 0.00 to Pr 21.51															
<b>Default</b>	Pr 0.00															
<b>Update rate</b>	Read on drive reset															

This source parameter and Pr 9.06 defines the inputs for source 2 of the programmable logic functions.

Any valid parameter can be programmed into these inputs.

If one or both inputs to the logic function are invalid, then the logic output will always be 0.

<b>9.17</b>	<b>Logic function 2 source 2 invert</b>															
<b>Coding</b>	Bit	SP	FI	DE	Txt	VM	DP	ND	RA	NC	NV	PT	US	RW	BU	PS
	1												1	1		
<b>Range</b>	OFF(0) or On(1)															
<b>Default</b>	OFF(0)															
<b>Update rate</b>	21 ms															

Setting this parameter and Pr 9.07 to On(1) causes the input sense of the logic functions to be inverted.

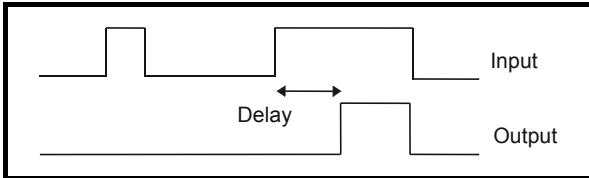
<b>9.18</b>	<b>Logic function 2 output invert</b>															
<b>Coding</b>	Bit	SP	FI	DE	Txt	VM	DP	ND	RA	NC	NV	PT	US	RW	BU	PS
	1												1	1		
<b>Range</b>	OFF(0) or On(1)															
<b>Default</b>	OFF(0)															
<b>Update rate</b>	21 ms															

Setting this parameter and Pr 9.08 to On(1) causes the output sense from the logic functions to be inverted.

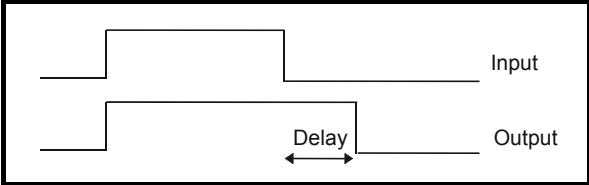
<b>9.19</b>	<b>Logic function 2 delay</b>															
<b>Coding</b>	Bit	SP	FI	DE	Txt	VM	DP	ND	RA	NC	NV	PT	US	RW	BU	PS
							1						1	1		
<b>Range</b>	±25.0 s															
<b>Default</b>	0.0															
<b>Update rate</b>	21 ms															

If the delay parameter is positive, the delay ensures that the output does not become active until an active condition has been present at the input for

the delay time as shown below.



If the delay parameter is negative, the delay holds the output active for the delay period after the active condition has been removed as shown below. Therefore an active input that lasts for as long as the sample time or more will produce an output that lasts at least as long as the delay time.



<b>9.20</b>	<b>Logic function 2 destination</b>															
<b>Coding</b>	Bit	SP	FI	DE	Txt	VM	DP	ND	RA	NC	NV	PT	US	RW	BU	PS
							2					1	1	1	1	
<b>Range</b>	Pr 0.00 to Pr 21.51															
<b>Default</b>	Pr 0.00															
<b>Update rate</b>	Read on drive reset															

This destination parameter and Pr 9.10 define the parameters to be controlled by the logic function. Only non-protected parameters can be programmed as a destination. If a invalid parameter is programmed, the output is not routed anywhere.

<b>9.21</b>	<b>Motorized pot mode</b>															
<b>Coding</b>	Bit	SP	FI	DE	Txt	VM	DP	ND	RA	NC	NV	PT	US	RW	BU	PS
													1	1	1	
<b>Range</b>	0 to 3															
<b>Default</b>	2															
<b>Update rate</b>	Background read															

The motorized pot modes are given in the table below:

Pr 9.21	Mode	Comments
0	Zero at power-up	Reset to zero at each power-up. Up, down and reset are active at all times.
1	Last value at power-up	Set to value at power-down when drive powered-up. Up, down and reset are active at all times.
2	Zero at power-up and only change when drive running	Reset to zero at each power-up. Up and down are only active when the drive is running (i.e. inverter active). Reset is active at all times.
3	Last value at power-up and only change when drive running	Set to value at power-down when drive powered-up. Up and down are only active when the drive is running (i.e. inverter active). Reset is active at all times.

<b>9.22</b>	<b>Motorized pot bipolar select</b>															
<b>Coding</b>	Bit	SP	FI	DE	Txt	VM	DP	ND	RA	NC	NV	PT	US	RW	BU	PS
	1												1	1		
<b>Range</b>	OFF(0) or On(1)															
<b>Default</b>	OFF(0)															
<b>Update rate</b>	21 ms															

When this bit is set to OFF(0) the motorized pot output is limited to positive values only (0 to 100.0%). Setting it to On(1) allows negative outputs also (-100.0% to 100.0%).

<b>9.23</b>	<b>Motorized pot rate</b>															
<b>Coding</b>	Bit	SP	FI	DE	Txt	VM	DP	ND	RA	NC	NV	PT	US	RW	BU	PS
													1	1	1	
<b>Range</b>	0 to 250 s															
<b>Default</b>	20															
<b>Update rate</b>	Background read															

This parameter defines the time taken for the motorized pot function to ramp from 0 to 100.0%. Twice this time will be taken to adjust the output from -100.0% to +100.0%.

<b>9.24</b>	<b>Motorized pot scale factor</b>															
<b>Coding</b>	Bit	SP	FI	DE	Txt	VM	DP	ND	RA	NC	NV	PT	US	RW	BU	PS
							3						1	1	1	
<b>Range</b>	0.000 to 4.000															
<b>Default</b>	1.000															
<b>Update rate</b>	Background															

This parameter can be used to restrict the output of the motorized pot to operate over a reduced range so that it can be used as a trim for example. There is an automatic scaling such that when this parameter is set to 1.000, a 100% level on the motorized pot will cause the programmed destination parameter to be at its maximum value.

<b>9.25</b>	<b>Motorized pot destination</b>															
<b>Coding</b>	Bit	SP	FI	DE	Txt	VM	DP	ND	RA	NC	NV	PT	US	RW	BU	PS
			1				2					1	1	1	1	
<b>Range</b>	Pr 0.00 to Pr 21.51															
<b>Default</b>	Pr 0.00															
<b>Update rate</b>	Read on drive reset															

This needs to be set up with the parameter that the motorized pot is to control. Only parameters which are not protected can be controlled by the motorized pot function, if a non valid parameter is programmed the output is not routed anywhere. If the motorized pot is to control speed then it is suggested that one of the preset speed parameters is entered here.

<b>9.26</b>	<b>Motorized pot up</b>															
<b>9.27</b>	<b>Motorized pot down</b>															
<b>9.28</b>	<b>Motorized pot reset</b>															
<b>Coding</b>	Bit	SP	FI	DE	Txt	VM	DP	ND	RA	NC	NV	PT	US	RW	BU	PS
	1									1				1		
<b>Range</b>	OFF(0) or On(1)															
<b>Default</b>	OFF(0)															
<b>Update rate</b>	21 ms															

These three bits control the motorized pot. The up and down inputs increase and decrease the output at the programmed rate respectively. If both up and down are active together the up function dominates and the output increases. If the reset input is set to On(1), the motorized pot output is reset and held at 0.0%.

Input terminals must be programmed to control these parameters to implement the motorized pot.

<b>9.29</b>	<b>Binary sum one's input</b>															
<b>9.30</b>	<b>Binary sum two's input</b>															
<b>9.31</b>	<b>Binary sum four's input</b>															
<b>Coding</b>	Bit	SP	FI	DE	Txt	VM	DP	ND	RA	NC	NV	PT	US	RW	BU	PS
	1									1				1		
<b>Range</b>	OFF(0) or On(1)															
<b>Default</b>	OFF(0)															
<b>Update rate</b>	21 ms															

<b>9.32</b>	<b>Binary sum output</b>															
<b>Coding</b>	Bit	SP	FI	DE	Txt	VM	DP	ND	RA	NC	NV	PT	US	RW	BU	PS
								1		1		1	1		1	
<b>Range</b>	0 to 255															
<b>Update rate</b>	21 ms															

<b>9.33</b>	<b>Binary sum destination</b>															
<b>Coding</b>	Bit	SP	FI	DE	Txt	VM	DP	ND	RA	NC	NV	PT	US	RW	BU	PS
				1			2					1	1	1	1	
<b>Range</b>	Pr 0.00 to Pr 21.51															
<b>Default</b>	Pr 0.00															
<b>Update rate</b>	Read on drive reset															

Only non-protected parameters can be programmed as a destination.

<b>9.34</b>	<b>Binary sum offset</b>															
<b>Coding</b>	Bit	SP	FI	DE	Txt	VM	DP	ND	RA	NC	NV	PT	US	RW	BU	PS
													1	1	1	
<b>Range</b>	0 to 248															
<b>Default</b>	0															
<b>Update rate</b>	21 ms															

The binary sum output is given by:

$$\text{One's input} + (2 \times \text{two's input}) + (4 \times \text{four's input}) + \text{Offset}$$

The value written to the destination parameter is defined as follows:

If maximum of the destination parameter is  $\leq (7 + \text{offset})$ :

The value in the destination parameter = the binary sum output (Pr 9.32)

If maximum of the destination parameter  $> (7 + \text{offset})$ :

The value in the destination parameter =  
 Destination parameter maximum  $\times$  Binary sum output (Pr 9.32) / (7 + offset)

The table below shows how the binary sum function operates with 0 offset.

Ones input (Pr 9.29)	Twos input (Pr 9.30)	Fours input (Pr 9.31)	Binary sum output (Pr 9.32)	Value in destination parameter	
				Destination parameter with a maximum value of 7 or less, i.e. Pr 6.01 with a range of 0 to 4	Destination parameter with a maximum value of greater than 7, i.e. Pr 5.23 with a range of 0.0 to 25.0
0	0	0	0	0	0.0
1	0	0	1	1	3.6
0	1	0	2	2	7.1
1	1	0	3	3	10.7
0	0	1	4	4	14.3
1	0	1	5	4	17.8
0	1	1	6	4	21.4
1	1	1	7	4	25.0

If the parameter that the binary sum value is routed to has a maximum value of less than 7 then the destination parameter will be limited to the correct value for that parameter independent of the binary sum output.

If the parameter that the binary sum value is routed to has a maximum value greater than 7 then the binary sum output will be scaled evenly across the maximum range of the destination parameter.

The table overleaf shows how the binary sum function operates with an offset value.

Ones input (Pr 9.29)	Twos input (Pr 9.30)	Fours input (Pr 9.31)	Offset (Pr 9.34)	Binary sum output (Pr 9.32)	Value in destination parameter	
					Destination parameter with a maximum value of (7 + offset) or less, i.e. Pr 1.15 with a range of 0 to 8	Destination parameter with a maximum value of greater than 7, i.e. Pr 5.23 with a range of 0.0 to 25.0
0	0	0	3	3	3	7.5
1	0	0		4	4	10.0
0	1	0		5	5	12.5
1	1	0		6	6	15.0
0	0	1		7	7	17.5
1	0	1		8	8	20.0
0	1	1		9	8	22.5
1	1	1		10	8	25.0

## 10.11 Menu 10: Status logic and diagnostic information

Table 10-16 Menu 10 parameters: single line descriptions

Parameter	Range	Default	Setting	Update Rate
10.01	Drive ok	OFF(0) or On(1)		B
10.02	Drive active	OFF(0) or On(1)		B
10.03	Zero speed	OFF(0) or On(1)		B
10.04	Running at or below minimum speed	OFF(0) or On(1)		B
10.05	Below set speed	OFF(0) or On(1)		B
10.06	At speed	OFF(0) or On(1)		B
10.07	Above set speed	OFF(0) or On(1)		B
10.08	Load reached	OFF(0) or On(1)		B
10.09	Drive output is at current limit	OFF(0) or On(1)		B
10.10	Regenerating	OFF(0) or On(1)		B
10.11	Dynamic brake active	OFF(0) or On(1)		B
10.12	Braking resistor alarm	OFF(0) or On(1)		B
10.13	Direction commanded	OFF(0) or On(1)		B
10.14	Direction running	OFF(0) or On(1)		B
10.15	Mains loss detected	OFF(0) or On(1)		B
10.16	Not used			
10.17	Overload alarm	OFF(0) or On(1)		B
10.18	Drive temperature alarm	OFF(0) or On(1)		B
10.19	General drive alarm	OFF(0) or On(1)		B
10.20	Last trip	{55} 0 to 232		On drive trip
10.21	Trip 1	{56} 0 to 232		On drive trip
10.22	Trip 2	{57} 0 to 232		On drive trip
10.23	Trip 3	{58} 0 to 232		On drive trip
10.24	Trip 4	0 to 232		On drive trip
10.25	Trip 5	0 to 232		On drive trip
10.26	Trip 6	0 to 232		On drive trip
10.27	Trip 7	0 to 232		On drive trip
10.28	Trip 8	0 to 232		On drive trip
10.29	Trip 9	0 to 232		On drive trip
10.30	Full power braking time	0.00 to 320.00 s	0.00	B
10.31	Full power braking period	0.0 to 1500.0 s	0.0	B
10.32	External trip	OFF(0) or On(1)	OFF(0)	B
10.33	Drive reset	OFF(0) or On(1)	OFF(0)	21 ms
10.34	No. of auto reset attempts	0 to 5	0	B
10.35	Auto reset delay	0.0 to 25.0 s	1.0	B
10.36	Hold 'drive ok' until last attempt	OFF(0) or On(1)	OFF(0)	B
10.37	Action on trip detection	0 to 3	0	B
10.38	User trip	0 to 255	0	B
10.39	Braking energy overload accumulator	0.0 to 100.0%		B
10.40	Status word	0 to 32767		B



<b>10.01</b>	<b>Drive ok</b>															
<b>Coding</b>	Bit	SP	FI	DE	Txt	VM	DP	ND	RA	NC	NV	PT	US	RW	BU	PS
	1							1		1		1				
<b>Range</b>	OFF(0) or On(1)															
<b>Update rate</b>	Background															

Indicates the drive is not in the trip state. If Pr **10.36** is On(1) and an auto-reset is being used, this bit is not cleared until all auto-resets have been attempted and the next trip occurs.

<b>10.02</b>	<b>Drive active</b>															
<b>Coding</b>	Bit	SP	FI	DE	Txt	VM	DP	ND	RA	NC	NV	PT	US	RW	BU	PS
	1							1		1		1				
<b>Range</b>	OFF(0) or On(1)															
<b>Update rate</b>	Background															

Indicates that the inverter output is active.

<b>10.03</b>	<b>Zero speed</b>															
<b>Coding</b>	Bit	SP	FI	DE	Txt	VM	DP	ND	RA	NC	NV	PT	US	RW	BU	PS
	1							1		1		1				
<b>Range</b>	OFF(0) or On(1)															
<b>Update rate</b>	Background															

This bit is set to On(1) when the absolute value of the ramp output is at or below the threshold programmed into Pr **3.05**.

<b>10.04</b>	<b>Running at or below minimum speed</b>															
<b>Coding</b>	Bit	SP	FI	DE	Txt	VM	DP	ND	RA	NC	NV	PT	US	RW	BU	PS
	1							1		1		1				
<b>Range</b>	OFF(0) or On(1)															
<b>Update rate</b>	Background															

In bipolar mode (Pr **1.10** = On) this parameter is the same as zero speed (Pr **10.03**).

In unipolar mode, this parameter is set if the absolute value of the ramp output is at or below minimum speed + 0.5Hz. Minimum speed is defined by Pr **1.07**.

The parameter is only set if the drive is running.

<b>10.05</b>	<b>Below set speed</b>															
<b>10.06</b>	<b>At speed</b>															
<b>10.07</b>	<b>Above set speed</b>															
<b>Coding</b>	Bit	SP	FI	DE	Txt	VM	DP	ND	RA	NC	NV	PT	US	RW	BU	PS
	1							1		1		1				
<b>Range</b>	OFF(0) or On(1)															
<b>Update rate</b>	Background															

These flags are set by the speed detector in menu 3. These flags are only set if the drive is running.

See Pr **3.06** on page 58.

<b>10.08</b>	<b>Load reached</b>															
<b>Coding</b>	Bit	SP	FI	DE	Txt	VM	DP	ND	RA	NC	NV	PT	US	RW	BU	PS
	1							1		1		1				
<b>Range</b>	OFF(0) or On(1)															
<b>Update rate</b>	Background															

Indicates that the modulus of the active current is greater or equal to the rated active current as defined in menu 4.

<b>10.09</b>	<b>Drive output is at current limit</b>															
<b>Coding</b>	Bit	SP	FI	DE	Txt	VM	DP	ND	RA	NC	NV	PT	US	RW	BU	PS
	1							1		1		1				
<b>Range</b>	OFF(0) or On(1)															
<b>Update rate</b>	Background															

Indicates that the normal current limits are active. The drives display will flash AC.Lt to indicate that normal current limits are active.

<b>10.10</b>	<b>Regenerating</b>															
<b>Coding</b>	Bit	SP	FI	DE	Txt	VM	DP	ND	RA	NC	NV	PT	US	RW	BU	PS
	1							1		1		1				
<b>Range</b>	OFF(0) or On(1)															
<b>Update rate</b>	Background															

Indicates that power is being transferred from the motor to the drive.

<b>10.11</b>	<b>Dynamic brake active</b>															
<b>Coding</b>	Bit	SP	FI	DE	Txt	VM	DP	ND	RA	NC	NV	PT	US	RW	BU	PS
	1							1		1		1				
<b>Range</b>	OFF(0) or On(1)															
<b>Update rate</b>	Background															

Indicates that the braking IGBT is active. If the IGBT becomes active this parameter is held on for at least 0.5s so that it can be seen on the display.

<b>10.12</b>	<b>Braking resistor alarm</b>															
<b>Coding</b>	Bit	SP	FI	DE	Txt	VM	DP	ND	RA	NC	NV	PT	US	RW	BU	PS
	1							1		1		1				
<b>Range</b>	OFF(0) or On(1)															
<b>Update rate</b>	Background															

This parameter is set when the braking IGBT is active and the braking energy overload accumulator is greater than 75% (Pr 10.39). This parameter is held on for at least 0.5s so that it can be seen on the display.

<b>10.13</b>	<b>Direction commanded</b>															
<b>Coding</b>	Bit	SP	FI	DE	Txt	VM	DP	ND	RA	NC	NV	PT	US	RW	BU	PS
	1							1		1		1				
<b>Range</b>	OFF(0) or On(1)															
<b>Update rate</b>	Background															

This parameter is set if the pre-ramp reference (Pr 1.03) is negative (reverse), reset if pre-ramp reference is positive (forward).

<b>10.14</b>	<b>Direction running</b>															
<b>Coding</b>	Bit	SP	FI	DE	Txt	VM	DP	ND	RA	NC	NV	PT	US	RW	BU	PS
	1							1		1		1				
<b>Range</b>	OFF(0) or On(1)															
<b>Update rate</b>	Background															

This parameter is set if the post-ramp reference (Pr 2.01) is negative (reverse), or reset if post-ramp reference is positive (forward).

<b>10.15</b>	<b>Mains loss detected</b>															
<b>Coding</b>	Bit	SP	FI	DE	Txt	VM	DP	ND	RA	NC	NV	PT	US	RW	BU	PS
	1							1		1		1				
<b>Range</b>	OFF(0) or On(1)															
<b>Update rate</b>	Background															

Indicates that the drive has detected mains loss from the level of the DC bus voltage. This parameter can only become active if mains loss ride through or mains loss stop modes are selected (see Pr 6.03 on page 88).

<b>10.16</b>	<b>Unused parameter</b>														
--------------	-------------------------	--	--	--	--	--	--	--	--	--	--	--	--	--	--

<b>10.17</b>	<b>Overload alarm</b>															
<b>Coding</b>	Bit	SP	FI	DE	Txt	VM	DP	ND	RA	NC	NV	PT	US	RW	BU	PS
	1							1		1		1				
<b>Range</b>	OFF(0) or On(1)															
<b>Update rate</b>	Background															

This parameter is set if the drive output current is larger than 105% of motor rated current (Pr 5.07) and the overload accumulator is greater than 75% to warn that if the motor current is not reduced the drive will trip on an lxt overload. (If the rated current [Pr 5.07] is set to a level above the rated drive current [Pr 11.32] the overload alarm is given when the current is higher than 100% of rated current.)

<b>10.18</b>	<b>Drive temperature alarm</b>															
<b>Coding</b>	Bit	SP	FI	DE	Txt	VM	DP	ND	RA	NC	NV	PT	US	RW	BU	PS
	1							1		1		1				
<b>Range</b>	OFF(0) or On(1)															
<b>Update rate</b>	Background															

This flag is set if the IGBT junction temperature calculated from the drive thermal model is above 135°C, or if the heatsink temperature has made the switching frequency decrease.

The following table indicates how the switching frequency is controlled:

Drive condition	Action
Heatsink > 95°C	Trip drive
Heatsink > 92°C	Reduce switching frequency to 3kHz
Heatsink > 88°C	Reduce switching frequency to 6kHz
Heatsink > 85°C	Reduce switching frequency to 12kHz
IGBT temp > 135°C	Reduce switching frequency, if it is minimum trip drive

The switching frequency and drive thermal model are updated once per second. Whenever the drive has reduced the switching frequency this alarm is set, and the display will flash "hot".

<b>10.19</b>	<b>General drive alarm</b>															
<b>Coding</b>	Bit	SP	FI	DE	Txt	VM	DP	ND	RA	NC	NV	PT	US	RW	BU	PS
	1							1		1		1				
<b>Range</b>	OFF(0) or On(1)															
<b>Update rate</b>	Background															

This flag is set if any of the other drive alarms are active, i.e. *Drive temperature alarm*, *Overload alarm* or *Dynamic brake alarm*.

Pr 10.19 = Pr 10.18 or Pr 10.17 or Pr 10.12

<b>10.20</b>	<b>Last trip {55}</b>															
<b>10.21</b>	<b>Trip 1 {56}</b>															
<b>10.22</b>	<b>Trip 2 {57}</b>															
<b>10.23</b>	<b>Trip 3 {58}</b>															
<b>10.24</b>	<b>Trip 4</b>															
<b>10.25</b>	<b>Trip 5</b>															
<b>10.26</b>	<b>Trip 6</b>															
<b>10.27</b>	<b>Trip 7</b>															
<b>10.28</b>	<b>Trip 8</b>															
<b>10.29</b>	<b>Trip 9</b>															
<b>Coding</b>	Bit	SP	FI	DE	Txt	VM	DP	ND	RA	NC	NV	PT	US	RW	BU	PS
					1			1		1		1			1	1
<b>Range</b>	0 to 232															
<b>Update rate</b>	On drive trip															

Contains the last 10 drive trips. Pr 10.20 is the most recent trip and Pr 10.29 the oldest. When a new trip occurs all the parameters move down one, the current trip is put in 10.20 and the oldest trip is lost off the bottom of the log. Possible trips for Commander SK are shown in Table 10-17 on page 132. All trips are stored including HF trips which are numbered from 20 to 30. (HF trips numbered from 1 to 19 are not stored in the trip log.) UU trips are not stored unless the drive is running when the trip occurs. Any trip can be initiated by the actions described or by writing the relevant trip number to Pr 10.38. If any trips shown as user trips are initiated the trip string is "txxx", where xxx is the trip number.

**NOTE**

notr indicates that no trip was detected.

**Table 10-17 Trip indications**

No.	String	Cause of trip
1	UU***	DC bus under voltage - Low AC supply voltage. Low DC Bus voltage when drive supplied by external DC power supply.
2	OU	DC bus over voltage. <b>Drive voltage rating Instantaneous trip</b> 200V 415V 400V 830V Excessive inertia in the machine during deceleration. Deceleration rate is set too fast for inertia of machine.
3	OI.AC**	AC instantaneous over current. Insufficient ramp times. Phase to phase or phase to ground short circuit at the drive output. Autotune required.
4	OI.br**	Braking resistor instantaneous current trip. Excessive current in braking resistor. Braking resistor value too small.
6	Et	External trip (see Pr <b>10.32</b> on page 136)
7	O.SPd	Overspeed. Excessive motor speed (typically caused by the mechanical load driving the motor). The drive produces an overspeed trip if the output frequency (Pr <b>5.01</b> ) exceeds 1.2 x Maximum frequency and regenerating and in current limit.
18	tunE	Auto-tune stopped before completion (see Pr <b>5.12</b> on page 77)
19	It.br	I <sup>2</sup> t on braking resistor (see Pr <b>10.31</b> on page 135)
20	It.AC	I <sup>2</sup> t on drive output current (see Pr <b>4.15</b> on page 68)
21	O.ht1	Drive over-heat (IGBT junctions) based on thermal model (see Pr <b>5.18</b> on page 80)
22	O.ht2	Drive over-heat based on heatsink temperature (see Pr <b>7.04</b> on page 103)
24	th	Motor thermistor trip
26	O.Ld1*	+24V or Digital output overload
27	O.ht3	Drive over-heat based on thermal model (see Pr <b>7.35</b> on page 108) The drive will attempt to stop the motor before tripping. If the motor does not stop in 10 seconds the drive trips immediately. Thermal model looks at DC Bus ripple as well as output current. This is to protect the DC Bus stage from overheating.
28	cL1	Analog input 1 current mode: current loss (see Pr <b>7.06</b> on page 104)
30	SCL	Serial comms timeout with external keypad on drives comms port
31	EEF	Internal drive EEPROM failure. All the parameters are set to default. The trip can only be removed by entering a load default command (see Pr <b>11.43</b> on page 149)
32	PH	High input voltage phase imbalance or input phase loss. Normally a motor load of between 50 and 100% of drive rating is required to trigger the trip. The drive will attempt to stop the motor before tripping. The drive looks at DC Bus ripple.
33	rS	Failure to measure stator resistance during auto-tune or when starting in open-loop voltage modes 0 or 3. This is either because the resistance exceeds the maximum measurable value or no motor connected to drive (see Pr <b>5.12</b> on page 77, Pr <b>5.14</b> and Pr <b>5.17</b> on page 80)
35	CL.bt	Trip initiated from the control word (see Pr <b>6.42</b> on page 99)
40-89	t040 - t089	User trips
90	t090	PLC ladder program attempted divide by zero
91	t091	PLC ladder program attempted access to non-existent parameter
92	t092	PLC ladder program attempted write to a read only parameter
94	t094	PLC ladder program attempted to write a value to a parameter which is out of range
95	t095	PLC ladder program virtual memory stack overflow
96	t096	PLC ladder program invalid operating system call
97	t097	PLC ladder program enabled with no LogicStick inserted or LogicStick removed
98	t098	PLC ladder program invalid instruction
99	t099	PLC ladder program invalid function block argument
100		Drive reset (see Pr <b>10.38</b> on page 137)
102	O.ht4	Power module rectifier over temperature. Check for supply imbalance. Increase acceleration/deceleration rates.
182	C.Err	SmartStick data error: The file access is corrupted. Pr <b>11.42</b> is set to 3 or 4 and a parameter is changed in menu 0 before reset is activated.
183	C.dAt	Data does not exist: An attempt has been made to transfer data from a blank SmartStick or data block that does not exist or verify after write fail.
185	C.Acc	SmartStick read/write fail: The drive cannot communicate with the SmartStick either because it is faulty or is not installed in the drive. Removing a stick during an access will cause this trip.
186	C.rtg	Rating change: The parameters loaded to the drive from a SmartStick are for a drive of a different voltage or current rating. No rating dependent parameters have been transferred.
189	O.cL	Overload on current loop input (analog input 1).
199	dESt	Destination parameter clash

No.	String	Cause of trip
200	SL.HF	Solutions Module hardware fault. This could occur because the module cannot be identified, or the module has not indicated it is running within 5s of drive power-up, or an internal hardware fault has occurred in the module.
201	SL.tO	Solutions Module watchdog timeout. The module has started the watchdog system, but has not subsequently serviced the watchdog within the timeout period.
202	SL.Er	Solutions Module error. The module has detected an error and tripped the drive. The reason for the error is stored in Pr <b>15.50</b>
203	SL.nF	Solutions Module not installed. The Solutions Module is identified by the drive by an option code. The drive stores the codes of the modules installed when the drive parameters are saved. The stored codes are compared with the codes from the Solutions Modules at power-up. If a module is not present, but a code is stored in drive EEPROM to indicate that it should be installed the drive trips. If the module is removed after power-up the drive produces this trip within 4ms.
204	SL.dF	Solutions Module different installed. The Solutions Module is identified by the drive by an option code. The drive stores the codes of the modules installed when the drive parameters are saved. The stored codes are compared with the codes from the Solutions Modules at power-up. If a module is different to the code stored in drive EEPROM the drive trips.
220 to 232	HF20 - HF32	Hardware faults (See table Table 10-19 <i>HF trips</i> )

\*The enable/reset terminal will not reset an O.Ld1 trip. Use the stop/reset key.

\*\*These trips cannot be reset for 10 seconds.

\*\*\*The UV trip is only stored in the drive's trip log if the drive trips on UV while running.

Trips can be grouped into the following categories:

Category	Trips	Comments
Hardware faults	HF01 to HF19	These indicate fatal problems and cannot be reset. The drive is inactive after one of these trips and the display shows HFxx. The serial communications is inactive and the parameters cannot be accessed.
Self resetting trips	UV	Under voltage trip cannot be reset by the user, but is automatically reset by the drive when the supply voltage is within specification (See table Table 10-18 <i>Under voltage trip and restart levels</i> )
Non-resettable trips	HF20 to HF32, SL.HF	Cannot be reset. The serial communications is active and parameters can be accessed.
EEF trip	EEF	Cannot be reset unless a default parameter set has been loaded.
Normal trips	All other trips	Can be reset after 1.0s
Normal trips with extended reset	OI.AC, OI.br	Can be reset after 10.0s
Low priority trips	O.Ld1, cL1, SCL	If Pr <b>10.37</b> is 1 or 3 the drive will stop before tripping.
Phase loss	PH	The drive stops before tripping provided the drive motoring power is suitably reduced after 500ms of detecting phase loss

**Table 10-18 Under voltage trip and restart levels**

Drive voltage rating	UV trip level	UV restart level	Braking level	OV trip
110Vac	175Vdc	215Vdc*	390Vdc	415Vdc
200Vac	175Vdc	215Vdc*	390Vdc	415Vdc
400Vac	330Vdc	425Vdc*	780Vdc	830Vdc
575Vac	435Vdc	590Vdc*	930Vdc	990Vdc
690Vac	435Vdc	590Vdc*	1120Vdc	1190Vdc

\* These are the absolute minimum dc voltages that the drive can be supplied by.

**Table 10-19 HF trips**

HF fault code	Reason for trip
01 to 03	Not used
04	Low DC bus at power up (on SK4, 5 and 6 - failure at power up)
05	No signal from DSP at start up
06	Unexpected interrupt
07	Watchdog failure
08	Interrupt crash (code overrun)
09 to 10	Not used
11	Access to the EEPROM failed
12 to 19	Not used
20	Power stage - code error
21	Power stage - unrecognised frame size
22	OI failure at power up - output short circuit or possible output bridge failure
23	DSP software overrun
24	Not used
25	DSP Communications failure
26	Soft start relay failed to close, or soft start monitor failed, or braking IGBT short circuit at power up
27	Power stage thermistor fault
28	Power circuit thermistor 2 or 3 fault/internal fan fault (size 3 only)
29	Fan failure (current too high)
30	DCCT wire break trip from power module
31	Internal capacitor bank fan failure (size 4 and larger)
32	Power circuit temperature feedback multiplexor failure

The braking IGBT continues to operate even when the drive is not enabled, and is only disabled if one of the following trips occurs or would occur if another trip has not already become active: OI.br or It.br.

It should be noted that although the UU trip operates in a similar way to all other trips, all drive functions can still operate, but the drive cannot be enabled. Parameter values are only loaded from EEPROM if the supply voltage is low enough for the switch mode power supply in the drive to shut down and then it is increased to restart the drive power supplies. The only differences between UU and other trips are as follows:

1. Power down save user parameters are saved when UU trip is activated.
2. The UU trip is self-resetting when the DC bus voltage rises above the drive restart voltage level.
3. When the drive is first powered up a UU trip is initiated if the supply voltage is below the restart voltage level. This does not save power down save parameters. If another trip occurs during power-up it is the active trip in preference to the UU trip. If this trip is cleared and the supply voltage is still below the restart voltage threshold a UU trip is then initiated.

The following alarm warnings and display indications will flash on the right hand display when they become active.

**Table 10-20 Alarm Warnings**

Display	Condition
OVL.d	Ixt overload (see Pr 4.15, Pr 4.16 on page 68, Pr 4.19 on page 70 and Pr 10.17 on page 131)
hot	Heatsink/IGBT temperature too high (see Pr 5.18 on page 80, Pr 5.35 on page 82 and Pr 10.18 on page 131)
br.rS	Ixt overload on braking resistor (see Pr 10.12 on page 130, Pr 10.30 and Pr 10.31)

**Table 10-21 Display indications**

Display	Condition
AC.Lt	Drive is in current limit (see Pr 4.07 on page 65 and Pr 10.09 on page 130)
Lo.AC	Drive is supplied from a low voltage backup supply (Size B and C 400V drives only) (see Pr 6.10 on page 91)
FAIL	An attempt was made to read the stick when the drive was not disabled or tripped, or the stick is read only (see 11.42 on page 148)

<b>10.30</b>	<b>Full power braking time</b>															
<b>Coding</b>	Bit	SP	FI	DE	Txt	VM	DP	ND	RA	NC	NV	PT	US	RW	BU	PS
<b>Range</b>	0.00 to 320.00 s															
<b>Default</b>	0.00															
<b>Update rate</b>	Background															

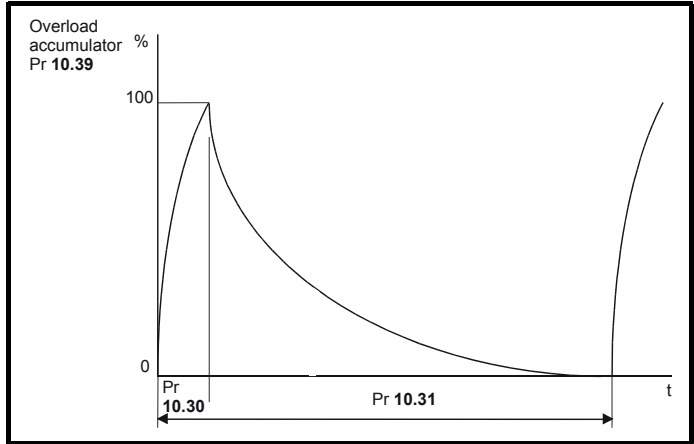
This parameter defines the time period that the braking resistor installed can withstand full braking volts without damage. The setting of this parameter is used in determining the braking overload time.

Drive voltage rating	Full braking volts
110V	390V
200V	390V
400V	780V
575V	930V
690V	1120V

<b>10.31</b>	<b>Full power braking period</b>															
<b>Coding</b>	Bit	SP	FI	DE	Txt	VM	DP	ND	RA	NC	NV	PT	US	RW	BU	PS
<b>Range</b>	0.0 to 1500.0 s															
<b>Default</b>	0.0															
<b>Update rate</b>	Background															

This parameter defines the time period which must elapse between consecutive braking periods of maximum braking power as defined by Pr 10.30. The setting of this parameter is used in determining the thermal time constant of the resistor installed. It is assumed that the temperature will fall by 99% in this time, and so the time constant is Pr 10.30 / 5. If either Pr 10.30 or Pr 10.31 are set to 0 then no braking resistor protection is implemented.

The braking resistor temperature is modelled by the drive as shown below. The temperature rises in proportion to the power flowing into the resistor and falls in proportion to the difference between the resistor temperature and ambient.



Assuming that the full power braking time is much shorter than the full power braking period (which is normally the case) the values for Pr 10.30 and Pr 10.31 can be calculated as follows:

Power flowing into the resistor when the braking IGBT is on,  $P_{on} = \text{Full braking volts}^2 / R$

Where:

Full braking volts is defined in the table (see Pr 10.30) and R is the resistance of the braking resistor.

Full power braking time (Pr 10.30),  $T_{on} = E / P_{on}$

Where:

E is the total energy that can be absorbed by the resistor when its initial temperature is ambient temperature.

Therefore full power braking time (Pr 10.30),  $T_{on} = E \times R / \text{Full braking volts}^2$

If the cycle shown in the diagram previously is repeated, where the resistor is heated to its maximum temperature and then cools to ambient:

The average power in the resistor  $P_{av} = P_{on} \times T_{on} / T_p$

Where:

$T_p$  is the full power braking period

$P_{on} = E / T_{on}$

Therefore  $P_{av} = E / T_p$

Therefore full power braking period (Pr 10.31)  $T_p = E / P_{av}$

The resistance of the braking resistor R, the total energy E and the average power  $P_{av}$  can normally be obtained for the resistor and used to calculate Pr 10.30 and Pr 10.31.

The temperature of the resistor is monitored by the braking energy accumulator (Pr 10.39). When this parameter reaches 100% the drive will trip if Pr 10.37 is 0 or 1, or will disable the braking IGBT until the accumulator falls below 95% if Pr 10.37 is 2 or 3. The second option is intended for applications with parallel connected DC buses where there are several braking resistors, each of which cannot withstand full DC bus voltage continuously. The braking load will probably not be shared equally between the resistors because of voltage measurement tolerances within the individual drives. However, once a resistor reaches its maximum temperature its load will be reduced, and be taken up by another resistor.

10.32	External trip															
Coding	Bit	SP	FI	DE	Txt	VM	DP	ND	RA	NC	NV	PT	US	RW	BU	PS
	1									1				1		
Range	OFF(0) or On(1)															
Default	OFF(0)															
Update rate	Background															

If this flag is set to On(1) then the drive will trip (Et). If an external trip function is required, a digital input should be programmed to control this bit (see section 10.9 Menu 8: Digital inputs and outputs on page 109).

10.33	Drive reset															
Coding	Bit	SP	FI	DE	Txt	VM	DP	ND	RA	NC	NV	PT	US	RW	BU	PS
	1									1				1		
Range	OFF(0) or On(1)															
Default	OFF(0)															
Update rate	21 ms															

An OFF to On change on this parameter will cause a drive reset. If a drive reset terminal is required on the drive the required terminal must be programmed to control this bit.

10.34	No. of auto-reset attempts															
Coding	Bit	SP	FI	DE	Txt	VM	DP	ND	RA	NC	NV	PT	US	RW	BU	PS
													1	1	1	
Range	0 to 5															
Default	0															
Update rate	Background															

10.35	Auto-reset delay															
Coding	Bit	SP	FI	DE	Txt	VM	DP	ND	RA	NC	NV	PT	US	RW	BU	PS
							1						1	1	1	
Range	0.0 to 25.0 s															
Default	1.0															
Update rate	Background															

If Pr 10.34 is set to zero then no auto reset attempts are made. Any other value will cause the drive to automatically reset following a trip for the number of times programmed. Pr 10.35 defines the time between the trip and the auto reset (this time is always at least 10s for OI.AC, OI.br trips, etc.). The reset count is only incremented when the trip is the same as the previous trip, otherwise it is reset to 0. When the reset count reaches the programmed value, any further trip of the same value will not cause an auto-reset. If there has been no trip for 5 minutes then the reset count is cleared. Auto reset will not occur on UU, Et, EEf or HFxx trips. When a manual reset occurs the auto reset counter is reset to zero.

10.36	Hold 'drive ok' until last attempt															
Coding	Bit	SP	FI	DE	Txt	VM	DP	ND	RA	NC	NV	PT	US	RW	BU	PS
	1												1	1		
Range	OFF(0) or On(1)															
Default	OFF(0)															
Update rate	Background															

If this parameter is OFF(0) then Pr 10.01 (Drive ok) is cleared every time the drive trips regardless of any auto-reset that may occur. When this parameter is set, the 'drive ok' indication is not cleared on a trip if an auto-reset is going to occur.

Once all the resets have occurred, the reset counter is reset to 0. To activate again, a manual reset is required.



10.37	Action on trip detection															
<b>Coding</b>	Bit	SP	FI	DE	Txt	VM	DP	ND	RA	NC	NV	PT	US	RW	BU	PS
													1	1	1	
<b>Range</b>	0 to 3															
<b>Default</b>	0															
<b>Update rate</b>	Background															

	Braking IGBT trip mode	Stop on low priority trips
0	Trip	No
1	Trip	Yes
2	Disable	No
3	Disable	Yes

For details of braking IGBT trip mode see Pr **10.31** on page 135.

If stop on low priority trips is selected the drive will stop before tripping. Low priority trips are: th, O.Ld1, cL1, and SCL.

10.38	User trip															
<b>Coding</b>	Bit	SP	FI	DE	Txt	VM	DP	ND	RA	NC	NV	PT	US	RW	BU	PS
													1	1	1	
<b>Range</b>	0 to 255															
<b>Default</b>	0															
<b>Update rate</b>	Background															

This parameter is used to generate user trips over the serial comms. Valid trip codes are numbers which are not values already used by the drive and are not 100 or 255. Writing a trip code that already exists causes that trip to occur. User generated trips will be indicated by txxx in the trip log where xxx is the trip code.

Users wishing to reset the drive over the serial comms can do so by writing a value of 100 to this parameter. Writing a value of 255 to this parameter will cause the trip log to be cleared. When the drive has detected a write to this parameter it immediately writes the value back to zero.

**NOTE**

It is not possible to generate UU, EEF or HF trips using Pr **10.38**.

10.39	Braking energy overload accumulator															
<b>Coding</b>	Bit	SP	FI	DE	Txt	VM	DP	ND	RA	NC	NV	PT	US	RW	BU	PS
							1	1		1		1			1	
<b>Range</b>	0.0 to 100.0%															
<b>Update rate</b>	Background															

This parameter gives an indication of braking resistor temperature based on a simple thermal model, see Pr **10.30** and Pr **10.31** on page 135. Zero indicates the resistor is close to ambient and 100% is the maximum temperature (trip level). A br.rS warning is given if this parameter is above 75% and the braking IGBT is active.

10.40	Status word															
<b>Coding</b>	Bit	SP	FI	DE	Txt	VM	DP	ND	RA	NC	NV	PT	US	RW	BU	PS
								1		1		1			1	
<b>Range</b>	0 to 32767															
<b>Update rate</b>	Background															

The bits in this parameter correspond to the status bits in menu 10 as follows.

15	14	13	12	11	10	9	8
Not used	Pr <b>10.15</b>	Pr <b>10.14</b>	Pr <b>10.13</b>	Pr <b>10.12</b>	Pr <b>10.11</b>	Pr <b>10.10</b>	Pr <b>10.09</b>
7	6	5	4	3	2	1	0
Pr <b>10.08</b>	Pr <b>10.07</b>	Pr <b>10.06</b>	Pr <b>10.05</b>	Pr <b>10.04</b>	Pr <b>10.03</b>	Pr <b>10.02</b>	Pr <b>10.01</b>

## 10.12 Menu 11: General drive set-up

Table 10-22 Menu 11 parameters: single line descriptions

Parameter		Range	Default	Setting	Update Rate
11.01	Pr 61 set-up {71}	Pr 1.00 to Pr 21.51	Pr 0.00		B
11.02	Pr 62 set-up {72}	Pr 1.00 to Pr 21.51	Pr 0.00		B
11.03	Pr 63 set-up {73}	Pr 1.00 to Pr 21.51	Pr 0.00		B
11.04	Pr 64 set-up {74}	Pr 1.00 to Pr 21.51	Pr 0.00		B
11.05	Pr 65 set-up {75}	Pr 1.00 to Pr 21.51	Pr 0.00		B
11.06	Pr 66 set-up {76}	Pr 1.00 to Pr 21.51	Pr 0.00		B
11.07	Pr 67 set-up {77}	Pr 1.00 to Pr 21.51	Pr 0.00		B
11.08	Pr 68 set-up {78}	Pr 1.00 to Pr 21.51	Pr 0.00		B
11.09	Pr 69 set-up {79}	Pr 1.00 to Pr 21.51	Pr 0.00		B
11.10	Pr 70 set-up {80}	Pr 1.00 to Pr 21.51	Pr 0.00		B
11.11	Not used				
11.12	Not used				
11.13	Not used				
11.14	Not used				
11.15	Not used				
11.16	Not used				
11.17	Not used				
11.18	Not used				
11.19	Not used				
11.20	Not used				
11.21	Customer defined scaling {24}	0.000 to 9.999	1.000		B
11.22	Parameter displayed at power up	OFF(0) or On(1)	OFF(0)		N/A
11.23	Serial comms address {44}	0 to 247	1		B
11.24	Modbus RTU / user serial mode	0 to 4	1		B
11.25	Serial comms baud rate {43}	2.4(0), 4.8(1), 9.6(2), 19.2(3), 38.4(4)	19.2(3)		B
11.26	Silent period extension	0 to 250 ms	2		B
11.27	Drive configuration {05}	AI.AV(0), AV.Pr(1), AI.Pr(2), Pr(3), PAd(4), E.Pot(5), tor(6), Pid(7), HVAC(8)	Eur:AI.AV(0) USA: PAd (4)		Edit mode exit
11.28	Not used				
11.29	Software version {45}	0.00 to 99.99			N/A
11.30	User security code {25}	0 to 999	0		B
11.31	Not used				
11.32	Maximum heavy duty drive current rating	0.00 to 290.00 A			N/A
11.33	Drive voltage rating	0 to 3			N/A
11.34	Software sub-version	0 to 99			N/A
11.35	DSP software version	0.0 to 9.9			N/A
11.36	Not used				
11.37	Not used				
11.38	Not used				
11.39	Not used				
11.40	Not used				
11.41	Status mode timeout	0 to 250 s	240		B
11.42	Parameter copying {28}	no(0), rEAd(1), Prog(2), boot(3)	no(0)		Edit mode exit
11.43	Load defaults {29}	no(0), Eur(1), USA(2)	no(0)		Edit mode exit
11.44	Security status {10}	L1(0), L2(1), L3(2), LoC(3)	L1(0)		Edit mode exit
11.45	Select motor 2 parameters	OFF(0) or On(1)	OFF(0)		B
11.46	Defaults previously loaded	0 to 2	0		BW
11.47	PLC ladder program enable {59}	0 to 2	0		BR
11.48	PLC ladder program status {60}	-128 to 127			BW
11.49	Not used				
11.50	PLC ladder program maximum scan time	0 to 65535 ms			User program

<b>11.01</b>	<b>Pr 61 set-up {71}</b>															
<b>11.02</b>	<b>Pr 62 set-up {72}</b>															
<b>11.03</b>	<b>Pr 63 set-up {73}</b>															
<b>11.04</b>	<b>Pr 64 set-up {74}</b>															
<b>11.05</b>	<b>Pr 65 set-up {75}</b>															
<b>11.06</b>	<b>Pr 66 set-up {76}</b>															
<b>11.07</b>	<b>Pr 67 set-up {77}</b>															
<b>11.08</b>	<b>Pr 68 set-up {78}</b>															
<b>11.09</b>	<b>Pr 69 set-up {79}</b>															
<b>11.10</b>	<b>Pr 70 set-up {80}</b>															
<b>Coding</b>	Bit	SP	FI	DE	Txt	VM	DP	ND	RA	NC	NV	PT	US	RW	BU	PS
							2					1	1	1	1	
<b>Range</b>	Pr 1.00 to Pr 21.51															
<b>Default</b>	Pr 0.00															
<b>Update rate</b>	Background															

These parameters define the parameters that reside in the programmable area in level 2 of the basic parameter set.

<b>11.11 to 11.20</b>	<b>Unused parameters</b>
-----------------------	--------------------------

<b>11.21</b>	<b>Customer defined scaling {24}</b>															
<b>Coding</b>	Bit	SP	FI	DE	Txt	VM	DP	ND	RA	NC	NV	PT	US	RW	BU	PS
							3						1	1	1	
<b>Range</b>	0.000 to 9.999															
<b>Default</b>	1.000															
<b>Update rate</b>	Background															

When customer defined units are selected as the display units this parameter is used to scale the RPM (Pr 5.04) to give the displayed units. See Pr 5.34 on page 82.

**NOTE**

When speeds greater than 9999 rpm are to be displayed, set Pr 11.21 to 0.1 or 0.01.

**Example:**

Maximum speed of 30000 rpm. Set Pr 11.21 to 0.1, 30000 rpm = 3000 on display

<b>11.22</b>	<b>Parameter displayed at power-up</b>															
<b>Coding</b>	Bit	SP	FI	DE	Txt	VM	DP	ND	RA	NC	NV	PT	US	RW	BU	PS
	1												1	1		
<b>Range</b>	OFF(0) or On(1)															
<b>Default</b>	OFF(0)															
<b>Update rate</b>	N/A															

0: OFF Frequency (Pr 2.01)

1: On Percentage load (Pr 4.20)

This parameter defines which parameter is displayed at power-up, either the speed or the load. This parameter is written to automatically when the user switches between speed and load indications in parameter status mode by holding the Mode button down for a period of 2 seconds. In this case the parameter is saved automatically by the drive, if the user changes this parameter using serial communication it is not saved automatically.

<b>11.23</b>	<b>Serial comms address {44}</b>															
<b>Coding</b>	Bit	SP	FI	DE	Txt	VM	DP	ND	RA	NC	NV	PT	US	RW	BU	PS
													1	1	1	
<b>Range</b>	0 to 247															
<b>Default</b>	1															
<b>Update rate</b>	Background															

This parameter is used to define the unique address for the drive for the serial interface. The drive is always a slave.

Address 0 is used to globally address all slaves, and so this address should not be set in this parameter.

The communications port on the Commander SK will support Modbus RTU protocol only. Full details of the CT implementation of Modbus RTU are given in "CT MODBUS RTU specification".

The protocol provides the following facilities:

- Drive parameter access with basic Modbus RTU
- Drive parameter database upload via CMP extensions

The following product specific limitations apply:

- Maximum slave response time when accessing the drive is 100ms
- Maximum number of 16 bit registers that can be written to, or read from, the drive itself is limited to 16
- The communications buffer can hold a maximum of 128 bytes

11.24	Modbus RTU / user serial mode															
Coding	Bit	SP	FI	DE	Txt	VM	DP	ND	RA	NC	NV	PT	US	RW	BU	PS
													1	1	1	
Range	0 to 3															
Default	1															
Update rate	Background															

Modes 0, 1 and 4 are for Modbus slave mode. Modes 2 and 3 allow a drive user program to control the comms.

- 0: mode 0 8 data bits and 1 stop bit with no parity (Commander SE backward compatibility)
- 1: mode 1 8 data bits and 2 stop bits with no parity
- 2: mode 2 7 data bits and 1 stop bit with even parity
- 3: mode 3 8 data bits and 2 stop bits with no parity
- 4: mode 4 8 data bits and 1 stop bit with even parity

11.25	Serial comms baud rate {43}															
Coding	Bit	SP	FI	DE	Txt	VM	DP	ND	RA	NC	NV	PT	US	RW	BU	PS
					1								1	1	1	
Range	2.4(0), 4.8(1), 9.6(2), 19.2(3), 38.4(4),															
Default	19.2(3)															
Update rate	Background															

This parameter is used to select the comms port baud rate in kilo baud.

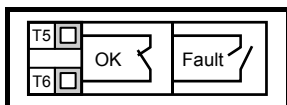
11.26	Silent period extension															
Coding	Bit	SP	FI	DE	Txt	VM	DP	ND	RA	NC	NV	PT	US	RW	BU	PS
													1	1	1	
Range	0 to 250 ms															
Default	2															
Update rate	Background															

Modbus RTU uses a silent period detection system to detect the end of a message. This silent period is normally the length of time for 3.5 characters at the present baud rate, but for systems that cannot turn the communications buffers around fast enough this time can be extended to the time programmed in Pr 11.26.

11.27	Drive configuration {05}															
Coding	Bit	SP	FI	DE	Txt	VM	DP	ND	RA	NC	NV	PT	US	RW	BU	PS
					1							1	1	1	1	
Range	AI.AV(0), AV.Pr(1), AI.Pr(2), Pr(3), PAd(4), E.Pot(5), tor(6), Pid(7), HVAC(8)															
Default	Eur: AI.AV(0), USA: PAd(4)															
Update rate	Actioned on exit of edit mode or drive reset.															

This parameter is used to automatically set up the user programmable area in the level 3 parameter set according to the required drive configuration. Other default parameters may also be changed automatically by the drive configuration. See Table 10-23 for drive configuration parameter changes. A change to Pr 11.27 is set on the exit of parameter edit mode or on a drive reset. The drive must be disabled, stopped or tripped for a change to take place. If Pr 11.27 is changed while the drive is running, the parameter will return to its pre-altered value. Following a drive configuration change, the parameters are automatically stored in EEPROM.

In all of the following settings, the status relay is set up as a drive ok relay.



**Table 10-23 Parameter changes when drive configuration is changed**

Parameter number	Description	Drive Configuration								
		AI.AV	AV.Pr	AI.Pr	Pr	PAd	E.Pot	tor	Pid	HVAC
71	Configurable parameter 1 set-up						Pr 9.23		Pr 14.10	
72	Configurable parameter 2 set-up						Pr 9.22		Pr 14.11	
73	Configurable parameter 3 set-up						Pr 9.21		Pr 14.06	
74	Configurable parameter 4 set-up								Pr 14.13	
75	Configurable parameter 5 set-up								Pr 14.14	
76	Configurable parameter 6 set-up								Pr 14.01	
77	Configurable parameter 7 set-up									
78	Configurable parameter 8 set-up									
79	Configurable parameter 9 set-up									
80	Configurable parameter 10 set-up									
1.14	Reference select	0	1	1	3	4	3	0	2	0
6.04	Start/stop logic	Note 1	Note 1	Note 1	Note 1	Note 1	Note 1	Note 1	Note 1	0
7.06	Analog input 1 mode	4	6	4	6	6	6	4	4	4
7.11	Analog input 2 mode	0	1	1	1	0	1	0	0	0
7.14	Analog input 2 destination	Pr 1.37	Pr 1.46	Pr 1.46	Pr 1.46	Pr 1.37	Pr 9.27	Pr 4.08	0	Pr 1.37
8.15	Terminal B7 digital input invert	1	0	0	0	1	0	0	0	1
8.22	Terminal B4 digital input destination	Note 2	Note 2	Note 2	Note 2	Pr 6.29	Note 2	Note 2	Note 2	Pr 6.29
8.25	Terminal B7 digital input destination	Pr 1.41	Pr 1.45	Pr 1.45	Pr 1.45	Pr 1.41	Pr 9.26	Pr 4.11	Pr 14.08	Pr 1.43
9.25	Motorized pot destination	0	0	0	0	0	Pr 1.21	0	0	0
14.03	PID reference source	0	0	0	0	0	0	0	Pr 7.02	0
14.04	PID feedback source	0	0	0	0	0	0	0	Pr 7.01	0
14.16	PID destination	0	0	0	0	0	0	0	Pr 1.37	0

**NOTE**

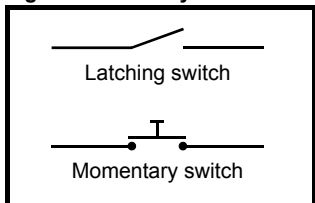
1. If last default setting was Eur, then Pr 6.04 is 0. If last default setting was USA, then Pr 6.04 is 4 except in HVAC mode where Pr 6.04 is 0.

**NOTE**

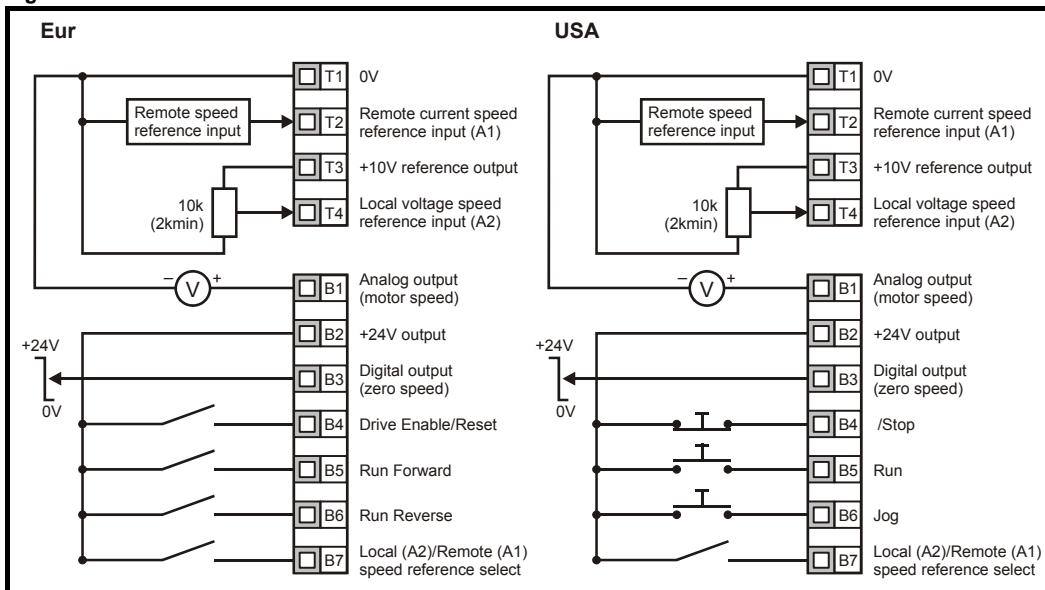
2. If last default setting was Eur, then Pr 8.22 is 6.29. If last default was USA, then Pr 8.22 is 6.39 except in PAd or HVAC mode where Pr 8.22 is 6.29.

Pr 11.27	Configuration	Description
0	AI.AV	Voltage and current input
1	AV.Pr	Voltage input and 3 preset speeds
2	AI.Pr	Current input and 3 preset speeds
3	Pr	4 preset speeds
4	PAd	Keypad control
5	E.Pot	Electronic motorized potentiometer control
6	tor	Torque control operation
7	Pid	PID control
8	HVAC	Fan and pump control

**Figure 10-25 Key to switches**

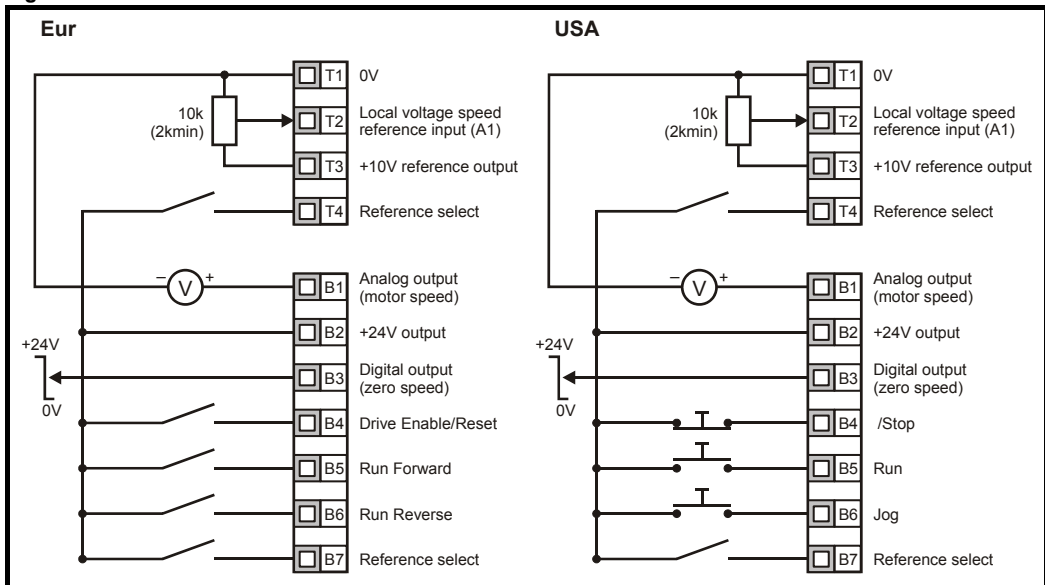


**Figure 10-26 Pr 11.27 = AI.AV**



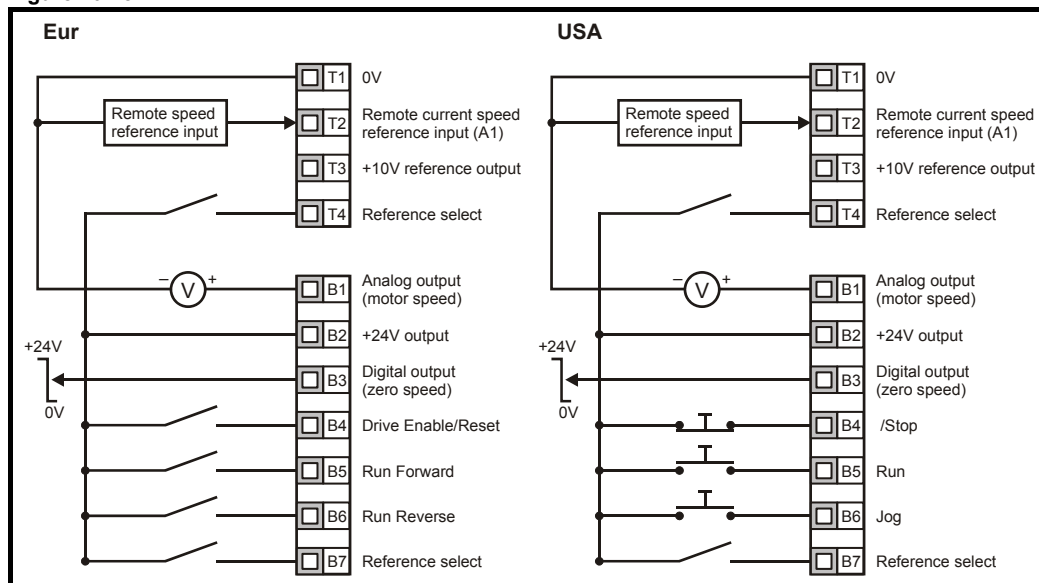
Terminal B7 open: Local voltage speed reference input (A2) selected.  
 Terminal B7 closed: Remote current speed reference input (A1) selected.

**Figure 10-27 Pr 11.27 = AV.Pr**



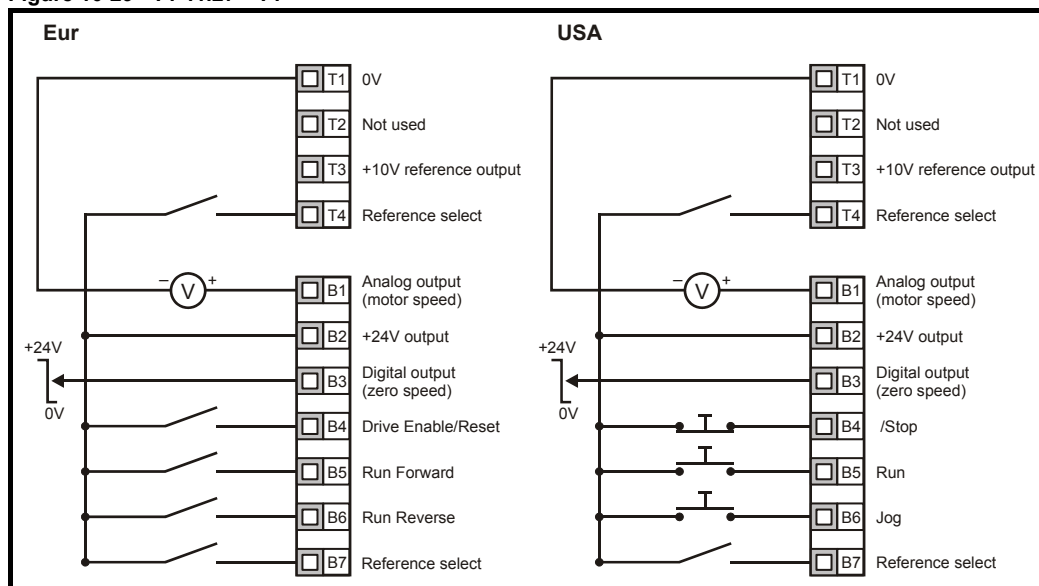
T4	B7	Reference selected
0	0	A1
0	1	Preset 2
1	0	Preset 3
1	1	Preset 4

Figure 10-28 Pr 11.27 = AI.Pr



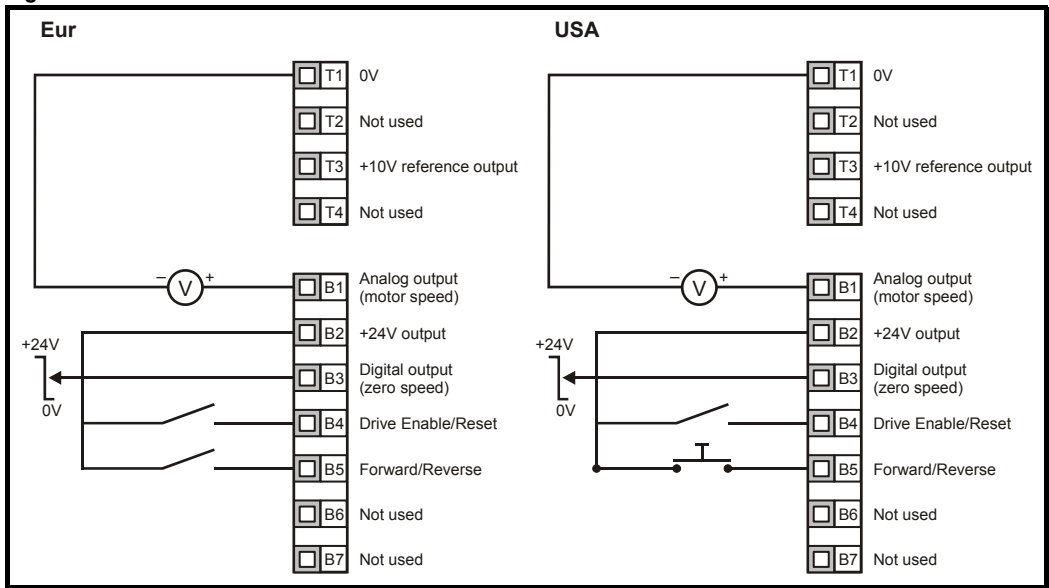
T4	B7	Reference selected
0	0	A1
0	1	Preset 2
1	0	Preset 3
1	1	Preset 4

Figure 10-29 Pr 11.27 = Pr



T4	B7	Reference selected
0	0	Preset 1
0	1	Preset 2
1	0	Preset 3
1	1	Preset 4

Figure 10-30 Pr 11.27 = PAd



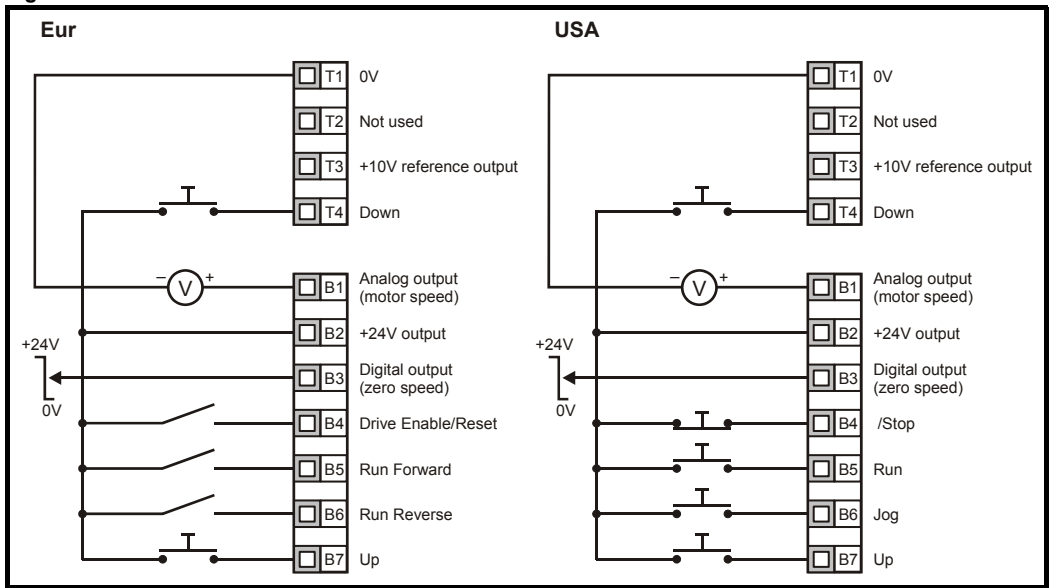
**Setting-up a Forward/Reverse terminal in Keypad mode**

From the drive's display:

- Set Pr 71 to 8.23
- Set Pr 61 to 6.33
- Press the Stop/Reset key

Terminal B5 will now be set-up as a Forward/Reverse terminal

Figure 10-31 Pr 11.27 = E.Pot

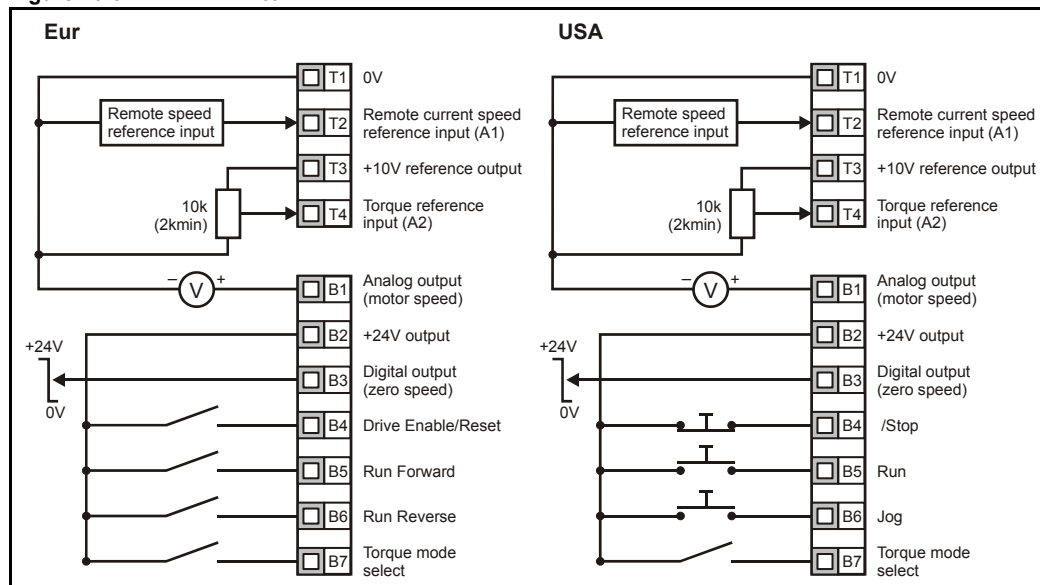


When Pr 11.27 is set to E.Pot, the following parameters are made available for adjustment:

- Pr 9.23: Motorized pot up/down rate (s/100%)
- Pr 9.22: Motorized pot bipolar select (0 = unipolar, 1 = bipolar)
- Pr 9.21: Motorized pot mode:
  - 0 = zero at power-up
  - 1 = last value at power-up
  - 2 = zero at power-up and only change when drive is running
  - 3 = last value at power-up and only change when drive is running



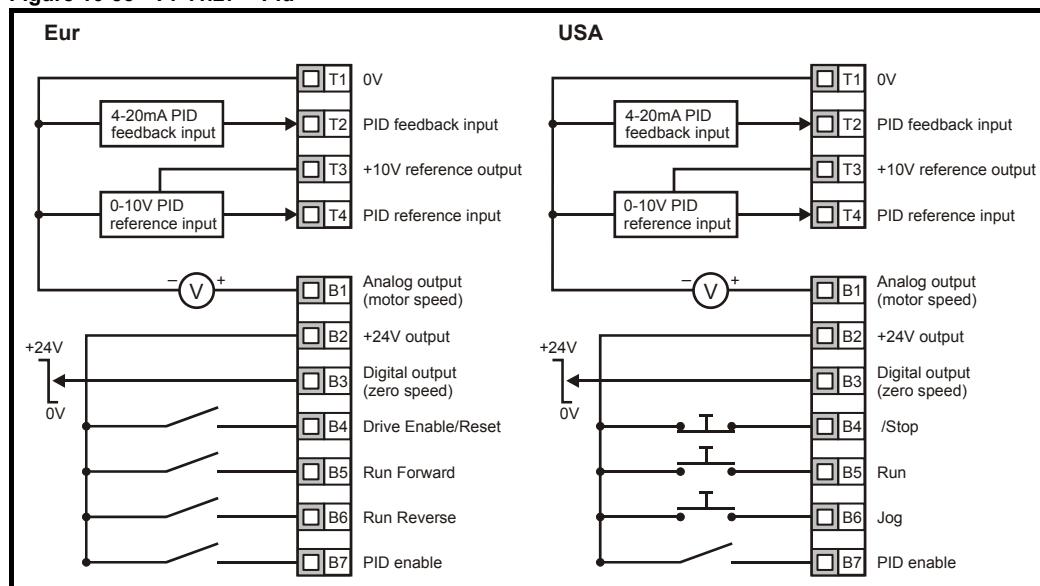
Figure 10-32 Pr 11.27 = tor



When torque mode is selected and the drive is connected to an unloaded motor, the motor speed may increase rapidly to the maximum speed (Pr 02 +20%)

**WARNING**

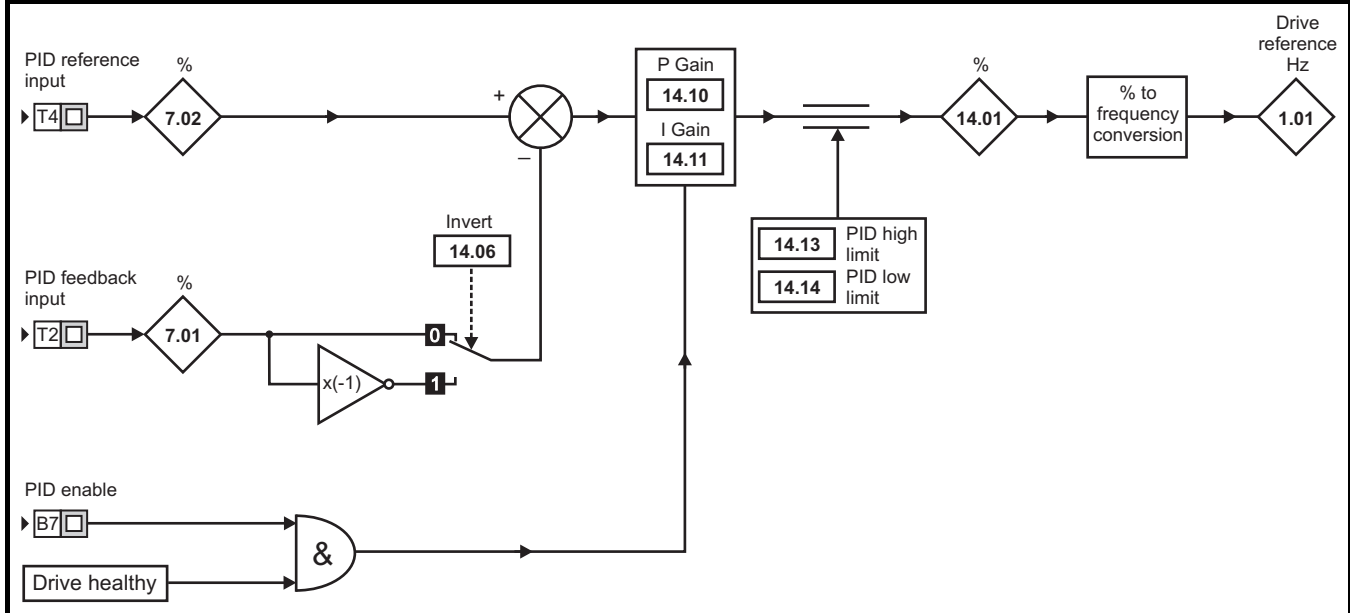
Figure 10-33 Pr 11.27 = Pid



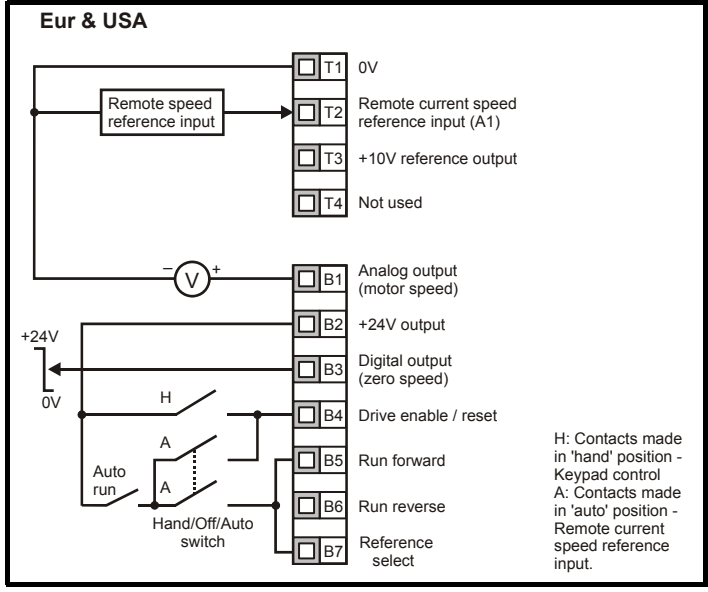
When Pr 11.27 is set to Pid, the following parameters are made available for adjustment:

- Pr 14.10: PID proportional gain
- Pr 14.11: PID integral gain
- Pr 14.06: PID feedback invert
- Pr 14.13: PID high limit (%)
- Pr 14.14: PID low limit (%)
- Pr 14.01: PID output (%)

**Figure 10-34 PID logic diagram**



**Figure 10-35 Pr 11.27 = HVAC**



**NOTE**

Only with V01.04.00 onwards.

**11.28 Unused parameter**

<b>11.29</b>	<b>Software version {45}</b>															
<b>Coding</b>	Bit	SP	FI	DE	Txt	VM	DP	ND	RA	NC	NV	PT	US	RW	BU	PS
							2	1		1		1			1	
<b>Range</b>	0.00 to 99.99															
<b>Update rate</b>	N/A															

The drive software version consists of three numbers xx.yy.zz. xx.yy is displayed in this parameter and zz is displayed in Pr 11.34. Where xx specifies a change that affects hardware compatibility, yy specifies a change that affects product documentation, and zz specifies a change that does not affect the product documentation.

<b>11.30</b>	<b>User security code {25}</b>															
<b>Coding</b>	Bit	SP	FI	DE	Txt	VM	DP	ND	RA	NC	NV	PT	US	RW	BU	PS
								1				1	1	1	1	
<b>Range</b>	0 to 999															
<b>Default</b>	0															
<b>Update rate</b>	Background															

If any number, other than 0 is programmed into this parameter the user security is applied so that no parameters except Pr 11.44 can be adjusted with the LED keypad. When this parameter is read via an LED keypad and security is locked it appears as zero. The security code can be modified via serial comms etc. by setting this parameter to the required value, setting Pr 11.44 to 3 and initiating a reset by setting Pr 10.38 to 100. However security can only be cleared via the LED keypad.

<b>11.31</b>	<b>Unused parameter</b>															
--------------	-------------------------	--	--	--	--	--	--	--	--	--	--	--	--	--	--	--

<b>11.32</b>	<b>Maximum heavy duty drive current rating</b>															
<b>Coding</b>	Bit	SP	FI	DE	Txt	VM	DP	ND	RA	NC	NV	PT	US	RW	BU	PS
							2	1		1		1			1	
<b>Range</b>	0.00 to 290.00 A															
<b>Update rate</b>	N/A															

This parameter indicates the continuous industrial current rating of the drive for heavy-duty operation. If this parameter is programmed into the level two area, the decimal place on the drives four digit display will be adjusted to 1 for drive sizes with current ratings greater than 99.99A.

<b>11.33</b>	<b>Drive voltage rating</b>															
<b>Coding</b>	Bit	SP	FI	DE	Txt	VM	DP	ND	RA	NC	NV	PT	US	RW	BU	PS
					1			1		1		1			1	
<b>Range</b>	200(0), 400(1), 575(2), 690(3)															
<b>Update rate</b>	N/A															

This parameter has four possible values and indicates the output voltage rating of the drive.

- 0: 200 200V product
- 1: 400 400V product
- 2: 575 575V product
- 3: 690 690V product

<b>11.34</b>	<b>Software sub-version</b>															
<b>Coding</b>	Bit	SP	FI	DE	Txt	VM	DP	ND	RA	NC	NV	PT	US	RW	BU	PS
								1		1		1			1	
<b>Range</b>	0 to 99															
<b>Update rate</b>	N/A															

See Pr 11.29 on page 146.

<b>11.35</b>	<b>DSP software version</b>															
<b>Coding</b>	Bit	SP	FI	DE	Txt	VM	DP	ND	RA	NC	NV	PT	US	RW	BU	PS
							1	1		1		1			1	
<b>Range</b>	0.0 to 9.9															
<b>Update rate</b>	N/A															

This parameter indicates the version of DSP software installed.

<b>11.36 to 11.40</b>	<b>Unused parameters</b>															
-----------------------	--------------------------	--	--	--	--	--	--	--	--	--	--	--	--	--	--	--

11.41	Status mode timeout
Coding	Bit SP FI DE Txt VM DP ND RA NC NV PT US RW BU PS
Range	0 to 250 s
Default	240
Update rate	Background

This parameter sets the timeout in seconds for the drive display to revert to status mode from edit mode following no presses of the keypad. Although this parameter can be set to less than 2s, the minimum timeout is 2s.

11.42	Parameter copying {28}
Coding	Bit SP FI DE Txt VM DP ND RA NC NV PT US RW BU PS
Range	no(0), rEAd(1), Prog(2), boot(3)
Default	no(0)
Update rate	Actioned on exit of edit mode or drive reset

#### NOTE

The drive only communicates with the SmartStick when commanded to read or write, meaning the stick may be "hot swapped"  
This parameter selects the mode of operation for the copying module. 4 options are available

Value	Display	Function
0	no	No action
1	rEAd	Read parameters from the SmartStick
2	Prog	Write parameters to the SmartStick
3	boot	Set the SmartStick as master, so it becomes read only.

#### NOTE

Before setting boot mode, the current drive settings must be stored in the SmartStick by using prog mode, otherwise the drive will trip on C.Acc at power up. The stick must be either fitted at power up or a drive reset performed before any copying is initiated.

When data is programmed to the SmartStick it takes the information directly from the drives EEPROM memory thus taking a copy of the stored configuration of the drive rather than the current configuration in drive RAM. The drive takes action on the command when the user exits the parameter edit mode. Also, to be backwards compatible with Commander SE and to allow copying over the serial interface, the drive will action the value programmed on a drive reset.

#### 1 rEAd

Parameters can only be read from the SmartStick when the drive is disabled or tripped. If the drive is not in one of these states when a read is commanded, the display will flash **FAIL** once and then Pr 11.42 will be set back to no. Immediately after a read takes place, Pr 11.42 is set back to no by the drive. Once parameters are read from the SmartStick the drive automatically performs a parameter save to its internal EEPROM.

#### 2 Prog

Parameters can be written to the SmartStick at any time. When a 'Prog' is commanded, the SmartStick is updated with the current parameter set. Pr 11.42 is set back to no prior to the write taking place. If the stick is read only the display will flash **FAIL** once and then Pr 11.42 will be set back to no. A parameter save should be implemented before the stick is programmed (Prog).

#### NOTE

Before the SmartStick /LogicStick is written to using Prog, the SmartStick/LogicStick will need to be inserted into the drive at power up or a reset command performed when the drive has been powered up, otherwise will trip on C.dAt when Prog command executed.

#### 3 boot

Mode 3 is similar to mode 2 except that Pr 11.42 is not reset to 0 before the write takes place. If the 'boot' mode is stored in the copying stick this makes the copying stick the master device. When a drive is powered up it always checks for a SmartStick, if one is installed and it has been programmed in 'boot' mode the parameters are automatically loaded from the copying stick to the drive and furthermore they are saved in the drive. This provides a very fast and efficient way of re-programming a number of drives. Once a stick is set to boot it becomes read only. If the stick is read only the display will flash **FAIL** once and then Pr 11.42 will be set back to no.

#### Different drive ratings

The SmartStick can be used to copy parameters between drives with different ratings but certain rating dependant parameters are not copied to the copied drive, but are still stored within the copying key.

If the data is transferred to a drive of a different voltage or current rating from the source drive all parameters with the RA coding bit set are not modified and a **C.rtg** trip occurs.

When the stick is used to copy parameters between drives with different ratings, bit parameters are **not** copied to the cloned drive.

Parameter number	Function
2.08	Standard ramp voltage
4.07, 21.29	Current limits
5.07, 21.07	Motor rated currents
5.09, 21.09	Motor rated voltages
5.10, 21.10	Motor rated power factor
5.17, 21.12	Stator resistances
5.18	Switching frequency
5.23, 21.13	Voltage offsets
5.24, 21.14	Transient inductances
6.06	DC injection braking current

**NOTE**

If parameter copying is enabled when no SmartStick is installed into the drive, the drive's display will show a **C.Acc** trip.

**NOTE**

The SmartStick should be fully inserted or removed from the drive before a drive reset is performed.

11.43	Load defaults {29}															
Coding	Bit	SP	FI	DE	Txt	VM	DP	ND	RA	NC	NV	PT	US	RW	BU	PS
					1					1				1	1	
Range	no(0), Eur(1), USA(2)															
Default	no(0)															
Update rate	Actioned on exit of edit mode or drive reset															

If this parameter is set to a non-zero value and edit mode is exited or the drive is reset when the drive is inactive, the selected default parameters will automatically be loaded. After the parameters have been set to default values they are automatically saved to the drive's internal EEPROM. If the drive is active the display will flash **FAIL** once and then Pr **11.43** will be set back to no.

Value	Display	Function
0	no	No action
1	Eur	Load European defaults
2	USA	Load USA defaults



**WARNING**

Disconnect the electro-mechanical brake circuit before performing a default.

11.44	Security status {10}															
Coding	Bit	SP	FI	DE	Txt	VM	DP	ND	RA	NC	NV	PT	US	RW	BU	PS
					1			1					1	1	1	
Range	L1(0), L2(1), L3(2), LoC(3)															
Default	L1(0)															
Update rate	Actioned on exit of edit mode															

This read write parameter defines the level of security for menu 0.

Value	Level	Access permitted
0	L1	Only the first ten parameters can be accessed.
1	L2	Parameters up to 60 can be accessed.
2	L3	Parameters up to 95 can be accessed.
3	LoC	Lock security, so that the security code must be entered before a parameter can be edited and set security status to L1.

The LED keypad can adjust this parameter even when user security is set.

11.45	Select motor 2 parameters															
Coding	Bit	SP	FI	DE	Txt	VM	DP	ND	RA	NC	NV	PT	US	RW	BU	PS
	1												1	1		
Range	OFF(0) or On(1)															
Default	OFF(0)															
Update rate	Background															

When this bit is set to On(1) the motor 2 parameters in menu 21 become active instead of the equivalent parameters in other menus. Changes will only be implemented when the drive is inactive. When the motor 2 parameters are active the display will light the 2 small dashes. If motor map 1 is selected after motor map 2 has been active the display will light 1 small dash. If this parameter is On(1) when an auto-tune is carried out (Pr 5.12 = 1 or 2), the results of the auto-tune are written to the equivalent second motor parameters instead of the normal parameters. Each time this parameter is changed the accumulator for motor thermal protection (Pr 4.19) is reset to zero.

#### NOTE

There is a 1 second delay when changing motor maps.

11.46	Defaults previously loaded															
Coding	Bit	SP	FI	DE	Txt	VM	DP	ND	RA	NC	NV	PT	US	RW	BU	PS
								1		1		1	1		1	
Range	0 to 2															
Default	0															
Update rate	Background write															

This parameter displays the number of the last set of defaults loaded e.g. 1 Eur, 2 USA.

### 10.12.1 PLC ladder programming

11.47	PLC ladder program enable {59}															
Coding	Bit	SP	FI	DE	Txt	VM	DP	ND	RA	NC	NV	PT	US	RW	BU	PS
													1	1	1	
Range	0 to 2															
Default	0															
Update rate	Background read															

The PLC ladder program enable parameter is used to start and stop the PLC ladder program.

Value	Description
0	Stop the drive PLC ladder program
1	Run the drive PLC ladder program (trip drive if LogicStick is not installed). Any out-of-range parameter writes attempted will be limited to the maximum / minimum values valid for that parameter before being written.
2	Run the drive PLC ladder program (trip drive if LogicStick is not installed). Any out-of-range parameter writes attempted will cause a drive trip.

11.48	PLC ladder program status {60}															
Coding	Bit	SP	FI	DE	Txt	VM	DP	ND	RA	NC	NV	PT	US	RW	BU	PS
								1		1		1				
Range	-128 to +127															
Update rate	Background write															

The PLC ladder program status parameter indicates to the user the actual state of the PLC ladder program. (not installed / running / stopped / tripped.)

Value	Description
-n	PLC ladder program caused a drive trip due to an error condition while running rung n. Note that the rung number is shown on the display as a negative number.
0	LogicStick is installed with no PLC ladder program
1	LogicStick is installed, PLC ladder program is installed but stopped.
2	LogicStick is installed, PLC ladder program is installed and running.
3	LogicStick is not installed.

<b>11.49</b>	<b>Unused parameter</b>
--------------	-------------------------

<b>11.50</b>	<b>PLC ladder program maximum scan time</b>															
<b>Coding</b>	Bit	SP	FI	DE	Txt	VM	DP	ND	RA	NC	NV	PT	US	RW	BU	PS
								1		1		1			1	
<b>Range</b>	0 to 65535 ms															
<b>Update rate</b>	User program execution period															

The PLC ladder program maximum scan time parameter gives the longest scan time within the last ten scans of the PLC ladder program. If the scan time is greater than the maximum value which may be represented by this parameter the value will be clipped to the maximum value.

**NOTE**

The LogicStick can be used as a SmartStick to store a parameter set at the same time as storing a PLC ladder program.

**NOTE**

The LogicStick should be fully inserted or removed from the drive before a drive reset is performed.

## 10.13 Menu 12: Programmable threshold and variable selector

Table 10-24 Menu 12 parameters: single line descriptions

Parameter	Range	Default	Setting	Update Rate
12.01	Threshold detector 1 output	OFF(0) or On(1)		21 ms
12.02	Threshold detector 2 output	OFF(0) or On(1)		21 ms
12.03	Threshold detector 1 source	Pr 0.00 to Pr 21.51	Pr 0.00	Drive reset
12.04	Threshold detector 1 level	0.0 to 100.0%	0.0	21 ms
12.05	Threshold detector 1 hysteresis	0.0 to 25.0%	0.0	21 ms
12.06	Threshold detector 1 output invert	OFF(0) or On(1)	OFF(0)	21 ms
12.07	Threshold detector 1 destination	Pr 0.00 to Pr 21.51	Pr 0.00	Drive reset
12.08	Variable selector 1 source 1	Pr 0.00 to Pr 21.51	Pr 0.00	Drive reset
12.09	Variable selector 1 source 2	Pr 0.00 to Pr 21.51	Pr 0.00	Drive reset
12.10	Variable selector 1 mode	0 to 9	0	21 ms
12.11	Variable selector 1 destination	Pr 0.00 to Pr 21.51	Pr 0.00	Drive reset
12.12	Variable selector 1 output	±100.0%		21 ms
12.13	Variable selector 1 source 1 scaling	±4.000	1.000	21 ms
12.14	Variable selector 1 source 2 scaling	±4.000	1.000	21 ms
12.15	Variable selector 1 control	0.00 to 99.99	0.00	B
12.16	Not used			
12.17	Not used			
12.18	Not used			
12.19	Not used			
12.20	Not used			
12.21	Not used			
12.22	Not used			
12.23	Threshold detector 2 source	Pr 0.00 to Pr 21.51	Pr 0.00	Drive reset
12.24	Threshold detector 2 level	0.0 to 100.0%	0.0	21 ms
12.25	Threshold detector 2 hysteresis	0.0 to 25.0%	0.0	21 ms
12.26	Threshold detector 2 output invert	OFF(0) or On(1)	OFF(0)	21 ms
12.27	Threshold detector 2 destination	Pr 0.00 to Pr 21.51	Pr 0.00	Drive reset
12.28	Variable selector 2 source 1	Pr 0.00 to Pr 21.51	Pr 0.00	Drive reset
12.29	Variable selector 2 source 2	Pr 0.00 to Pr 21.51	Pr 0.00	Drive reset
12.30	Variable selector 2 mode	0 to 9	0	21 ms
12.31	Variable selector 2 destination	Pr 0.00 to Pr 21.51	Pr 0.00	Drive reset
12.32	Variable selector 2 output	±100.0%		21 ms
12.33	Variable selector 2 source 1 scaling	±4.000	1.000	21 ms
12.34	Variable selector 2 source 2 scaling	±4.000	1.000	21 ms
12.35	Variable selector 2 control	0.00 to 99.99	0.00	B
12.36	Not used			
12.37	Not used			
12.38	Not used			
12.39	Not used			
12.40	Brake release indicator	OFF(0) or On(1)		21 ms
12.41	Brake controller enable	{12} diS(0), rEL(1), d IO(2), USEr(3)	diS(0)	Edit mode exit
12.42	Brake release current threshold	{46} 0 to 200%	50%	21 ms
12.43	Brake apply current threshold	{47} 0 to 200%	10%	21 ms
12.44	Brake release frequency	{48} 0.0 to 20.0 Hz	1.0	21 ms
12.45	Brake apply frequency	{49} 0.0 to 20.0 Hz	2.0	21 ms
12.46	Pre-brake release delay	{50} 0.0 to 25.0 s	1.0	21 ms
12.47	Post-brake release delay	{51} 0.0 to 25.0 s	1.0	21 ms



Figure 10-36 Menu 12A logic diagram

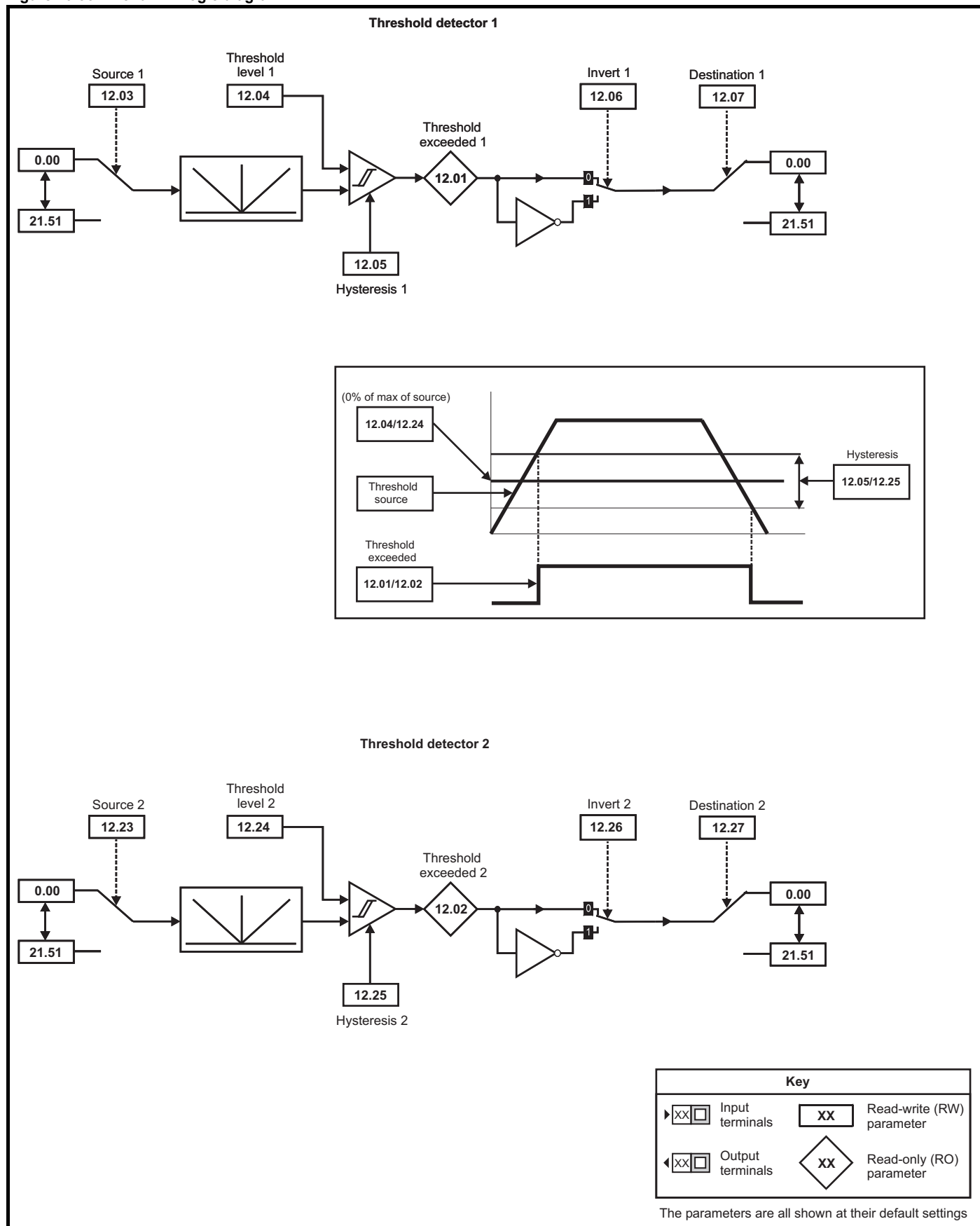


Figure 10-37 Menu 12B logic diagram

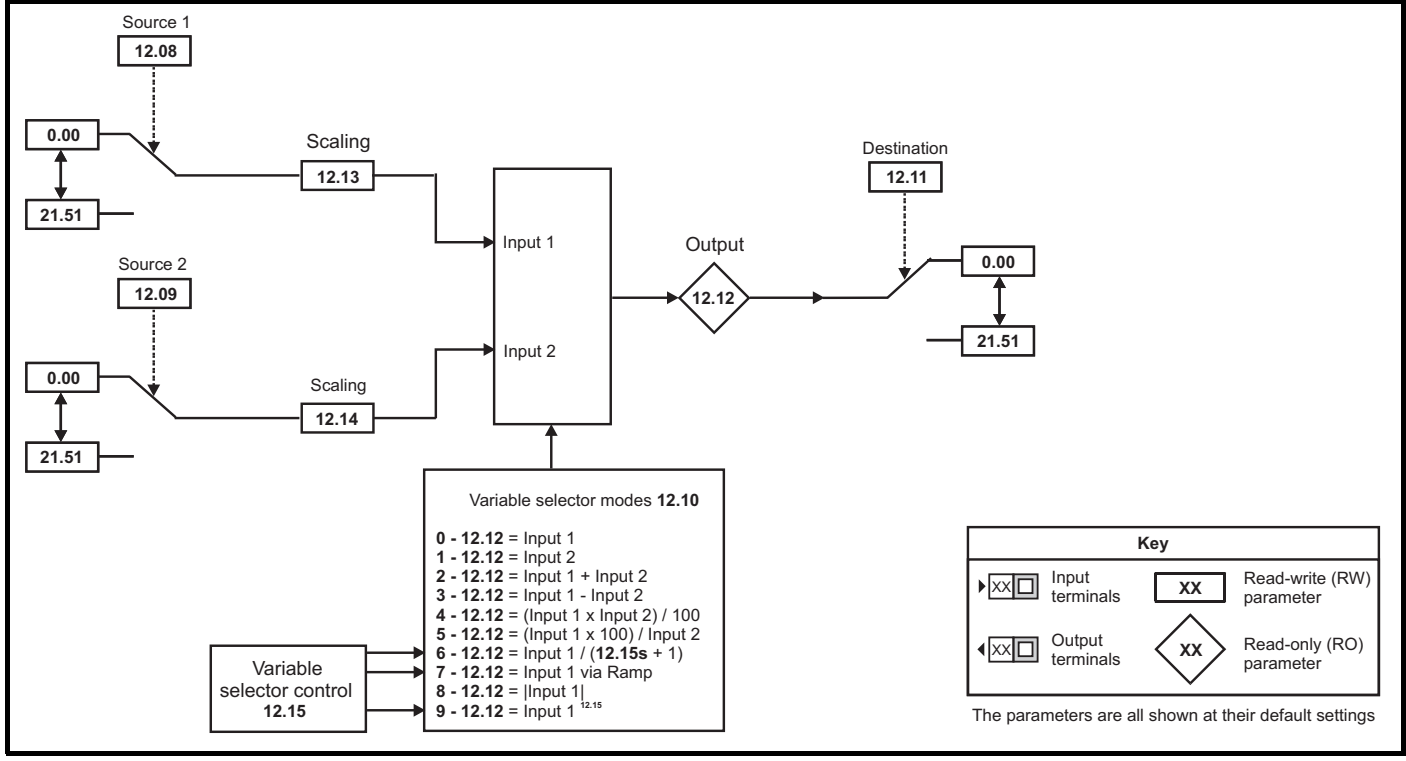


Figure 10-38 Menu 12C logic diagram

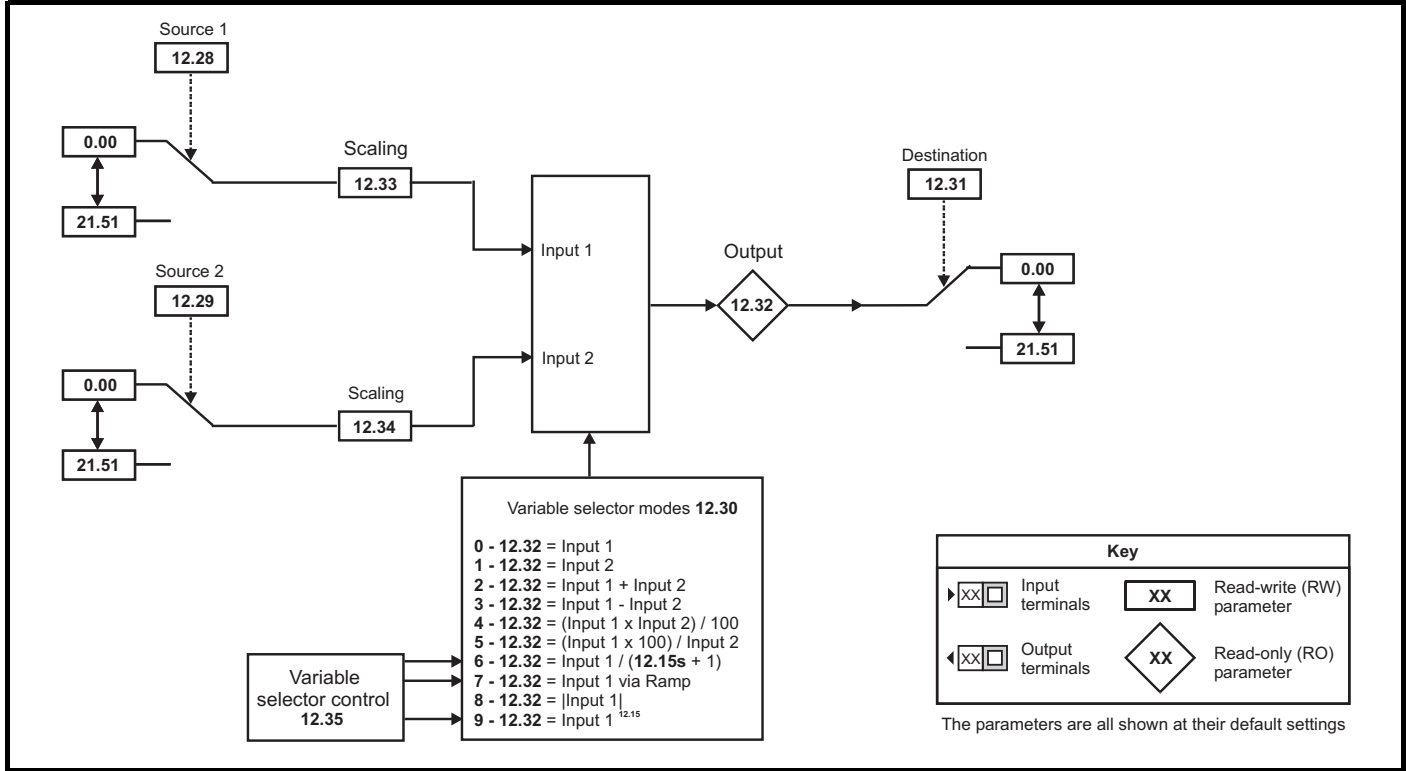
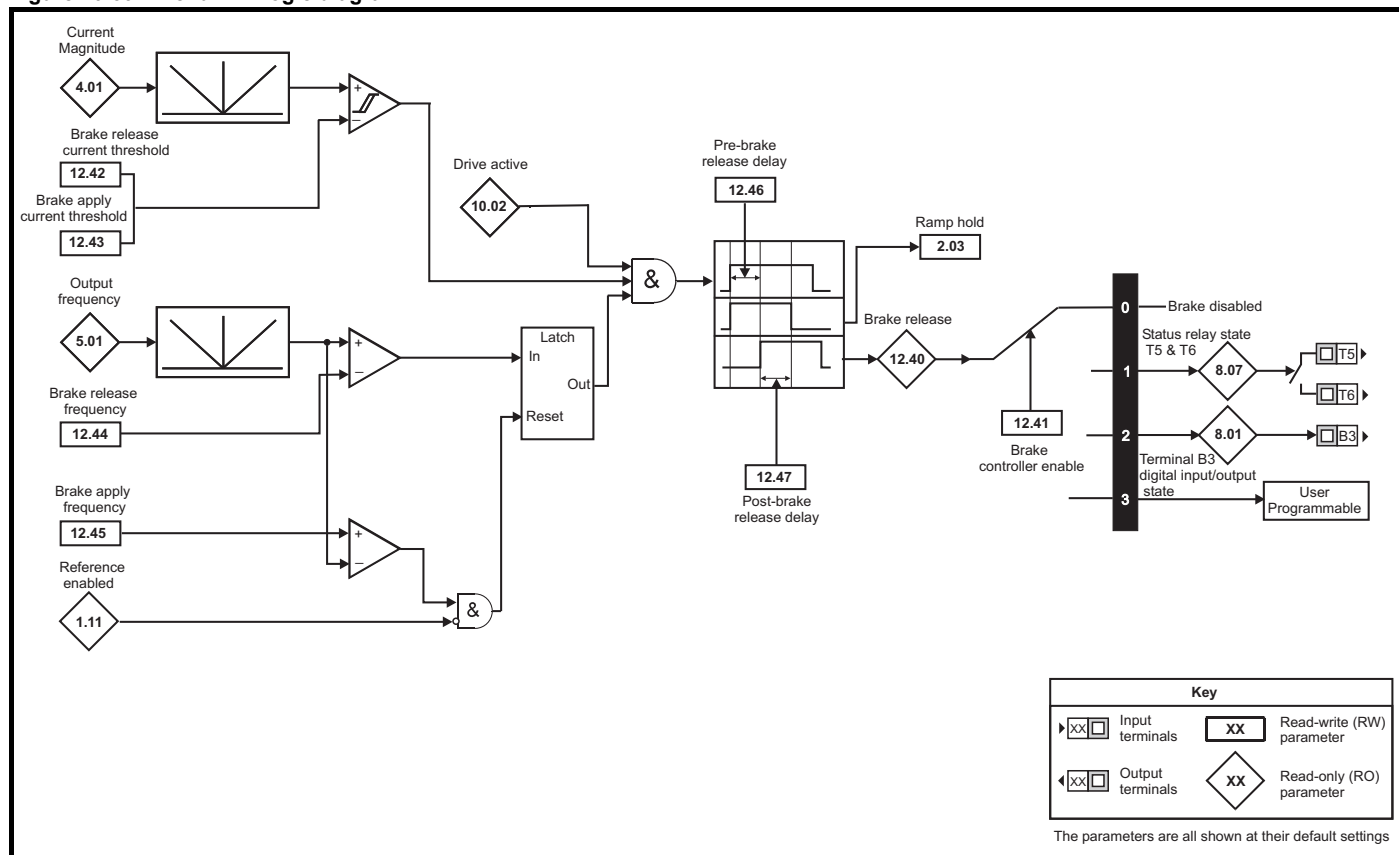


Figure 10-39 Menu 12D logic diagram



Menu 12 includes two threshold detectors which produce logic signals depending on the level of a variable value with respect to a threshold, and two variable selectors which allow two input parameters to be selected or combined to produce a variable output. A function is active if one or more sources are routed to a valid parameter.

<b>12.01</b>	<b>Threshold detector 1 output</b>															
<b>12.02</b>	<b>Threshold detector 2 output</b>															
<b>Coding</b>	Bit	SP	FI	DE	Txt	VM	DP	ND	RA	NC	NV	PT	US	RW	BU	PS
	1							1		1		1				
<b>Range</b>	OFF(0) or On(1)															
<b>Update rate</b>	21 ms															

These parameters indicate whether the threshold input variable is above (On) or below (OFF) the programmed threshold.

<b>12.03</b>	<b>Threshold detector 1 source</b>															
<b>Coding</b>	Bit	SP	FI	DE	Txt	VM	DP	ND	RA	NC	NV	PT	US	RW	BU	PS
	1							1		1		1		1		
<b>Range</b>	Pr 0.00 to Pr 21.51															
<b>Update rate</b>	Read on drive reset															

This parameter and Pr 12.23 define the parameter to be input to the programmable threshold.

The absolute value of the source variable is taken as input to the threshold comparator. Only valid parameters can be programmed as a source. If a non valid parameter is programmed the input value is taken as 0.

<b>12.04</b>	<b>Threshold detector 1 level</b>															
<b>Coding</b>	Bit	SP	FI	DE	Txt	VM	DP	ND	RA	NC	NV	PT	US	RW	BU	PS
							1						1	1	1	
<b>Range</b>	0.0 to 100.0%															
<b>Update rate</b>	21 ms															

This parameter and Pr 12.24 are the user defined threshold levels entered as a percentage of the source maximum.

<b>12.05</b>	<b>Threshold detector 1 hysteresis</b>															
<b>Coding</b>	Bit	SP	FI	DE	Txt	VM	DP	ND	RA	NC	NV	PT	US	RW	BU	PS
							1						1	1	1	
<b>Range</b>	0.0 to 25.0%															
<b>Default</b>	0.0															
<b>Update rate</b>	21 ms															

This parameter and Pr 12.25 define the band within which no change will occur on the output.

The upper limit for switching is: Threshold Level + Hysteresis/2

The lower limit for switching is: Threshold Level - Hysteresis/2

<b>12.06</b>	<b>Threshold detector 1 output invert</b>															
<b>Coding</b>	Bit	SP	FI	DE	Txt	VM	DP	ND	RA	NC	NV	PT	US	RW	BU	PS
	1												1	1		
<b>Range</b>	OFF(0) or On(1)															
<b>Default</b>	OFF(0)															
<b>Update rate</b>	21 ms															

This parameter and Pr 12.26 are used to invert the logic states of the threshold output if required.

<b>12.07</b>	<b>Threshold detector 1 destination</b>															
<b>Coding</b>	Bit	SP	FI	DE	Txt	VM	DP	ND	RA	NC	NV	PT	US	RW	BU	PS
			1				2					1	1	1	1	
<b>Range</b>	Pr 0.00 to Pr 21.51															
<b>Default</b>	Pr 0.00															
<b>Update rate</b>	Read on drive reset															

This parameter and Pr 12.27 define the parameter which is to be controlled by the threshold parameter. Only parameters which are not protected can be set up as a destination. If a non valid parameter is programmed the output is not routed anywhere.

<b>12.08</b>	<b>Variable selector 1 source 1</b>															
<b>12.09</b>	<b>Variable selector 1 source 2</b>															
<b>Coding</b>	Bit	SP	FI	DE	Txt	VM	DP	ND	RA	NC	NV	PT	US	RW	BU	PS
							2					1	1	1	1	
<b>Range</b>	Pr 0.00 to Pr 21.51															
<b>Default</b>	Pr 0.00															
<b>Update rate</b>	Read on drive reset															

These parameters and Pr 12.28 and Pr 12.29 define the parameters which are to be switched by the variable selector block. These can be bit variables or non bit variables. If programming a reference to a variable source select, if the reference is a whole number, then the variable source treats the whole number as a percentage, e.g. 5.0Hz = 10% of reference.

<b>12.10</b>	<b>Variable selector 1 mode</b>															
<b>Coding</b>	Bit	SP	FI	DE	Txt	VM	DP	ND	RA	NC	NV	PT	US	RW	BU	PS
													1	1	1	
<b>Range</b>	0 to 9															
<b>Default</b>	0															
<b>Update rate</b>	21 ms															

The output of the variable select can be changed by the mode as in the following table:

Mode value (Pr 12.10)	Action	Result
0	Select input 1	output = input1
1	Select input 2	output = input2
2	Add	output = input1 + input2
3	Subtract	output = input1 - input 2
4	Multiply	output = (input1 x input2) / 100.0
5	Divide	output = (input1 x 100.0) / input2
6	Time constant	output = input1 / ((control param)s + 1)
7	Linear ramp	output = input1 via a ramp with a ramp time of (control param) seconds from 0 to 100%
8	Modulus	output =   input1
9	Raise to power	output = input1 <sup>control param</sup> (0.01 - 0.03) control = 0.02: output = input1 <sup>2</sup> / 100 control = 0.03: output = input1 <sup>3</sup> / 100 <sup>2</sup> control has any other value: output = input 1

<b>12.11</b>	<b>Variable selector 1 destination</b>															
<b>Coding</b>	Bit	SP	FI	DE	Txt	VM	DP	ND	RA	NC	NV	PT	US	RW	BU	PS
			1				2					1	1	1	1	
<b>Range</b>	Pr 0.00 to Pr 21.51															
<b>Default</b>	Pr 0.00															
<b>Update rate</b>	Read on drive reset															

Defines the destination parameter for the variable selector 1 output. Only non-protected parameters can be programmed as a destination. If a non-valid parameter is programmed, the output is not routed anywhere.

<b>12.12</b>	<b>Variable selector 1 output</b>															
<b>Coding</b>	Bit	SP	FI	DE	Txt	VM	DP	ND	RA	NC	NV	PT	US	RW	BU	PS
							1	1		1		1				
<b>Range</b>	±100.0%															
<b>Update rate</b>	21 ms															

Indicates the level of output signal from the variable selector.

12.13	Variable selector 1 source 1 scaling															
Coding	Bit	SP	FI	DE	Txt	VM	DP	ND	RA	NC	NV	PT	US	RW	BU	PS
							3						1	1		
Range	±4.000															
Default	1.000															
Update rate	21 ms															

Can be used to scale the source 1 input of the variable selector.

12.14	Variable selector 1 source 2 scaling															
Coding	Bit	SP	FI	DE	Txt	VM	DP	ND	RA	NC	NV	PT	US	RW	BU	PS
							3						1	1		
Range	±4.000															
Default	1.000															
Update rate	21 ms															

Can be used to scale the source 2 input of the variable selector.

12.15	Variable selector 1 control															
Coding	Bit	SP	FI	DE	Txt	VM	DP	ND	RA	NC	NV	PT	US	RW	BU	PS
							2						1	1	1	
Range	0.00 to 99.99															
Default	0.00															
Update rate	Background															

The control parameter can be used to input a value when modes 6, 7 and 9 of the variable selector are implemented. See Pr 12.10 on page 157 and Pr 12.30 on page 159 for variable selector modes.

<b>12.16 to 12.22</b>	<b>Unused parameters</b>
-----------------------	--------------------------

12.23	Threshold detector 2 source															
Coding	Bit	SP	FI	DE	Txt	VM	DP	ND	RA	NC	NV	PT	US	RW	BU	PS
	1							1		1		1		1		
Range	Pr 0.00 to Pr 21.51															
Update rate	Read on drive reset															

This parameter and Pr 12.03 define the parameter to be input to the programmable threshold.

The absolute value of the source variable is taken as input to the threshold comparator. Only valid parameters can be programmed as a source. If a non valid parameter is programmed the input value is taken as 0.

12.24	Threshold detector 2 level															
Coding	Bit	SP	FI	DE	Txt	VM	DP	ND	RA	NC	NV	PT	US	RW	BU	PS
							1						1	1	1	
Range	0.0 to 100.0%															
Update rate	21 ms															

This parameter and Pr 12.04 are the user defined threshold levels entered as a percentage of the source maximum.

12.25	Threshold detector 2 hysteresis															
Coding	Bit	SP	FI	DE	Txt	VM	DP	ND	RA	NC	NV	PT	US	RW	BU	PS
							1						1	1	1	
Range	0.0 to 25.0%															
Default	0.0															
Update rate	21 ms															

This parameter and Pr 12.05 define the band within which no change will occur on the output.

The upper limit for switching is: Threshold Level + Hysteresis/2

The lower limit for switching is: Threshold Level - Hysteresis/2

<b>12.26</b>	<b>Threshold detector 2 output invert</b>															
<b>Coding</b>	Bit	SP	FI	DE	Txt	VM	DP	ND	RA	NC	NV	PT	US	RW	BU	PS
	1												1	1		
<b>Range</b>	OFF(0) or On(1)															
<b>Default</b>	OFF(0)															
<b>Update rate</b>	21 ms															

This parameter and Pr 12.06 are used to invert the logic states of the threshold output if required.

<b>12.27</b>	<b>Threshold detector 2 destination</b>															
<b>Coding</b>	Bit	SP	FI	DE	Txt	VM	DP	ND	RA	NC	NV	PT	US	RW	BU	PS
				1			2					1	1	1	1	
<b>Range</b>	Pr 0.00 to Pr 21.51															
<b>Default</b>	Pr 0.00															
<b>Update rate</b>	Read on drive reset															

This parameter and Pr 12.07 define the parameter which is to be controlled by the threshold parameter. Only parameters which are not protected can be set up as a destination. If a non valid parameter is programmed the output is not routed anywhere.

<b>12.28</b>	<b>Variable selector 2 source 1</b>															
<b>12.29</b>	<b>Variable selector 2 source 2</b>															
<b>Coding</b>	Bit	SP	FI	DE	Txt	VM	DP	ND	RA	NC	NV	PT	US	RW	BU	PS
							2					1	1	1	1	
<b>Range</b>	Pr 0.00 to Pr 21.51															
<b>Default</b>	Pr 0.00															
<b>Update rate</b>	Read on drive reset															

These parameters and Pr 12.08 and Pr 12.09 define the parameters which are to be switched by the variable selector block. These can be bit variables or non bit variables. If programming a reference to a variable source select, if the reference is a whole number, then the variable source treats the whole number as a percentage, e.g. 5.0Hz = 10% of reference.

<b>12.30</b>	<b>Variable selector 2 mode</b>															
<b>Coding</b>	Bit	SP	FI	DE	Txt	VM	DP	ND	RA	NC	NV	PT	US	RW	BU	PS
													1	1	1	
<b>Range</b>	0 to 9															
<b>Default</b>	0															
<b>Update rate</b>	21 ms															

The output of the variable select can be changed by the mode as in the following table:

Mode value (Pr 12.30)	Action	Result
0	Select input 1	output = input1
1	Select input 2	output = input2
2	Add	output = input1 + input2
3	Subtract	output = input1 - input2
4	Multiply	output = (input1 x input2) / 100.0
5	Divide	output = (input1 x 100.0) / input2
6	Time constant	output = input1 / ((control param)s + 1)
7	Linear ramp	output = input1 via a ramp with a ramp time of (control param) seconds from 0 to 100%
8	Modulus	output =   input1
9	Raise to power	output = input1 control param (0.01 - 0.03) control = 0.02: output = input1 <sup>2</sup> / 100 control = 0.03: output = input1 <sup>3</sup> / 100 <sup>2</sup> control has any other value: output = input 1

12.31	Variable selector 2 destination															
Coding	Bit	SP	FI	DE	Txt	VM	DP	ND	RA	NC	NV	PT	US	RW	BU	PS
				1			2					1	1	1	1	
Range	Pr 0.00 to Pr 21.51															
Default	Pr 0.00															
Update rate	Read on drive reset															

Defines the destination parameter for the variable selector 2 output.

12.32	Variable selector 2 output															
Coding	Bit	SP	FI	DE	Txt	VM	DP	ND	RA	NC	NV	PT	US	RW	BU	PS
							1	1		1		1				
Range	±100.0%															
Update rate	21 ms															

Indicates the level of output signal from the variable selector.

12.33	Variable selector 2 source 1 scaling															
Coding	Bit	SP	FI	DE	Txt	VM	DP	ND	RA	NC	NV	PT	US	RW	BU	PS
							3						1	1		
Range	±4.000															
Default	1.000															
Update rate	21 ms															

Can be used to scale the source 1 input of the variable selector.

12.34	Variable selector 2 source 2 scaling															
Coding	Bit	SP	FI	DE	Txt	VM	DP	ND	RA	NC	NV	PT	US	RW	BU	PS
							3						1	1		
Range	±4.000															
Default	1.000															
Update rate	21 ms															

Can be used to scale the source 2 input of the variable selector.

12.35	Variable selector 2 control															
Coding	Bit	SP	FI	DE	Txt	VM	DP	ND	RA	NC	NV	PT	US	RW	BU	PS
							2						1	1	1	
Range	0.00 to 99.99															
Default	0.00															
Update rate	Background															

The control parameter can be used to input a value when modes 6, 7 and 9 of the variable selector are implemented. See Pr 12.10 on page 157 and Pr 12.30 on page 159 for variable selector modes.

12.36 to 12.39	Unused parameters
----------------	-------------------



### 10.13.1 Brake control function

The brake control function can be used to control an electro-mechanical brake via the drive digital I/O.

12.40	Brake release indicator															
Coding	Bit	SP	FI	DE	Txt	VM	DP	ND	RA	NC	NV	PT	US	RW	BU	PS
	1							1		1		1				
Range	OFF(0) or On(1)															
Update rate	21 ms															

This parameter should be used as a source for a digital output to control an electro-mechanical brake. This parameter is one to release the brake and zero to apply the brake. Digital I/O can be automatically configured to use this parameter as a source (see Pr 12.41).

12.41	Brake controller enable {12}															
Coding	Bit	SP	FI	DE	Txt	VM	DP	ND	RA	NC	NV	PT	US	RW	BU	PS
					1								1	1	1	
Range	diS(0), rEL(1), d IO(2), USEr(3)															
Default	diS(0)															
Update rate	Actioned on exit of edit mode or drive reset															

Action will only occur if the drive is inactive. If the drive is active the parameter will return to its pre altered value on exit from edit mode or drive reset.

#### 0 diS

The brake controller is disabled and no other drive parameters are affected by the brake controller. When this parameter is changed from a non-zero value to zero Pr 2.03 is set to zero.

#### 1 rEL

The brake controller is enabled with I/O set up to control the brake via the relay output. Drive ok is re-routed to digital I/O.

#### 2 d IO

The brake controller is enabled with I/O set up to control the brake via digital I/O.

#### 3 USEr

The brake controller is enabled, but no parameters are set to select the brake output.

The following table shows the automatic parameter changes that occur to set up digital I/O and the relay output after exit from edit mode or drive reset when Pr 12.41 has been changed.

Old value of Pr 12.41	New value of Pr 12.41	Pr 8.11	Pr 8.21	Pr 8.31	Pr 8.17	Pr 8.27	Pr 8.41
Any	1	Drive ok output			Brake release output		3
		OFF	Pr 10.01	1	OFF	Pr 12.40	
Not 1	2	Brake release output					8
		OFF	Pr 12.40	1	No change	No change	
1	2	Brake release output			Drive ok output		8
		OFF	Pr 12.40	1	OFF	Pr 10.01	
1	0 or 3	Zero speed output			Drive ok output		0
		OFF	Pr 10.03	1	OFF	Pr 10.01	
2	0 or 3	Zero speed output					0
		OFF	Pr 10.03	1	No change	No change	



**WARNING**

Ensure that the brake controller is setup correctly before the electro-mechanical brake circuit is connected to the drive. Disconnect the electro-mechanical brake circuit before a default is performed.

Figure 10-40 Brake function diagram

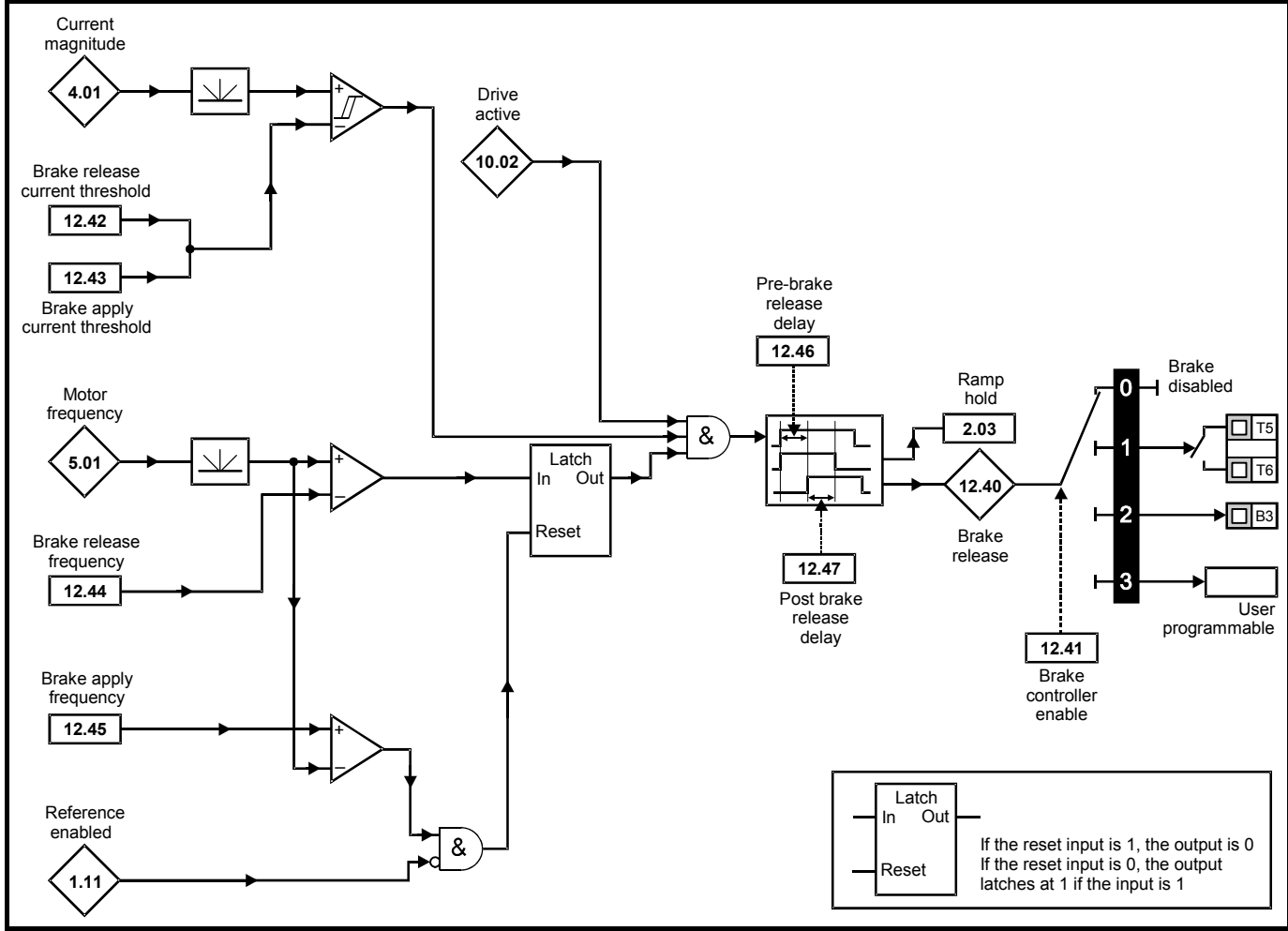
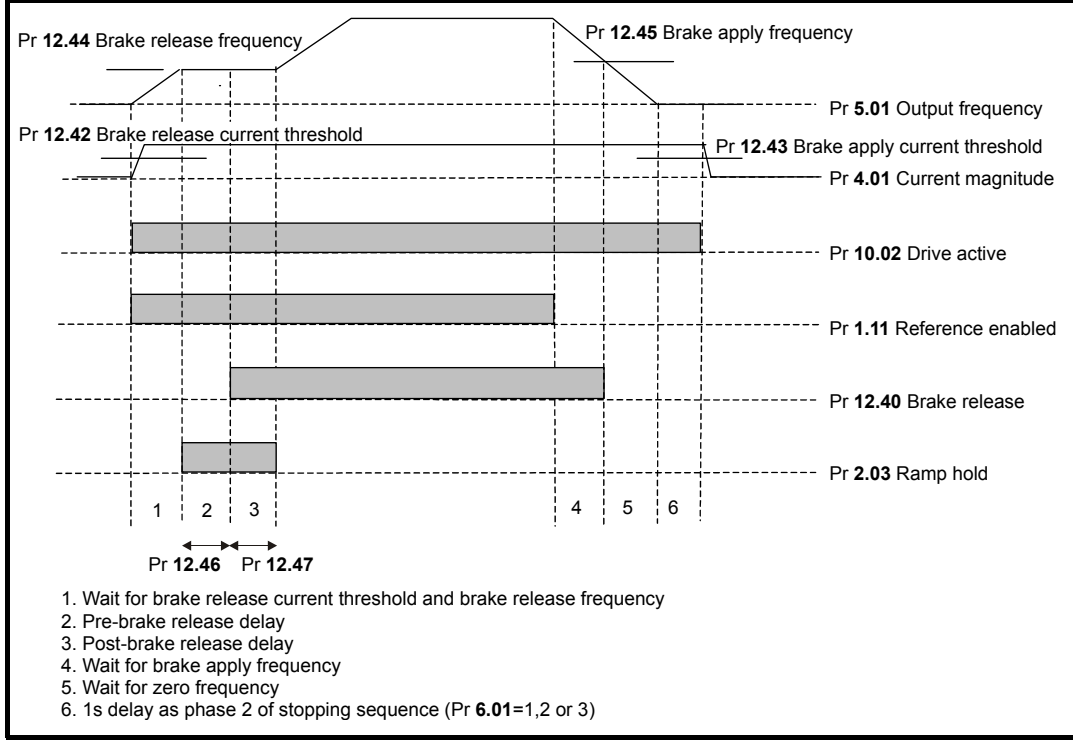


Figure 10-41 Brake sequence



<b>12.42</b>	<b>Brake release current threshold {46}</b>															
<b>Coding</b>	Bit	SP	FI	DE	Txt	VM	DP	ND	RA	NC	NV	PT	US	RW	BU	PS
													1	1	1	
<b>Range</b>	0 to 200%															
<b>Default</b>	50															
<b>Update rate</b>	21 ms															

<b>12.43</b>	<b>Brake apply current threshold {47}</b>															
<b>Coding</b>	Bit	SP	FI	DE	Txt	VM	DP	ND	RA	NC	NV	PT	US	RW	BU	PS
													1	1	1	
<b>Range</b>	0 to 200%															
<b>Default</b>	10															
<b>Update rate</b>	21 ms															

The current magnitude (Pr 4.01) is compared to an upper and lower threshold by a comparator with hysteresis to give torque present and drive output open detection functions respectively. The upper and lower threshold currents are given as a percentage of motor current defined by Pr 5.07 (or Pr 21.07 if motor map 2 is selected). The upper threshold (Pr 12.42) should be set to the current level that indicates that there is magnetising current and sufficient torque producing current in the motor to deliver the required amount of torque when the brake is released. The output of the comparator remains active after this level has been reached unless the current subsequently falls below the lower threshold (Pr 12.43) which should be set to the required level to detect the condition where the motor has been disconnected from the drive. If the lower threshold is set greater or equal to the upper threshold, the upper threshold applies with a hysteresis band of zero. If Pr 12.42 and Pr 12.43 are both set to zero then the output of the comparator is always one.

<b>12.44</b>	<b>Brake release frequency {48}</b>															
<b>Coding</b>	Bit	SP	FI	DE	Txt	VM	DP	ND	RA	NC	NV	PT	US	RW	BU	PS
							1						1	1	1	
<b>Range</b>	0 to 20.0 Hz															
<b>Default</b>	1.0															
<b>Update rate</b>	21 ms															

The frequency comparator can be used to detect when the motor frequency has reached a level where the motor can produce the required amount of torque to ensure that the motor rotates in the demanded direction when the brake is released. This parameter should be set to a level slightly above the motor slip frequency that is likely to occur under the highest expected load that is applied to the motor when the brake is released.

<b>12.45</b>	<b>Brake apply frequency {49}</b>															
<b>Coding</b>	Bit	SP	FI	DE	Txt	VM	DP	ND	RA	NC	NV	PT	US	RW	BU	PS
							1						1	1	1	
<b>Range</b>	0 to 20.0 Hz															
<b>Default</b>	2.0															
<b>Update rate</b>	21 ms															

The brake apply frequency threshold is used to ensure that the brake is applied before the motor frequency reaches zero and to prevent the motor rotating (in the reverse direction due to an overhauling load for example) during the brake apply time. If the frequency falls below this threshold, but the motor is not required to stop (i.e. reversing direction without stopping), provided the reference on Pr 1.11 remains at one, the brake is not applied. This prevents the brake from activating and de-activating as the motor passes through zero speed.

<b>12.46</b>	<b>Pre-brake release delay {50}</b>															
<b>Coding</b>	Bit	SP	FI	DE	Txt	VM	DP	ND	RA	NC	NV	PT	US	RW	BU	PS
							1						1	1	1	
<b>Range</b>	0.0 to 25.0 s															
<b>Default</b>	1.0															
<b>Update rate</b>	21 ms															

The pre-brake release delay is used to allow time for the motor torque to reach the required level before the brake is released. This time should allow for the motor flux to reach a significant proportion of the rated level (2 or 3 times the rotor time constant of the motor), and the time for slip compensation to become fully active (at least 0.5s). During the Pre-brake delay period the frequency reference is held constant (Pr 2.03 = On).

12.47	Post-brake release delay {51}															
Coding	Bit	SP	FI	DE	Txt	VM	DP	ND	RA	NC	NV	PT	US	RW	BU	PS
							1						1	1	1	
Range	0.0 to 25.0 s															
Default	1.0															
Update rate	21 ms															

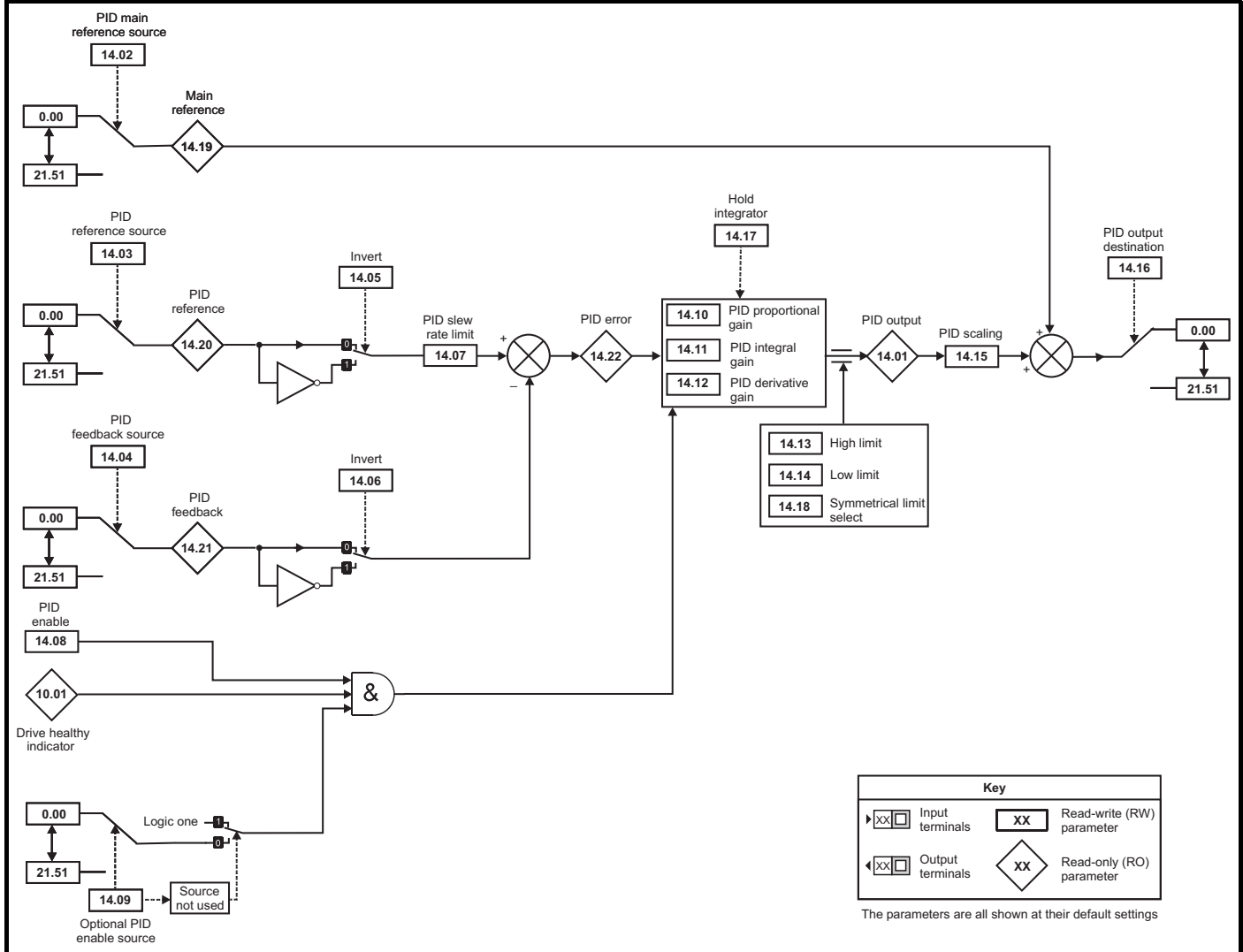
The post-brake release delay is used to allow for the brake release time. During this period the frequency reference is held constant (Pr 2.03 = On), so that there is no sudden increase in motor speed when the brake actually releases.

## 10.14 Menu 14: PID controller

Table 10-25 Menu 14 parameters: single line descriptions

Parameter		Range	Default	Setting	Update Rate
14.01	PID output	±100.0%			21 ms
14.02	PID main reference source	Pr 0.00 to Pr 21.51	Pr 0.00		Drive reset
14.03	PID reference source	Pr 0.00 to Pr 21.51	Pr 0.00		Drive reset
14.04	PID feedback source	Pr 0.00 to Pr 21.51	Pr 0.00		Drive reset
14.05	PID reference source invert	OFF(0) or On(1)	OFF(0)		21 ms
14.06	PID feedback source invert	OFF(0) or On(1)	OFF(0)		21 ms
14.07	PID reference slew rate limit	0.0 to 3200.0 s	0.0		B
14.08	PID enable	OFF(0) or On(1)	OFF(0)		21 ms
14.09	Optional PID enable source	Pr 0.00 to Pr 21.51	Pr 0.00		Drive reset
14.10	PID proportional gain	0.000 to 4.000	1.000		21 ms
14.11	PID integral gain	0.000 to 4.000	0.500		21 ms
14.12	PID derivative gain	0.000 to 4.000	0.000		21 ms
14.13	PID high limit	0.0 to 100.0%	100.0		21 ms
14.14	PID low limit	±100.0%	-100.0		21 ms
14.15	PID scaling	0.000 to 4.000	1.000		21 ms
14.16	PID output destination	Pr 0.00 to Pr 21.51	Pr 0.00		Drive reset
14.17	PID hold integrator	OFF(0) or On(1)	OFF(0)		21 ms
14.18	Select symmetrical limit on PID	OFF(0) or On(1)	OFF(0)		21 ms
14.19	PID Main reference	±100.0%			21 ms
14.20	PID reference	±100.0%			21 ms
14.21	PID feedback	±100.0%			21 ms
14.22	PID error	±100.0%			21 ms

Figure 10-42 Menu 14 logic diagram



**NOTE**

The PID function is only active if the output destination is routed to a valid unprotected parameter. If only the indicator parameters are required, the destination parameter should be routed to an unused valid parameter.

<b>14.01</b>	<b>PID output</b>															
<b>Coding</b>	Bit	SP	FI	DE	Txt	VM	DP	ND	RA	NC	NV	PT	US	RW	BU	PS
							1	1		1		1				
<b>Range</b>	±100%															
<b>Update rate</b>	21 ms															

This parameter monitors the output of the PID controller before scaling is applied. Subject to the PID output limits the PID output is given by:

$$\text{Output} = Pe + Ie/s + Des$$

Where:

P = proportional gain (Pr 14.10)

I = integral gain (Pr 14.11)

D = differential gain (Pr 14.12)

e = input error to the PID (14.22)

s = Laplace operator

Therefore with an error of 100% and P = 1.00 the output produced by the proportional term is 100%. With an error of 100% and I = 1.00 the output produced by the integral term will increase linearly by 100% every second. With an error that is increasing by 100% per second and D = 1.00 the output produced by the D term will be 100%.

<b>14.02</b>	<b>PID main reference source</b>															
<b>14.03</b>	<b>PID reference source</b>															
<b>14.04</b>	<b>PID feedback source</b>															
<b>Coding</b>	Bit	SP	FI	DE	Txt	VM	DP	ND	RA	NC	NV	PT	US	RW	BU	PS
							2					1	1	1	1	
<b>Range</b>	Pr 0.00 to Pr 21.51															
<b>Default</b>	Pr 0.00															
<b>Update rate</b>	Read on drive reset															

These parameters define the variables which are to be used as the input variables to the PID controller. Only valid parameters can be programmed as a source. If a non valid parameter is programmed the input value is taken as 0. All variable inputs to the PID are automatically scaled to variables having the range of ±100.0% or 0 to 100% (of the source parameter) if they are unipolar.

<b>14.05</b>	<b>PID reference source invert</b>															
<b>14.06</b>	<b>PID feedback source invert</b>															
<b>Coding</b>	Bit	SP	FI	DE	Txt	VM	DP	ND	RA	NC	NV	PT	US	RW	BU	PS
	1												1	1		
<b>Range</b>	OFF(0) or On(1)															
<b>Default</b>	OFF(0)															
<b>Update rate</b>	21 ms															

These parameters can be used to invert the PID reference and source variables respectively.

<b>14.07</b>	<b>PID reference slew rate limit</b>															
<b>Coding</b>	Bit	SP	FI	DE	Txt	VM	DP	ND	RA	NC	NV	PT	US	RW	BU	PS
							1						1	1	1	
<b>Range</b>	0.0 to 3200.0 s															
<b>Default</b>	0.0															
<b>Update rate</b>	Background															

This parameter defines the time taken for the reference input to ramp from 0.0 to 100.0% following a 0 to 100% step change in input.

14.08	PID enable															
Coding	Bit	SP	FI	DE	Txt	VM	DP	ND	RA	NC	NV	PT	US	RW	BU	PS
	1												1	1		
Range	OFF(0) or On(1)															
Default	OFF(0)															
Update rate	21 ms															

This parameter must be at On(1) for the PID controller to operate, if it is OFF(0) the PID output will be 0.

14.09	Optional PID enable source															
Coding	Bit	SP	FI	DE	Txt	VM	DP	ND	RA	NC	NV	PT	US	RW	BU	PS
							2					1	1	1	1	
Range	Pr 0.00 to Pr 21.51															
Default	Pr 0.00															
Update rate	Read on drive reset															

To enable the PID controller the drive must be ok (Pr 10.01 = On) and the PID enable (Pr 14.08) must be set to On(1). If the optional enable source (Pr 14.09) is 00.00 or routed to a non-existent parameter the PID controller is still enabled provided Pr 10.01 = On and Pr 14.08 = On. If the optional enable source is routed to an existing parameter the source parameter must be On before the PID controller can be enabled. If the PID controller is disabled the output is zero and the integrator is set to zero.

14.10	PID proportional gain															
Coding	Bit	SP	FI	DE	Txt	VM	DP	ND	RA	NC	NV	PT	US	RW	BU	PS
							3						1	1	1	
Range	0.000 to 4.000															
Default	1.000															
Update rate	21 ms															

This is the proportional gain applied to the PID error.

14.11	PID integral gain															
Coding	Bit	SP	FI	DE	Txt	VM	DP	ND	RA	NC	NV	PT	US	RW	BU	PS
							3						1	1	1	
Range	0.000 to 4.000															
Default	0.500															
Update rate	21 ms															

This is the gain applied to the PID error before being integrated.

14.12	PID derivative gain															
Coding	Bit	SP	FI	DE	Txt	VM	DP	ND	RA	NC	NV	PT	US	RW	BU	PS
							3						1	1	1	
Range	0.000 to 4.000															
Default	0.000															
Update rate	21 ms															

This is the gain applied to the PID error before being differentiated.

14.13	PID high limit															
Coding	Bit	SP	FI	DE	Txt	VM	DP	ND	RA	NC	NV	PT	US	RW	BU	PS
							1						1	1	1	
Range	0.0 to 100.0%															
Default	100.0															
Update rate	21 ms															



14.14	PID low limit															
Coding	Bit	SP	FI	DE	Txt	VM	DP	ND	RA	NC	NV	PT	US	RW	BU	PS
							1						1	1	1	
Range	±100.0 %															
Default	-100.0															
Update rate	21 ms															

If Pr 14.18 = OFF(0), the high limit (Pr 14.13) defines the maximum positive output for the PID controller and the lower limit (Pr 14.14) defines the minimum positive or maximum negative output. If Pr 14.18 = On, the high limit defines the maximum positive or negative magnitude for the PID controller output. When any of the limits are active the integrator is held.

14.15	PID scaling															
Coding	Bit	SP	FI	DE	Txt	VM	DP	ND	RA	NC	NV	PT	US	RW	BU	PS
							3					1	1	1	1	
Range	0.000 to 4.000															
Default	1.000															
Update rate	21 ms															

The PID output is scaled by this parameter before being added to the main reference. After the addition to the main reference, the output is automatically scaled again to match the range of the destination parameter.

14.16	PID output destination															
Coding	Bit	SP	FI	DE	Txt	VM	DP	ND	RA	NC	NV	PT	US	RW	BU	PS
			1				2					1	1	1	1	
Range	Pr 0.00 to Pr 21.51															
Default	Pr 0.00															
Update rate	Read on drive reset															

The destination parameter should be set up with the parameter that the PID controller is to control. Only parameters which are not protected can be controlled by the PID function. If a non valid parameter is programmed the output is not routed anywhere. If the PID is to control speed then it is suggested that one of the preset speed parameters is entered here.

14.17	PID hold integrator															
Coding	Bit	SP	FI	DE	Txt	VM	DP	ND	RA	NC	NV	PT	US	RW	BU	PS
	1									1				1		
Range	OFF(0) or On(1)															
Default	OFF(0)															
Update rate	21 ms															

When this parameter is set to 0 the integrator operates normally. Setting this parameter to On(1) will cause the integrator value to be held as long as the PID is enabled when the drive is disabled. Setting this parameter does not prevent the integrator from being reset to zero if the PID controller is disabled.

14.18	Select symmetrical limit on PID															
Coding	Bit	SP	FI	DE	Txt	VM	DP	ND	RA	NC	NV	PT	US	RW	BU	PS
	1												1	1		
Range	OFF(0) or On(1)															
Default	OFF(0)															
Update rate	21 ms															

See Pr 14.13 and Pr 14.14 on page 151 and page 152 respectively.

14.19	PID main reference															
Coding	Bit	SP	FI	DE	Txt	VM	DP	ND	RA	NC	NV	PT	US	RW	BU	PS
							1	1		1		1				
Range	±100.0%															
Update rate	21 ms															

This parameter monitors the main reference input of the PID controller.

14.20	PID reference															
Coding	Bit	SP	FI	DE	Txt	VM	DP	ND	RA	NC	NV	PT	US	RW	BU	PS
							1	1		1		1				
Range	±100.0%															
Update rate	21 ms															

This parameter monitors the reference input of the PID controller.

14.21	PID feedback															
Coding	Bit	SP	FI	DE	Txt	VM	DP	ND	RA	NC	NV	PT	US	RW	BU	PS
							1	1		1		1				
Range	±100.0%															
Update rate	21 ms															

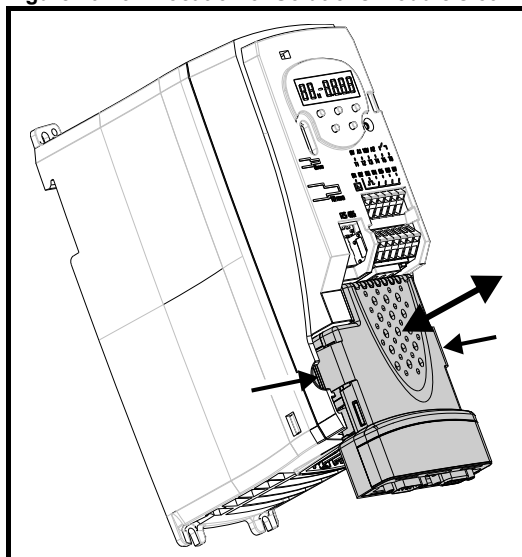
This parameter monitors the feedback input of the PID controller.

14.22	PID error															
Coding	Bit	SP	FI	DE	Txt	VM	DP	ND	RA	NC	NV	PT	US	RW	BU	PS
							1	1		1		1				
Range	±100.0%															
Update rate	21 ms															

This parameter monitors the error of the PID controller.

## 10.15 Menu 15: Solutions Module set-up

Figure 10-43 Location of Solutions Module slot



### NOTE

The Solutions Module must be installed when the drive is powered down.

### Parameters common to all categories

Parameter	Range	Default	Update rate
Pr 15.01	Solutions Module ID	0 to 599	Write on power up
Pr 15.02	Solutions Module software version	00.00 to 99.99	Write on power up
Pr 15.50	Solutions Module error status	0 to 255	BR
Pr 15.51	Solutions Module software sub-version	0 to 99	Write on power up

The Solutions Module ID indicates the type of module that is installed in the slot.

Table 10-26 Solutions Module ID

Solutions Module ID	Module	Category
0	No module installed	
203	SM-I/O Timer	Automation
204	SM-PELV	
205	SM-I/O 24V Protected	
206	SM-I/O 120V	
207	SM-I/O Lite	
208	SM-I/O 32	
401	SM-LON	Fieldbus
403	SM-Profibus DP	
404	SM-Interbus	
407	SM-Devicenet	
408	SM-CANopen	
410	SM-Ethernet	
421	SM-EtherCAT	

### NOTE

When a Solutions Module is installed to the Commander SK for the first time, when the drive is powered up, the drive will trip on SL.dF. Power down and power back up. The Commander SK automatically saves the appropriate information for the Solutions Module. If a Solutions Module is removed, when the drive is next powered up, the drive will trip on SL.nF. To clear this trip a parameter save needs to be performed.

**10.15.1 SM-I/O Lite and SM-I/O Timer Solutions Module****NOTE**

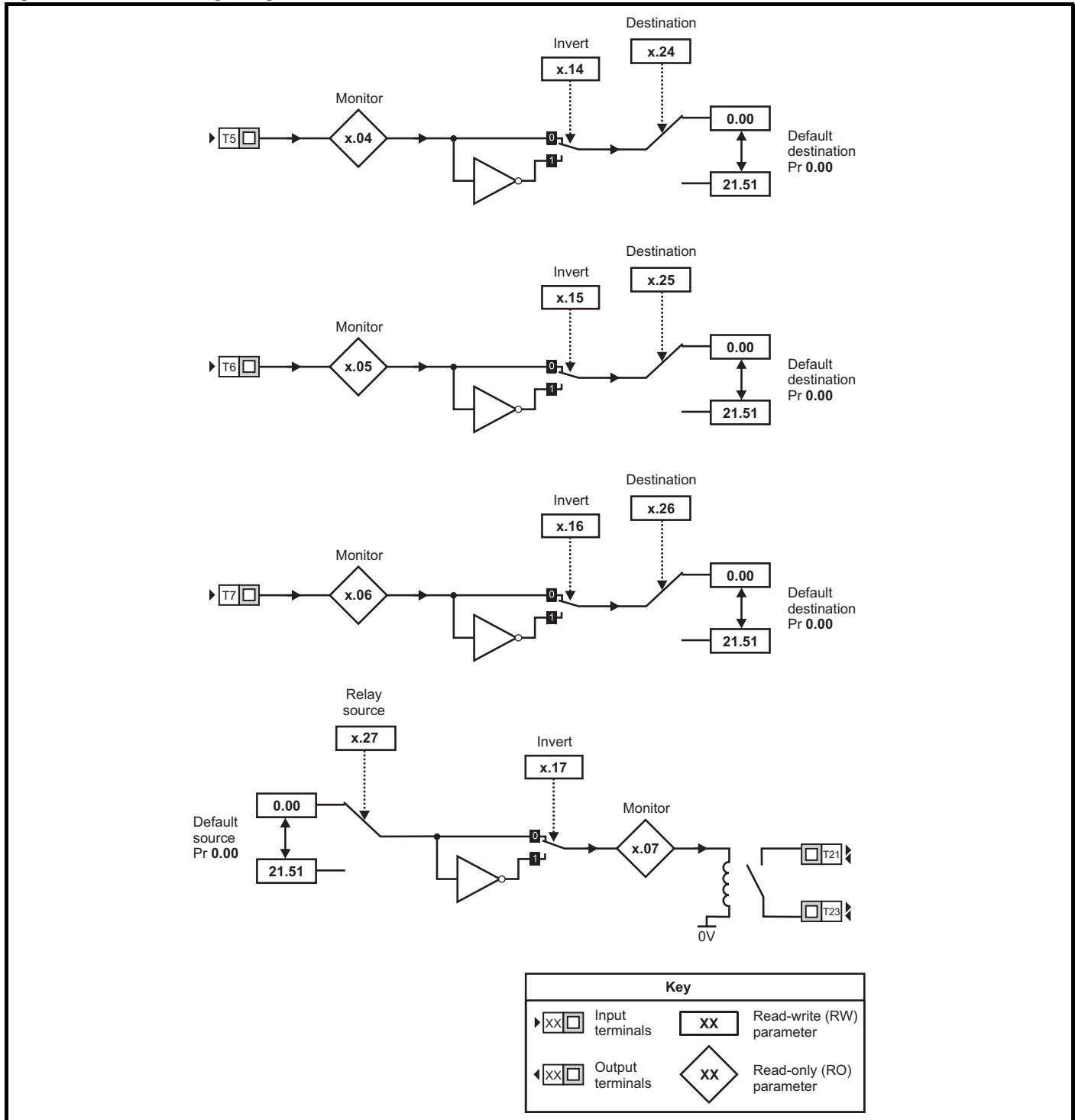
The encoder reference function is only active if the output destination is routed to a valid unprotected parameter. If only the indicator parameters are required, the destination parameter should be routed to an unused valid parameter.

**Table 10-27 Menu 15 I/O option parameters: single line descriptions**

Parameter	Range	Default	Setting	Update Rate
15.01	Solutions Module identification code	0 to 599	See table	Write on power up
15.02	Solutions Module software version	00.00 to 99.99		Write on power up
15.03	Current loop loss indicator	OFF(0) or On(1)		BW
15.04	Terminal T5 digital input 1 state	OFF(0) or On(1)		BW
15.05	Terminal T6 digital input 2 state	OFF(0) or On(1)		BW
15.06	Terminal T7 digital input 3 state	OFF(0) or On(1)		BW
15.07	Relay 1 state (Terminals T21 and T23)	OFF(0) or On(1)		BW
15.08	Not used			
15.09	Not used			
15.10	Not used			
15.11	Not used			
15.12	Not used			
15.13	Not used			
15.14	Terminal T5 digital input 1 invert	OFF(0) or On(1)	OFF(0)	BR
15.15	Terminal T6 digital input 2 invert	OFF(0) or On(1)	OFF(0)	BR
15.16	Terminal T7 digital input 3 invert	OFF(0) or On(1)	OFF(0)	BR
15.17	Relay 1 invert	OFF(0) or On(1)	OFF(0)	BR
15.18	Not used			
15.19	Real time clock daylight saving mode	OFF(0) or On(1)	OFF(0)	BR
15.20	Digital I/O read word	0 to 120		BW
15.21	Not used			
15.22	Not used			
15.23	Not used			
15.24	Terminal T5 digital input 1 destination	Pr 0.00 to Pr 21.51	Pr 0.00	Drive reset
15.25	Terminal T6 digital input 2 destination	Pr 0.00 to Pr 21.51	Pr 0.00	Drive reset
15.26	Terminal T7 digital input 3 destination	Pr 0.00 to Pr 21.51	Pr 0.00	Drive reset
15.27	Terminal T21/T23 relay 1 source	Pr 0.00 to Pr 21.51	Pr 0.00	Drive reset
15.28	Not used			
15.29	Not used			
15.30	Real time clock update mode	0 to 2	0	B R/W
15.31	Not used			
15.32	Not used			
15.33	Not used			
15.34	Real time clock minutes/seconds	00.00 to 59.59	00.00	B R/W
15.35	Real time clock days/hours	1.00 to 7.23	0.00	B R/W
15.36	Real time clock month/date	00.00 to 12.31	00.00	B R/W
15.37	Real time clock years	2000 to 2099	2000	B R/W
15.38	Analog input 1 mode (Terminal T2)	0-20(0), 20-0(1), 4-20(2), 20-4(3), 4-20(4), 20-4(5), VoLt(6)	0-20(0)	On Drive reset
15.39	Analog output 1 mode (Terminal T3)	0-20(0), 20-0(1), 4-20(2), 20-4(3), VoLt(4)	0-20(0)	BR
15.40	Analog input 1 level (Terminal T2)	-100% to +100%		BW
15.41	Analog input 1 scaling (Terminal T2)	0.000 to 4.000	1.000	BR
15.42	Analog input 1 invert (Terminal T2)	OFF(0) or On(1)	OFF(0)	BR
15.43	Analog input 1 destination (Terminal T2)	Pr 0.00 to Pr 21.51	Pr 0.00	Drive reset
15.44	Not used			
15.45	Not used			
15.46	Not used			
15.47	Not used			
15.48	Analog output 1 source (Terminal T3)	Pr 0.00 to Pr 21.51	Pr 0.00	Drive reset
15.49	Analog output 1 scaling (Terminal T3)	0.000 to 4.000	1.000	BR
15.50	Solutions Module error status	0 to 255		BR
15.51	Solutions Module software sub-version	0 to 99		Write on power up
15.52	Drive encoder lines per revolution	512(0), 1024(1), 2048(2), 4096(3)	1024(1)	BR
15.53	Drive encoder revolution counter	0 to 65535		BW

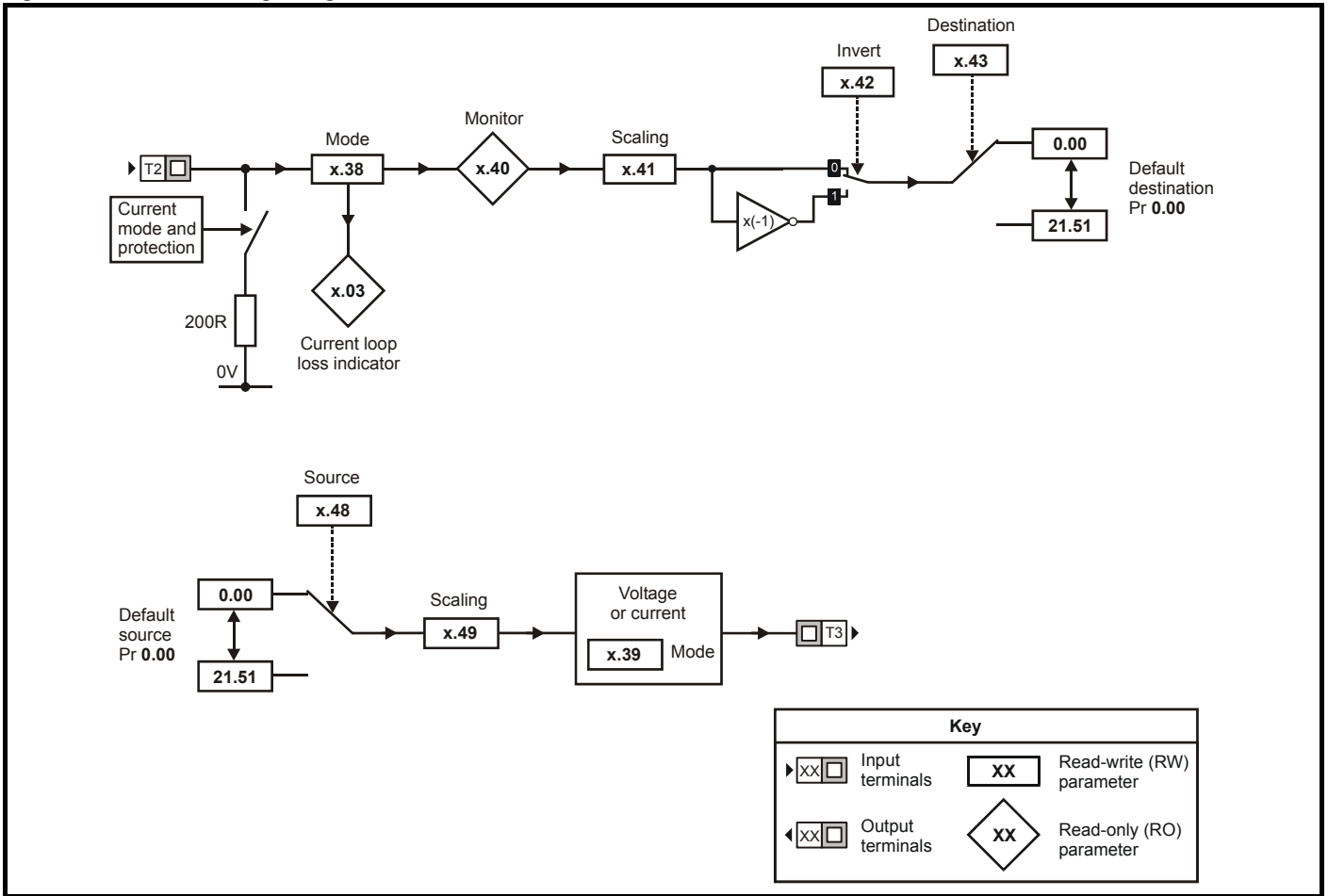
Parameter	Range	Default	Setting	Update Rate
<b>15.54</b> Drive encoder position	0 to 65535 (1/2 <sup>16</sup> ths of a revolution)			BW
<b>15.55</b> Drive encoder speed feedback	-32000 to +32000 rpm			BW
<b>15.56</b> Maximum drive encoder reference	0 to 32000 rpm	1500		BR
<b>15.57</b> Drive encoder reference level	-100% to +100%			BW
<b>15.58</b> Drive encoder reference scaling	0.000 to 4.000	1.000		BR
<b>15.59</b> Drive encoder reference destination	Pr <b>0.00</b> to Pr <b>21.51</b>	Pr <b>0.00</b>		Drive reset
<b>15.60</b> Encoder reset	OFF(0) or On(1)	OFF(0)		Encoder only 13ms. All I/O routed 30ms

Figure 10-44 Menu 15A logic diagram\*



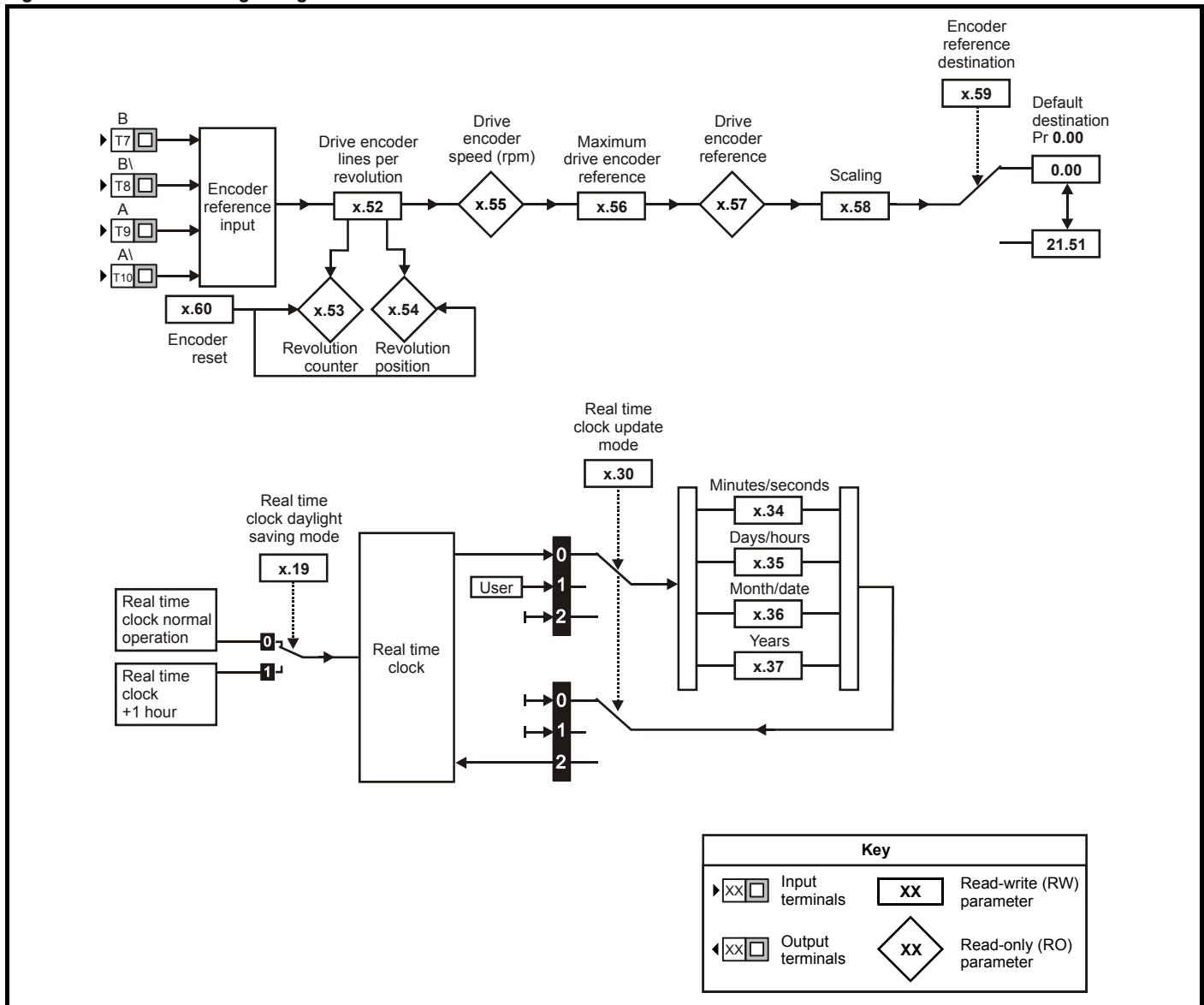
\* x in the parameter boxes represents Menu 15 (i.e. x.04 = Pr 15.04)

Figure 10-45 Menu 15B logic diagram\*



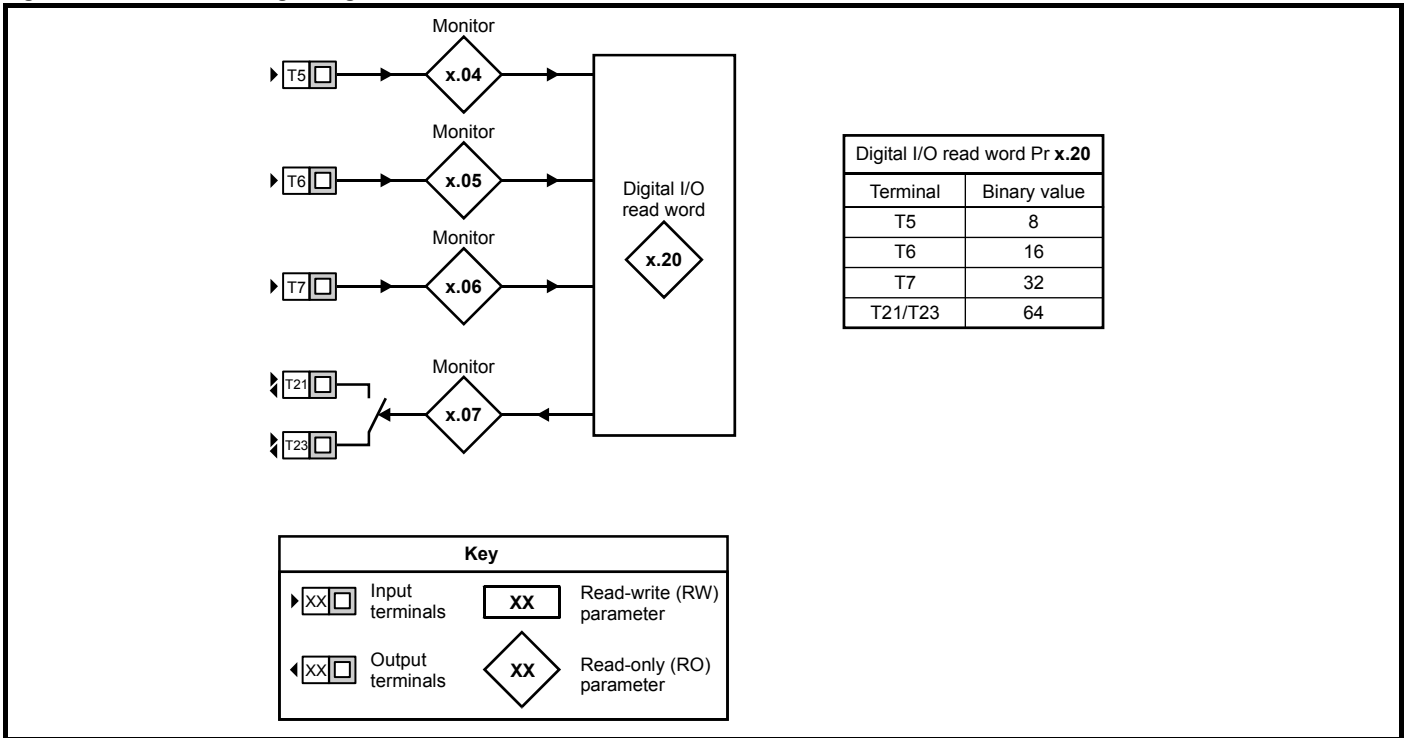
\* x in the parameter boxes represents Menu 15 (i.e. x.04 = Pr 15.04)

Figure 10-46 Menu 15C logic diagram\*



\* x in the parameter boxes represents Menu 15 (i.e. x.04 = Pr 15.04)

Figure 10-47 Menu 15D logic diagram\*



\* x in the parameter boxes represents Menu 15 (i.e. x.04 = Pr 15.04)



### SM-I/O Lite & SM-I/O Timer

The Commander SK SM-I/O Lite & SM-I/O Timer options have an analog input that operates with a 11 bit resolution in both voltage and current modes.

The analog output has a resolution of approximately 13 bits ( $\pm 1.25\text{mV}$  resolution in voltage mode and  $\pm 2.5\mu\text{A}$  resolution in current mode).

#### Input / outputs - sample times / update rates

The communications between the drive and the Solutions Module is through a synchronous serial link operating at 100kHz. The update rate of the I/O is dependant on the number of I/O being used.

If fast update rates of I/O are required, the drive I/O should be used or the Solutions Module I/O loading should be kept to a minimum.

I/O description	Required update time (ms)
Background (mandatory)	5
Digital input 1	2
Digital input 2	2
Digital input 3/ Encoder input	2
Relay output	2
Analog input (10/11 bit)	2/8*
Analog output	3
Total update time for all	18/24*

Sample calculation of update rate:

Analog input (2) + analog output (3) + digital input (2) + relay output (2) + background (5) = 14 ms

\* When the analog input is routed to precision reference parameters, Pr 1.18 and Pr 1.19, the worst-case update time is  $4 \times 2 = 8$  ms

#### NOTE

If a 32 bit parameter is used as a source parameter on a Solutions Module, then it should be routed via a Menu 18 parameter e.g. Pr 18.12.

#### NOTE

The encoder reference input is only active when the destination parameter (Pr 15.59) is routed to a valid parameter.

15.01	Solutions module identification code															
Coding	Bit	SP	FI	DE	Txt	VM	DP	ND	RA	NC	NV	PT	US	RW	BU	PS
								1				1	1		1	
Range	0 or 599															
Default	See Table 10-26 <i>Solutions Module ID</i> on page 171															
Update rate	Write on power up															

The new parameter values are stored automatically by the drive. If the drive is subsequently powered up with a different Solutions Module installed or no Solutions Module installed when one was previously installed. The drive will trip on SL.dF or SL.nF.

15.02	Solutions Module software version															
Coding	Bit	SP	FI	DE	Txt	VM	DP	ND	RA	NC	NV	PT	US	RW	BU	PS
							2	1		1		1			1	
Range	00.00 to 99.99															
Update rate	Write on power up															

This parameter shows the version of software programmed into the Solutions Module. The software sub version is displayed in Pr 15.51.

These two parameters display the software version in the form of:

Pr 15.02 = xx.yy

Pr 15.51 = zz

15.03	Current loop loss indicator															
Coding	Bit	SP	FI	DE	Txt	VM	DP	ND	RA	NC	NV	PT	US	RW	BU	PS
	1							1		1		1				
Range	OFF(0) or On(1)															
Update rate	Background write															

If the SM-I/O Lite/ SM-I/O Timer analog input is programmed in any of the modes 2 to 5 (see Pr 15.38) then this bit is set if the current input falls below 3mA. This bit can be designated to a digital output to indicate that the current input is less than 3mA.

<b>15.04</b>	<b>Terminal T5 digital input 1 state</b>															
<b>15.05</b>	<b>Terminal T6 digital input 2 state</b>															
<b>15.06</b>	<b>Terminal T7 digital input 3 state</b>															
<b>Coding</b>	Bit	SP	FI	DE	Txt	VM	DP	ND	RA	NC	NV	PT	US	RW	BU	PS
	1							1		1		1				
<b>Range</b>	OFF(0) or On(1)															
<b>Update rate</b>	Background write															

0: OFF Inactive

1: On Active

Terminals T5 to T7 are three programmable digital inputs.

These parameters indicate the state of the digital input terminals.

If an external trip is required, then one of the terminals should be programmed to control the external trip parameter (Pr 10.32), with the invert set to On(1) so that the terminal must be made active for the drive not to trip.

**NOTE**

The digital inputs are set up in positive logic. This logic cannot be changed.

<b>15.07</b>	<b>Relay 1 state (Terminals T21 and T23)</b>															
<b>Coding</b>	Bit	SP	FI	DE	Txt	VM	DP	ND	RA	NC	NV	PT	US	RW	BU	PS
	1							1		1		1				
<b>Range</b>	OFF(0) or On(1)															
<b>Update rate</b>	Background write															

0: OFF De-energized

1: On Energized

This parameter indicates the state of the relay.

<b>15.08 to 15.13</b>	<b>Unused parameters</b>														
-----------------------	--------------------------	--	--	--	--	--	--	--	--	--	--	--	--	--	--

<b>15.14</b>	<b>Terminal T5 digital input 1 invert</b>															
<b>15.15</b>	<b>Terminal T6 digital input 2 invert</b>															
<b>15.16</b>	<b>Terminal T7 digital input 3 invert</b>															
<b>Coding</b>	Bit	SP	FI	DE	Txt	VM	DP	ND	RA	NC	NV	PT	US	RW	BU	PS
	1												1	1		
<b>Range</b>	OFF(0) or On(1)															
<b>Default</b>	OFF(0)															
<b>Update rate</b>	Background read															

Setting these parameters to On(1) causes the input sense to the destination parameter to be inverted.

<b>15.17</b>	<b>Relay 1 invert (terminals T21 and T23)</b>															
<b>Coding</b>	Bit	SP	FI	DE	Txt	VM	DP	ND	RA	NC	NV	PT	US	RW	BU	PS
	1												1	1		
<b>Range</b>	OFF(0) or On(1)															
<b>Default</b>	OFF(0)															
<b>Update rate</b>	Background read															

Setting this parameter to On(1) causes the relay sense to be inverted.

<b>15.18</b>	<b>Unused parameter</b>														
--------------	-------------------------	--	--	--	--	--	--	--	--	--	--	--	--	--	--

<b>15.19</b>	<b>Real time clock daylight saving mode</b>															
<b>Coding</b>	Bit	SP	FI	DE	Txt	VM	DP	ND	RA	NC	NV	PT	US	RW	BU	PS
	1												1	1		
<b>Range</b>	OFF(0) or On(1)															
<b>Default</b>	OFF(0)															
<b>Update rate</b>	Background read															

0: OFF Real time clock normal operation

1: On Real time clock + 1 hour

**NOTE**

The real time clock is not available on SM-I/O Lite.

<b>15.20</b>	<b>Digital I/O read word</b>															
<b>Coding</b>	Bit	SP	FI	DE	Txt	VM	DP	ND	RA	NC	NV	PT	US	RW	BU	PS
								1		1		1			1	
<b>Range</b>	0 to 120															
<b>Update rate</b>	Background write															

This word is used to determine the status of the digital I/O by reading one parameter.

Pr 15.20 contains a binary value 'xx'. This binary value is determined by the state of Pr 15.04 to Pr 15.07. So for example, if all terminals were active the value displayed in Pr 15.20 would be the sum of the binary values shown in the table, i.e. 120.

Binary value for xx	Digital I/O
1	
2	
4	
8	Terminal T5
16	Terminal T6
32	Terminal T7
64	Terminals T21 & T23
128	

<b>15.21 to 15.23</b>	<b>Unused parameters</b>
-----------------------	--------------------------

<b>15.24</b>	<b>Terminal T5 digital input 1 destination</b>															
<b>15.25</b>	<b>Terminal T6 digital input 2 destination</b>															
<b>15.26</b>	<b>Terminal T7 digital input 3 destination</b>															
<b>Coding</b>	Bit	SP	FI	DE	Txt	VM	DP	ND	RA	NC	NV	PT	US	RW	BU	PS
				1			2					1	1	1	1	
<b>Range</b>	Pr 0.00 to Pr 21.51															
<b>Default</b>	Pr 0.00															
<b>Update rate</b>	Read on drive reset															

Destination parameters define the parameter each of the programmable inputs is to control. Only parameters that are not protected can be controlled by the programmable digital inputs. If a non-valid parameter is programmed, the digital input is not routed anywhere.

<b>15.27</b>	<b>Terminal T21/T23 relay 1 source</b>															
<b>Coding</b>	Bit	SP	FI	DE	Txt	VM	DP	ND	RA	NC	NV	PT	US	RW	BU	PS
				1			2					1	1	1	1	
<b>Range</b>	Pr 0.00 to Pr 21.51															
<b>Default</b>	Pr 0.00															
<b>Update rate</b>	Read on drive reset															

This parameter defines the parameter to be represented by the status relay. Only valid parameters can be selected as a source for the relay output. If a non-valid parameter is programmed, then the relay will remain in the last known state.

<b>15.28 to 15.29</b>	<b>Unused parameter</b>
-----------------------	-------------------------

<b>15.30</b>	<b>Real time clock update mode</b>															
<b>Coding</b>	Bit	SP	FI	DE	Txt	VM	DP	ND	RA	NC	NV	PT	US	RW	BU	PS
														1	1	
<b>Range</b>	0 to 2															
<b>Default</b>	0															
<b>Update rate</b>	Background read/write															

- 0: Real time clock parameters controlled by real time clock
- 1: Real time clock parameters controlled by user
- 2: Real time clock reads real time clock parameters and sets Pr 15.30 to 0

**NOTE**

The real time clock is not available on SM-I/O Lite.

**15.31 to 15.33 Unused parameters**

<b>15.34</b>	<b>Real time clock minutes/seconds</b>															
<b>Coding</b>	Bit	SP	FI	DE	Txt	VM	DP	ND	RA	NC	NV	PT	US	RW	BU	PS
							2			1		1		1	1	
<b>Range</b>	00.00 to 59.59															
<b>Default</b>	00.00															
<b>Update rate</b>	Background read/write															

<b>15.35</b>	<b>Real time clock days/hours</b>															
<b>Coding</b>	Bit	SP	FI	DE	Txt	VM	DP	ND	RA	NC	NV	PT	US	RW	BU	PS
							2			1		1		1	1	
<b>Range</b>	1.00 to 7.23															
<b>Default</b>	00.0															
<b>Update rate</b>	Background read/write															

<b>15.36</b>	<b>Real time clock month/date</b>															
<b>Coding</b>	Bit	SP	FI	DE	Txt	VM	DP	ND	RA	NC	NV	PT	US	RW	BU	PS
							2			1		1		1	1	
<b>Range</b>	00.00 to 12.31															
<b>Default</b>	00.00															
<b>Update rate</b>	Background read/write															

<b>15.37</b>	<b>Real time clock years</b>															
<b>Coding</b>	Bit	SP	FI	DE	Txt	VM	DP	ND	RA	NC	NV	PT	US	RW	BU	PS
										1		1		1	1	
<b>Range</b>	2000 to 2099															
<b>Default</b>	2000															
<b>Update rate</b>	Background read/write															

When an option with a real time clock is installed, Pr 15.34 to Pr 15.37 will be controlled by the option.

**NOTE**

Pr 15.34 to Pr 15.37 are not available on SM-I/O Lite

<b>15.38</b>	<b>Analog input 1 mode (Terminal T2)</b>															
<b>Coding</b>	Bit	SP	FI	DE	Txt	VM	DP	ND	RA	NC	NV	PT	US	RW	BU	PS
					1								1	1	1	
<b>Range</b>	0-20(0), 20-0(1), 4-20(2), 20-4(3), 4-.20(4), 20-.4(5), VoLt(6)															
<b>Default</b>	0-20(0)															
<b>Update rate</b>	On drive reset															

Terminal T2 is a voltage/current reference input. The setting of this parameter configures the terminal to the required mode

Value	Display	Function
0	0-20	0 to 20mA
1	20-0	20 to 0mA
2	4-20	4 to 20mA with trip on loss
3	20-4	20 to 4mA with trip on loss
4	4-.20	4 to 20mA with no trip on loss
5	20-.4	20 to 4mA with no trip on loss
6	VoLt	-10 to +10 volts

In modes 2 and 3, a current loop loss trip will be generated as SL.Er if the current input falls below 3mA, and Pr **15.50** will be set to a 2. If 4-.20 or 20-.4 modes are selected, Pr **15.03** will switch from OFF to On to indicate that the current reference is less than 3mA.

**NOTE**

If Bi-Polar operation is required, the -10V reference must be generated and supplied by an external power supply.

15.39	Analog output 1 mode (Terminal T3)															
<b>Coding</b>	Bit	SP	FI	DE	Txt	VM	DP	ND	RA	NC	NV	PT	US	RW	BU	PS
					1								1	1	1	
<b>Range</b>	0-20(0), 20-0(1), 4-20(2), 20-4(3), VoLt(4)															
<b>Default</b>	0-20(0)															
<b>Update rate</b>	Background read															

Terminal T3 is a voltage/current output. The setting of this parameter configures the terminal to the required mode.

Value	Display	Function
0	0-20	0 to 20mA
1	20-0	20 to 0mA
2	4-20	4 to 20mA
3	20-4	20 to 4mA
4	VoLt	0 to +10V

15.40	Analog input 1 level (Terminal T2)															
<b>Coding</b>	Bit	SP	FI	DE	Txt	VM	DP	ND	RA	NC	NV	PT	US	RW	BU	PS
							1	1		1		1				
<b>Range</b>	-100% to +100%															
<b>Update rate</b>	Background write															

This parameter displays the level of the analog signal present at analog input 1.

In voltage mode, this is a bipolar voltage input where the input range is -10V to +10V.

In current mode, this is a unipolar current input having a maximum measurable input of 20mA. The drive can be programmed to convert the measured current to any one of the defined ranges in Pr **15.38**. The selected range is converted to 0 - 100.0%.

15.41	Analog input 1 scaling (Terminal T2)															
<b>Coding</b>	Bit	SP	FI	DE	Txt	VM	DP	ND	RA	NC	NV	PT	US	RW	BU	PS
							3						1	1	1	
<b>Range</b>	0.000 to 4.000															
<b>Default</b>	1.000															
<b>Update rate</b>	Background read															

This parameter is used to scale the analog input if so desired. However in most cases it is not necessary as each input is automatically scaled such that for 100.0%, the destination parameters (defined by the settings of Pr **15.43**) will be at maximum.

15.42	Analog input 1 invert (terminal T2)															
<b>Coding</b>	Bit	SP	FI	DE	Txt	VM	DP	ND	RA	NC	NV	PT	US	RW	BU	PS
	1												1	1		
<b>Range</b>	OFF(0) or On(1)															
<b>Default</b>	OFF(0)															
<b>Update rate</b>	Background read															

This parameter can be used to invert the analog input reference (i.e. multiply the input scaling result by -1)

<b>15.43</b>	<b>Analog input 1 destination (Terminal T2)</b>															
<b>Coding</b>	Bit	SP	FI	DE	Txt	VM	DP	ND	RA	NC	NV	PT	US	RW	BU	PS
							2					1	1	1	1	
<b>Range</b>	Pr 0.00 to Pr 21.51															
<b>Default</b>	Pr 0.00															
<b>Update rate</b>	Drive read on reset															

Only parameters that are not protected can be controlled by analog inputs. If a non-valid parameter is programmed to the destination of an analog input, the input is not routed anywhere. After a modification to this parameter, the destination is only changed when a reset is performed.

<b>15.44 to 15.47</b>	<b>Unused parameters</b>
-----------------------	--------------------------

<b>15.48</b>	<b>Analog output 1 source (Terminal T3)</b>															
<b>Coding</b>	Bit	SP	FI	DE	Txt	VM	DP	ND	RA	NC	NV	PT	US	RW	BU	PS
							2					1	1	1	1	
<b>Range</b>	Pr 0.00 to Pr 21.51															
<b>Default</b>	Pr 0.00															
<b>Update rate</b>	Drive read on reset															

The parameter required to be represented as an analog signal by the analog output on Terminal T3 should be programmed in this parameter. Only parameters that are valid can be programmed as a source. If a non-valid parameter is programmed as a source, the output will remain at zero. After a modification to this parameter, the source is only changed when a reset is performed.

<b>15.49</b>	<b>Analog output 1 scaling (Terminal T3)</b>															
<b>Coding</b>	Bit	SP	FI	DE	Txt	VM	DP	ND	RA	NC	NV	PT	US	RW	BU	PS
							3						1	1	1	
<b>Range</b>	0.000 to 4.000															
<b>Default</b>	1.000															
<b>Update rate</b>	Background read															

This parameter can be used to scale the analog output if so desired. However in most cases it is not necessary as the output is automatically scaled such that when the source parameter is at its maximum, the analog output will be at its maximum.

<b>15.50</b>	<b>Solutions Module error status</b>															
<b>Coding</b>	Bit	SP	FI	DE	Txt	VM	DP	ND	RA	NC	NV	PT	US	RW	BU	PS
								1		1		1				
<b>Range</b>	0 to 255															
<b>Update rate</b>	Background write															

If a Solutions Module error is detected, the drive will trip on SL.Er. The reason for the trip is stored in Pr 15.50.

**Table 10-28 Error Codes**

Error Code	Reason for Fault
0	No error
1	Digital output short circuit
2	Current input to high or too low
3	Encoder supply over current
4	SM-I/O Lite / SM-I/O Timer serial communications error
5	Real time clock error (SM-I/O Timer only)
74	SM-I/O Lite / SM-I/O Timer PCB over temperature

The drive can also trip on a number of Solutions Module trips, SL.xx. Please see table 9-13, Trip Indications in the Commander SK Advanced User Guide.

The SM-I/O Lite and SM-I/O Timer includes a temperature monitoring circuit. If the pcb temperature exceeds 65°C, the drives cooling fan is forced to operate for a minimum of 20 seconds. If the pcb temperature falls below 65°C, the fan will switch off. If the pcb temperature exceeds 70°C, the drive will trip on SL.Er and the error status will be set to 74.

<b>15.51</b>	<b>Solutions Module software sub-version</b>															
<b>Coding</b>	Bit	SP	FI	DE	Txt	VM	DP	ND	RA	NC	NV	PT	US	RW	BU	PS
							2	1		1		1			1	
<b>Range</b>	00 to 99															
<b>Update rate</b>	Write on power up															

This parameter shows the version of software sub version programmed into the Solutions Module. See Pr 15.02

<b>15.52</b>	<b>Drive encoder lines per revolution</b>															
<b>Coding</b>	Bit	SP	FI	DE	Txt	VM	DP	ND	RA	NC	NV	PT	US	RW	BU	PS
					1								1	1	1	
<b>Range</b>	512(0), 1024(1), 2048(2), 4096(3)															
<b>Default</b>	1024(1)															
<b>Update rate</b>	Background read															

Indicates the number of lines per revolution for the encoder.

Value	Display	Description
0	512	512 lines per revolution encoder
1	1024	1024 lines per revolution encoder
2	2048	2048 lines per revolution encoder
3	4096	4096 lines per revolution encoder

**NOTE**

A change to this parameter only takes effect when the drive is disabled, stopped or tripped.

<b>15.53</b>	<b>Drive encoder revolution counter</b>															
<b>Coding</b>	Bit	SP	FI	DE	Txt	VM	DP	ND	RA	NC	NV	PT	US	RW	BU	PS
			1					1		1		1			1	
<b>Range</b>	0 to 65535 revolutions															
<b>Update rate</b>	Background write															

This parameter shows the revolutions count of the encoder reference.

**NOTE**

With a reset command, the revolution counter is reset to zero.

<b>15.54</b>	<b>Drive encoder position</b>															
<b>Coding</b>	Bit	SP	FI	DE	Txt	VM	DP	ND	RA	NC	NV	PT	US	RW	BU	PS
			1					1		1		1			1	
<b>Range</b>	0 to 65535 (1/2 <sup>16</sup> ths of a revolution)															
<b>Update rate</b>	Background write															

This parameter shows the position of the encoder reference.

**NOTE**

With a reset command, the encoder position is reset to zero.

<b>15.55</b>	<b>Drive encoder speed feedback</b>															
<b>Coding</b>	Bit	SP	FI	DE	Txt	VM	DP	ND	RA	NC	NV	PT	US	RW	BU	PS
			1					1		1		1				
<b>Range</b>	-32000 to + 32000 rpm															
<b>Update rate</b>	Background write															

This parameter shows the encoder speed in rpm provided that the set-up parameters for the drives reference encoder are correct.

<b>15.56</b>	<b>Maximum drive encoder reference</b>															
<b>Coding</b>	Bit	SP	FI	DE	Txt	VM	DP	ND	RA	NC	NV	PT	US	RW	BU	PS
													1	1	1	
<b>Range</b>	0 to 32000 rpm															
<b>Default</b>	1500															
<b>Update rate</b>	Background read															

This parameter limits the range of the encoder speed reference being used.

<b>15.57</b>	<b>Drive encoder reference level</b>															
<b>Coding</b>	Bit	SP	FI	DE	Txt	VM	DP	ND	RA	NC	NV	PT	US	RW	BU	PS
			1				1					1				
<b>Range</b>	-100% to +100%															
<b>Update rate</b>	Background write															

This parameter shows the percentage of the encoder reference level being used.

<b>15.58</b>	<b>Drive encoder reference scaling</b>															
<b>Coding</b>	Bit	SP	FI	DE	Txt	VM	DP	ND	RA	NC	NV	PT	US	RW	BU	PS
							3						1	1	1	
<b>Range</b>	0.000 to 4.000															
<b>Default</b>	1.000															
<b>Update rate</b>	Background read															

The encoder reference is scaled by this parameter, before being sent to the encoder reference destination.

<b>15.59</b>	<b>Drive encoder reference destination</b>															
<b>Coding</b>	Bit	SP	FI	DE	Txt	VM	DP	ND	RA	NC	NV	PT	US	RW	BU	PS
				1			2					1	1	1	1	
<b>Range</b>	Pr 0.00 to Pr 21.51															
<b>Default</b>	Pr 0.00															
<b>Update rate</b>	Drive read on reset															

This parameter may be routed to any non-protected drive parameter.

After a modification to this parameter, the destination is only changed when a reset is performed.

<b>15.60</b>	<b>Encoder reset</b>															
<b>Coding</b>	Bit	SP	FI	DE	Txt	VM	DP	ND	RA	NC	NV	PT	US	RW	BU	PS
	1													1		
<b>Range</b>	OFF(0) or On(1)															
<b>Default</b>	OFF(0)															
<b>Update rate</b>	Encoder only: 13ms All I/O routed: 30ms															

Setting this Bit parameter to On will reset the drive encoder revolution counter (Pr 15.53) and drive encoder position (Pr 15.54) to zero.

#### NOTE

Please refer to the SM-I/O Lite/ SM-I/O Timer user guide for further information on the SM-I/O Lite and SM-I/O Timer.



## 10.16 Menu 18: Application menu 1

Table 10-29 Menu 18 parameters: single line descriptions

Parameter	Range	Default	Setting	Update Rate
18.01	Application menu 1 power-down saved integer	-32768 to 32767	0	N/A
18.02	Application menu 1 read-only integer	-32768 to 32767	0	N/A
18.03	Application menu 1 read-only integer	-32768 to 32767	0	N/A
18.04	Application menu 1 read-only integer	-32768 to 32767	0	N/A
18.05	Application menu 1 read-only integer	-32768 to 32767	0	N/A
18.06	Application menu 1 read-only integer	-32768 to 32767	0	N/A
18.07	Application menu 1 read-only integer	-32768 to 32767	0	N/A
18.08	Application menu 1 read-only integer	-32768 to 32767	0	N/A
18.09	Application menu 1 read-only integer	-32768 to 32767	0	N/A
18.10	Application menu 1 read-only integer	-32768 to 32767	0	N/A
18.11	Application menu 1 read-write integer	-32768 to 32767	0	N/A
18.12	Application menu 1 read-write integer	-32768 to 32767	0	N/A
18.13	Application menu 1 read-write integer	-32768 to 32767	0	N/A
18.14	Application menu 1 read-write integer	-32768 to 32767	0	N/A
18.15	Application menu 1 read-write integer	-32768 to 32767	0	N/A
18.16	Application menu 1 read-write integer	-32768 to 32767	0	N/A
18.17	Application menu 1 read-write integer	-32768 to 32767	0	N/A
18.18	Application menu 1 read-write integer	-32768 to 32767	0	N/A
18.19	Application menu 1 read-write integer	-32768 to 32767	0	N/A
18.20	Application menu 1 read-write integer	-32768 to 32767	0	N/A
18.21	Application menu 1 read-write integer	-32768 to 32767	0	N/A
18.22	Application menu 1 read-write integer	-32768 to 32767	0	N/A
18.23	Application menu 1 read-write integer	-32768 to 32767	0	N/A
18.24	Application menu 1 read-write integer	-32768 to 32767	0	N/A
18.25	Application menu 1 read-write integer	-32768 to 32767	0	N/A
18.26	Application menu 1 read-write integer	-32768 to 32767	0	N/A
18.27	Application menu 1 read-write integer	-32768 to 32767	0	N/A
18.28	Application menu 1 read-write integer	-32768 to 32767	0	N/A
18.29	Application menu 1 read-write integer	-32768 to 32767	0	N/A
18.30	Application menu 1 read-write integer	-32768 to 32767	0	N/A
18.31	Application menu 1 read-write bit	OFF(0) or On(1)	OFF(0)	N/A
18.32	Application menu 1 read-write bit	OFF(0) or On(1)	OFF(0)	N/A
18.33	Application menu 1 read-write bit	OFF(0) or On(1)	OFF(0)	N/A
18.34	Application menu 1 read-write bit	OFF(0) or On(1)	OFF(0)	N/A
18.35	Application menu 1 read-write bit	OFF(0) or On(1)	OFF(0)	N/A
18.36	Application menu 1 read-write bit	OFF(0) or On(1)	OFF(0)	N/A
18.37	Application menu 1 read-write bit	OFF(0) or On(1)	OFF(0)	N/A
18.38	Application menu 1 read-write bit	OFF(0) or On(1)	OFF(0)	N/A
18.39	Application menu 1 read-write bit	OFF(0) or On(1)	OFF(0)	N/A
18.40	Application menu 1 read-write bit	OFF(0) or On(1)	OFF(0)	N/A
18.41	Application menu 1 read-write bit	OFF(0) or On(1)	OFF(0)	N/A
18.42	Application menu 1 read-write bit	OFF(0) or On(1)	OFF(0)	N/A
18.43	Application menu 1 read-write bit	OFF(0) or On(1)	OFF(0)	N/A
18.44	Application menu 1 read-write bit	OFF(0) or On(1)	OFF(0)	N/A
18.45	Application menu 1 read-write bit	OFF(0) or On(1)	OFF(0)	N/A
18.46	Application menu 1 read-write bit	OFF(0) or On(1)	OFF(0)	N/A
18.47	Application menu 1 read-write bit	OFF(0) or On(1)	OFF(0)	N/A
18.48	Application menu 1 read-write bit	OFF(0) or On(1)	OFF(0)	N/A
18.49	Application menu 1 read-write bit	OFF(0) or On(1)	OFF(0)	N/A
18.50	Application menu 1 read-write bit	OFF(0) or On(1)	OFF(0)	N/A

Menu 18 contains parameter that do not affect the operation of the drive. These general purpose parameters are intended for use with fieldbus and drive user programming. The read-write parameters in this menu can be saved in the drive.

18.01	Application menu 1 power-down saved integer															
Coding	Bit	SP	FI	DE	Txt	VM	DP	ND	RA	NC	NV	PT	US	RW	BU	PS
										1				1		1
Range	-32768 to 32767															
Default	0															
Update rate	N/A															

18.02 to 18.10	Application menu 1 read-only integer															
Coding	Bit	SP	FI	DE	Txt	VM	DP	ND	RA	NC	NV	PT	US	RW	BU	PS
										1						
Range	-32768 to 32767															
Default	0															
Update rate	N/A															

18.11 to 18.30	Application menu 1 read-write integer															
Coding	Bit	SP	FI	DE	Txt	VM	DP	ND	RA	NC	NV	PT	US	RW	BU	PS
													1	1		
Range	-32768 to 32767															
Default	0															
Update rate	N/A															

18.31 to 18.50	Application menu 1 read-write bit															
Coding	Bit	SP	FI	DE	Txt	VM	DP	ND	RA	NC	NV	PT	US	RW	BU	PS
	1												1	1		
Range	OFF(0) or On(1)															
Default	OFF(0)															
Update rate	N/A															

## 10.17 Menu 20: Application menu 2

Table 10-30 Menu 20 parameters: single line descriptions

Parameter	Range	Default	Setting	Update Rate
20.00	Not used			
20.01	Not used			
20.02	Not used			
20.03	Not used			
20.04	Not used			
20.05	Not used			
20.06	Not used			
20.07	Not used			
20.08	Not used			
20.09	Not used			
20.10	Not used			
20.11	Not used			
20.12	Not used			
20.13	Not used			
20.14	Not used			
20.15	Not used			
20.16	Not used			
20.17	Not used			
20.18	Not used			
20.19	Not used			
20.20	Not used			
20.21	Application menu 2 read-write long integer	$-2^{31}$ to $2^{31}-1$	0	N/A
20.22	Application menu 2 read-write long integer	$-2^{31}$ to $2^{31}-1$	0	N/A
20.23	Application menu 2 read-write long integer	$-2^{31}$ to $2^{31}-1$	0	N/A
20.24	Application menu 2 read-write long integer	$-2^{31}$ to $2^{31}-1$	0	N/A
20.25	Application menu 2 read-write long integer	$-2^{31}$ to $2^{31}-1$	0	N/A
20.26	Application menu 2 read-write long integer	$-2^{31}$ to $2^{31}-1$	0	N/A
20.27	Application menu 2 read-write long integer	$-2^{31}$ to $2^{31}-1$	0	N/A
20.28	Application menu 2 read-write long integer	$-2^{31}$ to $2^{31}-1$	0	N/A
20.29	Application menu 2 read-write long integer	$-2^{31}$ to $2^{31}-1$	0	N/A
20.30	Application menu 2 read-write long integer	$-2^{31}$ to $2^{31}-1$	0	N/A

Menu 20 contains parameters that do not affect the operation of the drive. These general purpose parameters are **only** for use with fieldbus and drive user programming. The read-write parameters in this menu cannot be saved in the drive.

<b>20.00 to 20.20</b>	<b>Unused parameters</b>
-----------------------	--------------------------

<b>20.21 to 20.30</b>		<b>Application menu 2 read-write long integer</b>															
Coding	Bit	SP	FI	DE	Txt	VM	DP	ND	RA	NC	NV	PT	US	RW	BU	PS	
										1				1			
<b>Range</b>	$-2^{31}$ to $2^{31}-1$																
<b>Default</b>	0																
<b>Update rate</b>	N/A																

## 10.18 Menu 21: Second motor map

Table 10-31 Menu 21 parameters: single line descriptions

Parameter	Range	Default	Setting	Update Rate
21.01	Motor 2 maximum set speed	0.0 to 1500.0 Hz	50(Eur), 60(USA)	B
21.02	Motor 2 minimum set speed	0.0 to Pr 21.01	0.0	B
21.03	Motor 2 reference selector	A1.A2(0), A1.Pr(1), A2.Pr(2), Pr(3), PAd(4), Prc(5)	A1.A2(0)	5 ms
21.04	Motor 2 acceleration rate	0.0 to 3200.0 s/100 Hz	5.0	5 ms
21.05	Motor 2 deceleration rate	0.0 to 3200.0 s/100 Hz	10.0	5 ms
21.06	Motor 2 motor rated frequency	0.0 to 1500.0 Hz	50.0(Eur), 60.0(USA)	B
21.07	Motor 2 motor rated current	0 to RATED_CURRENT_MAX A	Drive rated current {Pr 11.32}	B
21.08	Motor 2 motor rated full load rpm	0 to 9999 rpm	1500(Eur), 1800(USA)	B
21.09	Motor 2 motor rated voltage	0 to AC_VOLTAGE_SET_MAX V	110V drive: 230 200V drive: 230 400V drive: 400(Eur) 460(USA) 575V drive: 575 690V drive: 690	128 ms
21.10	Motor 2 motor rated power factor	0.00 to 1.00	0.85	B
21.11	Motor 2 number of motor poles	Auto(0), 2P(1), 4P(2), 6P(3), 8P(4)	Auto(0)	B
21.12	Motor 2 stator resistance	0.000 to 65.000 $\Omega$	0.00	B
21.13	Motor 2 voltage offset	0.0 to 25.0 V	0.0	B
21.14	Motor 2 transient inductance ( $\sigma L_s$ )	0.00 to 320.00 mH	0.00	B
21.15	Motor 2 active	OFF(0) to On(1)	OFF(0)	B
21.16	Motor 2 thermal time constant	0 to 250	89	B
21.17	Not used			
21.18	Not used			
21.19	Not used			
21.20	Not used			
21.21	Not used			
21.22	Not used			
21.23	Not used			
21.24	Not used			
21.25	Not used			
21.26	Not used			
21.27	Not used			
21.28	Not used			
21.29	Motor 2 symmetrical current limit	0 to MOTOR2_CURRENT_LIMIT_MAX%	165.0	B

21.01	Motor 2 maximum set speed															
<b>Coding</b>	Bit	SP	FI	DE	Txt	VM	DP	ND	RA	NC	NV	PT	US	RW	BU	PS
							1						1	1	1	
<b>Range</b>	0.0 to 1500.0 Hz															
<b>Default</b>	Eur: 50.0 USA: 60.0															
<b>First motor parameter</b>	Pr 1.06															
<b>Update rate</b>	Background															

This parameter is a symmetrical limit on both directions of rotation.

Defines drive absolute maximum frequency reference. Slip compensation and current limit can increase the motor frequency further.

21.02	Motor 2 minimum set speed															
<b>Coding</b>	Bit	SP	FI	DE	Txt	VM	DP	ND	RA	NC	NV	PT	US	RW	BU	PS
						1	1						1	1	1	
<b>Range</b>	0.0 to 1500.0 Hz															
<b>Default</b>	0.0															
<b>First motor parameter</b>	Pr 1.07															
<b>Update rate</b>	Background															

Used in unipolar mode to define drive minimum set speed. This can be overridden if the maximum set speed clamp Pr 21.01 is adjusted to be less than Pr 21.02. Inactive during jogging.

21.03	Motor 2 reference selector															
<b>Coding</b>	Bit	SP	FI	DE	Txt	VM	DP	ND	RA	NC	NV	PT	US	RW	BU	PS
					1								1	1	1	
<b>Range</b>	A1.A2(0), A1.Pr(1), A2.Pr(2), Pr(3), PAd(4), Prc(5)															
<b>Default</b>	A1.A2(0)															
<b>First motor parameter</b>	Pr 1.14															
<b>Update rate</b>	5ms															

#### NOTE

When motor 2 selected (Pr 11.45 = On), the speed reference must be set correctly using Pr 21.03.

- 0: A1.A2 Analog reference 1 or 2 selected by terminal input
- 1: A1.Pr Analog reference 1 (current) or 3 Presets selected by terminal input
- 2: A2.Pr Analog reference 1 (voltage) or 3 Presets selected by terminal input
- 3: Pr 4 Preset speeds selected by terminal input
- 4: PAd Keypad reference selected
- 5: Prc Precision reference selected

#### With Eur defaults

Pr 21.03	Terminal B4 destination	Terminal B7 destination	Pr 1.49
A1.A2(0)	Pr 6.29	Pr 1.41	Selected by terminal input
A1.Pr(1)	Pr 1.45	Pr 1.46	1
A2.Pr(2)	Pr 1.45	Pr 1.46	2
Pr(3)	Pr 1.45	Pr 1.46	3
PAd(4)			4
Prc(5)			5

**With USA defaults**

Pr 1.14	Terminal B6 destination	Terminal B7 destination	Pr 1.49
A1.A2(0)	Pr 6.31	Pr 1.41	Selected by terminal input
A1.Pr(1)	Pr 1.45	Pr 1.46	1
A2.Pr(2)	Pr 1.45	Pr 1.46	2
Pr(3)	Pr 1.45	Pr 1.46	3
PAd(4)			4
Prc(5)			5

When this parameter is set to 0 the reference selected depends on the state of bit parameters Pr 1.41 to Pr 1.44. These bits are for control by digital inputs such that references can be selected by external control. If any of the bits are set, the appropriate reference is selected (indicated by Pr 1.49). If more than one bit is set the highest numbered will have priority.

In mode 1 and 2 a preset speed will be selected instead of the current or voltage selection if the preset selected is any preset speed other than preset speed 1. This gives the user the flexibility to be able to select between current and 3 presets, or voltage and 3 presets, with only two digital inputs.

Pr 1.41	Pr 1.42	Pr 1.43	Pr 1.44	Reference selected	Pr 1.49
0	0	0	0	Analog reference 1 (A1)	1
1	0	0	0	Analog reference 2 (A2)	2
X	1	0	0	Preset reference (Pr)	3
X	X	1	0	Keypad reference (PAd)	4
X	X	X	1	Precision reference (Prc)	5

**Keypad reference**

If Keypad reference is selected, the drive sequencer is controlled directly by the keypad keys and the keypad reference parameter (Pr 1.17) is selected. The sequencing bits, Pr 6.30 to Pr 6.34, have no effect and jog is disabled.

**NOTE**

There is no forward/ reverse button on the drives keypad. If a forward/ reverse is required in keypad mode, see Pr 11.27 for how to set this up.

**NOTE**

**For existing users of Commander SE:**

On Commander SE, Pr 21.03 (Pr 1.14) used to correspond to Pr 05.

On Commander SK, Pr 11.27 corresponds to Pr 05.

If Pr 05 or Pr 11.27 is used in a desired system set-up and then Pr 21.03 (Pr 1.14) is then used to change this set-up, although some of these set-ups for Pr 05 and Pr 21.03 (Pr 1.14) are the same, the displayed value showing the set-up of Pr 05 (AI.AV, AV.Pr etc.) will not change to the setting of Pr 21.03 (Pr 1.14).

21.04	Motor 2 acceleration rate															
Coding	Bit	SP	FI	DE	Txt	VM	DP	ND	RA	NC	NV	PT	US	RW	BU	PS
							1						1	1	1	
Range	0 to 3200.0s/100 Hz															
Default	5.0															
First motor parameter	Pr 2.11															
Update rate	5ms															

Defines the acceleration ramp for motor 2.

The acceleration ramp rate units can be change to s/10Hz or s/1000Hz, see Pr 2.39 on page 54 for details.

21.05	Motor 2 deceleration rate															
Coding	Bit	SP	FI	DE	Txt	VM	DP	ND	RA	NC	NV	PT	US	RW	BU	PS
							1						1	1	1	
Range	0 to 3200.0 s/100 Hz															
Default	10.0															
First motor parameter	Pr 2.21															
Update rate	5ms															

Defines the deceleration ramp for motor 2.

The deceleration ramp rate units can be change to s/10Hz or s/1000Hz, see Pr 2.21 on page 53 for details.

21.06	Motor 2 motor rated frequency															
<b>Coding</b>	Bit	SP	FI	DE	Txt	VM	DP	ND	RA	NC	NV	PT	US	RW	BU	PS
							1						1	1	1	
<b>Range</b>	0.0 to 1500.0 Hz															
<b>Default</b>	Eur: 50.0, USA 60.0															
<b>First motor parameter</b>	Pr 5.06															
<b>Update rate</b>	Background															

The motor rated frequency and the motor rated voltage (Pr 21.09) are used to define the voltage to frequency characteristic applied to the drive (see Pr 21.09). The motor rated frequency is also used in conjunction with the motor full load rpm to calculate the rated slip for slip compensation (see Pr 21.08 on page 191).

21.07	Motor 2 motor rated current															
<b>Coding</b>	Bit	SP	FI	DE	Txt	VM	DP	ND	RA	NC	NV	PT	US	RW	BU	PS
						1	2		1				1	1	1	
<b>Range</b>	0 to RATED_CURRENT_MAX A															
<b>Default</b>	Drive rated current (Pr 11.32)															
<b>First motor parameter</b>	Pr 5.07															
<b>Update rate</b>	Background															

The motor rated current should be set at the machine nameplate value for rated current.

This value is used in the following:

- Current limit, see Pr 21.29 on page 195
- Motor protection system, see Pr 21.16 on page 195
- Slip compensation, see Pr 21.08
- Vector mode voltage control, see Pr 21.09
- Dynamic V to f control, see Pr 5.13 on page 78

21.08	Motor 2 motor rated full load rpm															
<b>Coding</b>	Bit	SP	FI	DE	Txt	VM	DP	ND	RA	NC	NV	PT	US	RW	BU	PS
													1	1	1	
<b>Range</b>	0 to 9999 rpm															
<b>Default</b>	Eur: 1500, USA 1800															
<b>First motor parameter</b>	Pr 5.08															
<b>Update rate</b>	Background															

The rated full load rpm is used with the motor rated frequency and No. of motor poles to calculate the rated slip of the induction machine in Hz.

$$\text{Rated slip} = \text{Motor rated frequency} - (\text{No. of motor pole pairs} \times \text{Motor full load rpm} / 60) = \text{Pr 21.06} - [(\text{Pr 21.11} / 2) \times (\text{Pr 21.08} / 60)]$$

The rated slip is used to calculate the frequency adjustment required to compensate for slip from the following equation:

$$\text{Slip compensation} = \text{Rated slip} \times \text{Active current} / \text{Rated active current}$$

If slip compensation is required, Pr 5.27 must be set to On(1) and this parameter should be set to the nameplate value, which should give the correct rpm for a hot machine.

Sometimes it will be necessary to adjust this when the drive is commissioned because the nameplate value may be inaccurate. Slip compensation will operate correctly both below rated speed and within the field weakening region. Slip compensation is normally used to correct for the motor speed to prevent speed variation with load. The rated load rpm can be set higher than synchronous speed to deliberately introduce speed droop. This can be useful to aid load sharing with mechanically coupled motors.

**NOTE**

If Pr 21.08 is set to 0 or to synchronous speed, slip compensation is disabled.

**NOTE**

If the full load speed of the motor is above 9999rpm, slip compensation should be disabled. This is because a value above 9999 cannot be entered in Pr 21.08.

21.09		Motor 2 motor rated voltage														
Coding	Bit	SP	FI	DE	Txt	VM	DP	ND	RA	NC	NV	PT	US	RW	BU	PS
						1			1				1	1	1	
Range	0 to AC_VOLTAGE_SET_MAX V															
Default	110V rating drive: 230V 200V rating drive: 230V 400V rating drive: Eur: 400V, USA: 460V 575V rating drive: 575V 690V rating drive: 690V															
First motor parameter	Pr 5.09															
Update rate	128ms															

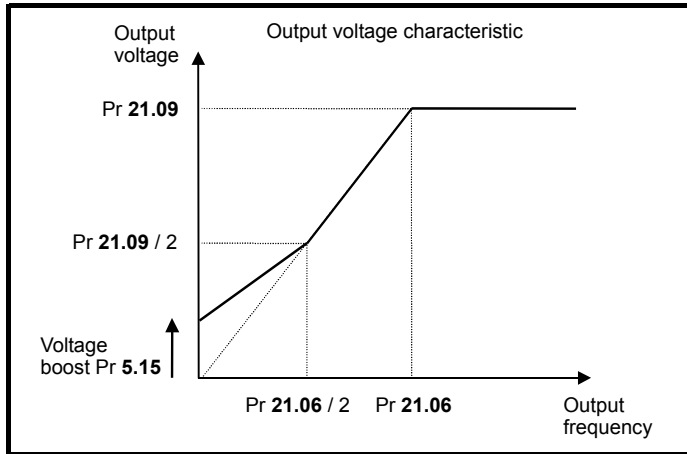
The rated voltage is used in conjunction with the motor rated frequency (Pr 21.06) to define the voltage to frequency characteristic applied to the motor. The following operating methods selected by Pr 5.14 are used to define the drive frequency to voltage characteristic.

**Open-loop vector mode: Ur S, Ur A, Ur or Ur I**

A linear characteristic is used from 0Hz to rated frequency, and then a constant voltage above rated frequency. When the drive operates between rated frequency/50 and rated frequency/4, full vector based stator resistance (Rs) compensation is applied. However there is a delay of 0.5s when the drive is enabled during which only partial vector based compensation is applied to allow the machine flux to build up. When the drive operates between rated frequency/4 and rated frequency/2 the Rs compensation is gradually reduced to zero as the frequency increases. For the vector modes to operate correctly the stator resistance (Pr 21.12), motor rated power factor (Pr 21.10) and voltage offset (Pr 21.13) are all required to be set-up accurately.

**Fixed boost mode: Fd**

A linear characteristic is used from 0Hz to rated frequency, and then constant voltage above rated frequency. Low frequency voltage boost as defined by Pr 5.15 is applied as shown below.

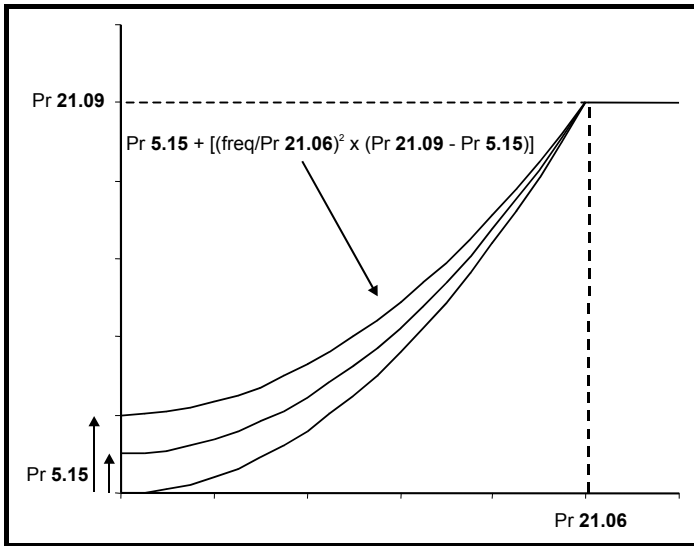


**Square law mode: SrE**

A square law characteristic is used from 0Hz to rated frequency, and then constant voltage above rated frequency. Low frequency voltage boost



raises the start point of the square law characteristic as shown below.



<b>21.10</b>	<b>Motor 2 motor rated power factor</b>															
<b>Coding</b>	Bit	SP	FI	DE	Txt	VM	DP	ND	RA	NC	NV	PT	US	RW	BU	PS
							2		1				1	1	1	
<b>Range</b>	0.00 to 1.00															
<b>Default</b>	0.85															
<b>First motor parameter</b>	Pr 5.10															
<b>Update rate</b>	Background															

The power factor is the true power factor of the motor, i.e. the angle between the motor voltage and current. The power factor is used in conjunction with the motor rated current (Pr 21.07) to calculate the rated active current and magnetising current of the motor. The rated active current is used extensively to control the drive, and the magnetising current is used in vector mode Rs compensation. It is important that this parameter is set up correctly.

**NOTE**

Pr 21.10 should be set to the motor power factor before an autotune is carried out.

<b>21.11</b>	<b>Motor 2 number of motor poles</b>															
<b>Coding</b>	Bit	SP	FI	DE	Txt	VM	DP	ND	RA	NC	NV	PT	US	RW	BU	PS
					1								1	1	1	
<b>Range</b>	Auto(0), 2P(1), 4P(2), 6P(3), 8P(4)															
<b>Default</b>	Auto(0)															
<b>First motor parameter</b>	Pr 5.11															
<b>Update rate</b>	Background															

<b>Poles by text (value on display)</b>	<b>Pole pairs (value through serial comms)</b>
Auto	0
2P	1
4P	2
6P	3
8P	4

This parameter is used in the calculation of motor speed and in applying the correct slip compensation. When auto is selected the number of motor poles is automatically calculated from the rated frequency (Pr 21.06) and the rated load rpm (Pr 21.08).

**The number of poles = 120 x rated frequency / rpm rounded to the nearest even number.**

21.12	Motor 2 stator resistance															
Coding	Bit	SP	FI	DE	Txt	VM	DP	ND	RA	NC	NV	PT	US	RW	BU	PS
							3		1				1	1	1	
Range	0.000 to 65.000 Ω															
Default	0.000															
First motor parameter	Pr 5.17															
Update rate	Background															

This parameter contains the stator resistance of the machine for open loop vector mode operation.

If the drive cannot achieve the necessary current levels to measure the stator resistance during an auto-tune (e.g. there is no motor connected to the drive) an rS trip will occur and the value in Pr 21.12 remains unchanged. If the necessary current levels can be achieved but the calculated resistance exceeds the maximum allowable value for that particular drive size, an rS trip will occur and Pr 21.12 will contain the maximum allowable value.

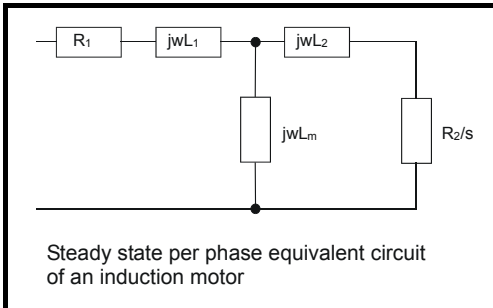
21.13	Motor 2 voltage offset															
Coding	Bit	SP	FI	DE	Txt	VM	DP	ND	RA	NC	NV	PT	US	RW	BU	PS
							1		1				1	1	1	
Range	0.0 to 25.0 V															
Default	0.0															
First motor parameter	Pr 5.23															
Update rate	Background															

Due to various effects in the drive inverter a voltage offset must be produced before any current flows. To obtain good performance at low frequencies where the machine terminal voltage is small this offset must be taken into account. The value shown in Pr 21.13 is this offset given in line to line rms volts. It is not possible for the user to measure this voltage easily, and so the automatic measurement procedure should be used (see Pr 5.14 on page 79).

21.14	Motor 2 transient inductance ( $\sigma L_s$ )															
Coding	Bit	SP	FI	DE	Txt	VM	DP	ND	RA	NC	NV	PT	US	RW	BU	PS
							2		1			1	1		1	
Range	0.00 to 320.00 mH															
Default	0.00															
First motor parameter	Pr 5.24															
Update rate	Background															

With reference to the following diagram, the transient inductance is defined as

$$\sigma L_s = L_1 + (L_2 \cdot L_m / (L_2 + L_m))$$



Based on the parameters normally used for the motor equivalent circuit for transient analysis, i.e.  $L_s = L_1 + L_m$ ,  $L_r = L_2 + L_m$ , the transient inductance is given by:

$$\sigma L_s = L_s - (L_m^2 / L_r)$$

The transient inductance is used as an intermediate variable to calculate the power factor.

<b>21.15</b>	<b>Motor 2 active</b>																																
<b>Coding</b>	<table border="1" style="width:100%; border-collapse: collapse;"> <tr> <th>Bit</th><th>SP</th><th>FI</th><th>DE</th><th>Txt</th><th>VM</th><th>DP</th><th>ND</th><th>RA</th><th>NC</th><th>NV</th><th>PT</th><th>US</th><th>RW</th><th>BU</th><th>PS</th> </tr> <tr> <td>1</td><td></td><td></td><td></td><td></td><td></td><td></td><td>1</td><td></td><td>1</td><td></td><td>1</td><td></td><td></td><td></td><td></td> </tr> </table>	Bit	SP	FI	DE	Txt	VM	DP	ND	RA	NC	NV	PT	US	RW	BU	PS	1							1		1		1				
Bit	SP	FI	DE	Txt	VM	DP	ND	RA	NC	NV	PT	US	RW	BU	PS																		
1							1		1		1																						
<b>Range</b>	OFF(0) or On(1)																																
<b>Default</b>	OFF(0)																																
<b>Update rate</b>	Background																																

When this parameter is set to On(1), it signifies that motor map 2 is active.

This parameter can be programmed to a digital output to give a signal to an external circuit to close a second motor contactor when motor map 2 becomes active.

<b>21.16</b>	<b>Motor 2 thermal time constant</b>																																
<b>Coding</b>	<table border="1" style="width:100%; border-collapse: collapse;"> <tr> <th>Bit</th><th>SP</th><th>FI</th><th>DE</th><th>Txt</th><th>VM</th><th>DP</th><th>ND</th><th>RA</th><th>NC</th><th>NV</th><th>PT</th><th>US</th><th>RW</th><th>BU</th><th>PS</th> </tr> <tr> <td></td><td></td><td></td><td></td><td></td><td></td><td></td><td></td><td></td><td></td><td></td><td></td><td>1</td><td>1</td><td>1</td><td></td> </tr> </table>	Bit	SP	FI	DE	Txt	VM	DP	ND	RA	NC	NV	PT	US	RW	BU	PS													1	1	1	
Bit	SP	FI	DE	Txt	VM	DP	ND	RA	NC	NV	PT	US	RW	BU	PS																		
												1	1	1																			
<b>Range</b>	0 to 250 s																																
<b>Default</b>	89																																
<b>First motor parameter</b>	Pr 4.15																																
<b>Update rate</b>	Background																																

Pr 21.16 works in conjunction with Pr 4.16 and Pr 4.25. The motor protection modes set-up by Pr 4.16 and Pr 4.25 for motor 1 will be used for motor 2 but the thermal time constant for motor 2 will be defined in Pr 21.16.

See Pr 4.16 on page 68 and Pr 4.25 on page 71 for further details.

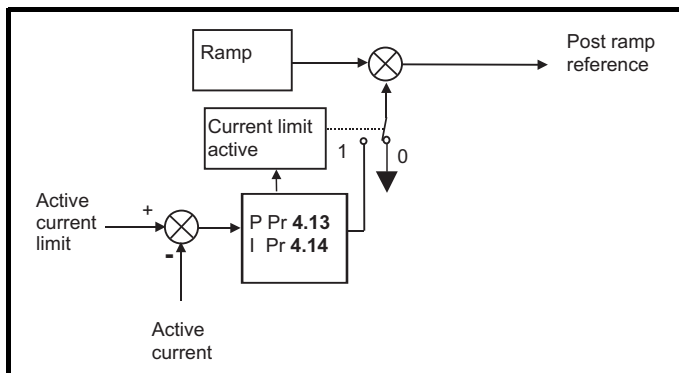
<b>21.17 to 21.28</b>	<b>Unused parameters</b>
-----------------------	--------------------------

<b>21.29</b>	<b>Motor 2 symmetrical current limit</b>																																
<b>Coding</b>	<table border="1" style="width:100%; border-collapse: collapse;"> <tr> <th>Bit</th><th>SP</th><th>FI</th><th>DE</th><th>Txt</th><th>VM</th><th>DP</th><th>ND</th><th>RA</th><th>NC</th><th>NV</th><th>PT</th><th>US</th><th>RW</th><th>BU</th><th>PS</th> </tr> <tr> <td></td><td></td><td></td><td></td><td></td><td>1</td><td>1</td><td></td><td>1</td><td></td><td></td><td></td><td>1</td><td>1</td><td>1</td><td></td> </tr> </table>	Bit	SP	FI	DE	Txt	VM	DP	ND	RA	NC	NV	PT	US	RW	BU	PS						1	1		1				1	1	1	
Bit	SP	FI	DE	Txt	VM	DP	ND	RA	NC	NV	PT	US	RW	BU	PS																		
					1	1		1				1	1	1																			
<b>Range</b>	0 to MOTOR2_CURRENT_LIMIT_MAX %																																
<b>Default</b>	165.0																																
<b>First motor parameter</b>	Pr 4.07																																
<b>Update rate</b>	Background																																

This parameter defines the current limit as a percentage of the rated active current. When the motor rated current is set lower than the drive rated current, the maximum value of this parameter increases to allow larger overloads.

Therefore, by setting the motor rated current to a lower value than the drive rated current, it is possible to have a current limit greater than 165%. An absolute maximum current limit of 999.9% is applied.

In frequency control mode (Pr 4.11 = OFF), the drive output frequency is modified if necessary to keep the active current within the current limits as shown in the following diagram:



The active current limit is compared with the active current and if the current exceeds the limit the error value passes through the PI controller to give a frequency component which is used to modify the ramp output. The direction of the modification is always to reduce the frequency to zero if the active current is motoring, or to increase the frequency towards the maximum if the current is regenerating. Even when the current limit is active the ramp still operates, therefore the proportional and integral gains (Pr 4.13 and Pr 4.14) must be high enough to counter the effects of the ramp. For method of setting the gains see Pr 4.13 and Pr 4.14 on page 67.

In torque control mode the current demand is limited by the active current limit. For operation of this mode see Pr 4.11 on page 66.

---

# Index

---

## Numerics

32 bit parameters .....7, 9

## A

Acceleration rate ..... 27, 30, 51, 52, 190  
Acoustic noise ..... 80  
Active current .....63, 65, 66, 70, 77, 193, 195  
Alarm warnings ..... 134  
Analog 6, 9, 27, 30, 31, 33, 39, 40, 41, 44, 66, 103, 132, 141,  
..... 177, 180, 189, 190  
Analog I/O ..... 33  
Auto-reset ..... 136  
Autotune ..... 27, 30, 64, 77, 78, 80, 193, 194

## B

Background task ..... 9  
Binary sum ..... 33  
Bipolar ..... 39, 124, 181  
Bit parameters .....7, 9  
Boot mode ..... 148  
Brake ..... 27, 30, 161, 163  
Braking resistor ..... 50, 132, 134, 135, 137

## C

Catch a spinning motor ..... 27, 30, 91  
Clock ..... 33  
Constant power operation ..... 65  
Controller ..... 68  
Copying ..... 27, 148  
CT Comms cable ..... 12, 13, 14  
CTSoft ..... 4, 12  
Current controller ..... 27, 67  
Current feedback ..... 27, 63, 66  
Current limit controller ..... 49  
Current limits 6, 27, 38, 64, 65, 67, 75, 117, 130, 134, 191, 195  
Current loop loss ..... 105, 107, 177, 181  
Current output ..... 107

## D

Data skew ..... 42  
DC Bus ..... 6, 31, 49, 50, 51, 67  
DC Bus controller ..... 68  
DC Bus voltage ..... 27, 74, 88, 89, 130, 132, 134, 136  
DC Bus voltage controller ..... 49  
DC injection braking ..... 11, 27, 90, 96  
Deadtime compensation ..... 81  
Deceleration rate ..... 27, 30, 49, 50, 53, 190  
Default .... 5, 8, 9, 27, 30, 40, 78, 79, 132, 133, 140, 141, 149  
Delay ..... 96, 122, 123, 163, 192  
Derivative gain ..... 168  
Differential gain ..... 167  
Digital ..... 9, 27, 30, 33  
Digital I/O ..... 33  
Display indications ..... 134  
Drive ..... 140  
Drive cooling fan ..... 104  
Drive ok ..... 129  
Drive rated current ..... 6, 66, 195  
Drive reset ..... 7  
Drive set-up - general ..... 33  
Drive voltage rating ..... 147  
Drives losses ..... 80  
Dynamic brake ..... 130, 131  
Dynamic V to f ..... 27, 30, 75, 78, 191

## E

EEPROM ..... 5, 7, 8, 77, 79, 132, 133, 134, 148, 149  
Enable ..... 27  
Encoder lines per revolution ..... 183  
Encoder position ..... 183, 184  
Encoder reference ..... 183  
Encoder reference destination ..... 184  
Encoder reference level ..... 184  
Encoder reset ..... 184  
Encoder revolution counter ..... 183, 184  
Encoder speed feedback ..... 183  
External trip ..... 27, 114, 132, 136, 178

## F

Fan ..... 68, 100, 104, 134, 141  
Fan speed ..... 27  
Field ..... 65  
Field weakening ..... 67, 75, 191  
Fixed boost ..... 79, 91, 192  
Flux ..... 79  
Frequency / speed reference ..... 33  
Frequency control ..... 63, 66, 195  
Frequency input ..... 27, 116, 117  
Frequency output ..... 27, 58, 107, 116

## H

Hard frequency reference ..... 59  
Hard speed reference ..... 27  
Heatsink ..... 80  
Heatsink temperature ..... 100, 103, 108, 131  
HF trips ..... 134  
High inertia load ..... 75

<b>I</b>		<b>P</b>	
IGBT junction temperature .....	80, 82, 108, 131	Parameter copying .....	30, 148
Input rectifier .....	108	Percentage load .....	6, 70
Integral gain .....	66, 67, 167, 168, 195	Phase loss .....	132, 133
<b>J</b>		PID controller .....	28, 33
Jog .....	38, 40, 52, 53, 89, 95, 96, 97, 99	PLC .....	31, 132, 150
Jog reference .....	28, 30, 38, 96	Position counter .....	59
<b>K</b>		Positive logic .....	114
Keypad control .....	96	Power .....	6, 74, 107, 135
Keypad mode .....	10, 41, 92, 93, 190	Power factor .....	91
Keypad reference .....	28, 39, 40, 41, 42, 44, 96, 189, 190	Power output .....	107
Keypad remote .....	13	Precision reference .....	28, 39, 40, 41, 42, 44, 189, 190
<b>L</b>		Preset reference .....	44
Latches .....	96, 97, 99	Preset speeds .....	28, 30, 40, 41, 43, 52, 53, 141, 189
LCD keypad .....	93	Programmable logic .....	33
Load output .....	107	Proportional gain .....	67, 167, 168
Load sharing .....	75, 191	Protected .....	9
LogicStick .....	4, 24, 148, 150	Pulse deletion .....	81
Losses .....	50	Pulse Width Modulation .....	4
Low DC Bus operation .....	28, 91	Pump .....	141
<b>M</b>		PWM output .....	28, 116
Machine flux .....	76, 192	<b>R</b>	
Magnetising current .....	64, 65, 70, 77, 91, 193	Ramp .....	5, 33
Mains loss .....	11, 28, 67, 88, 89, 130	Ramp hold .....	49
Motor .....	4	Ramp mode .....	28, 30, 49
Motor control .....	33	Read only .....	7
Motor current .....	64	Read/write .....	7
Motor full load rpm .....	191	Real time clock .....	179, 180, 182
Motor poles .....	74, 75, 77, 191, 193	Regenerating .....	28, 65, 66, 67, 70, 130, 195
Motor power factor .....	30	Regulation .....	67
Motor rated current .....	30, 64, 75, 77, 131, 191, 193	Relay .....	116, 177, 178
Motor rated frequency .....	5, 30, 71, 75, 76, 191, 192	Relay output .....	28
Motor rated full load rpm .....	5, 75, 191	Reset .....	7, 10, 28, 136
Motor rated power factor .....	64, 76, 77, 192, 193	Resolution .....	42
Motor rated speed .....	30	RJ45 connector .....	13
Motor rated voltage .....	5, 30, 76, 81, 191, 192		
Motor thermal protection .....	68, 150		
Motor thermistor .....	114, 116, 117, 132		
Motor voltage .....	4		
Motoring .....	65, 66, 70		
Motorised pot .....	33		
Multi-drop converters .....	13		
<b>N</b>			
Non-bit parameters .....	7, 9		
<b>O</b>			
Output frequency .....	11, 51, 63, 66, 67, 74, 81, 91, 116, 195		
Output voltage .....	6, 65		
Over modulation .....	81		
Over modulation enable .....	28		
Overload .....	64, 66, 69, 131, 132, 134, 137, 195		

## S

S ramp .....	28, 50
Safety Information .....	33
Second motor parameters .....	33
Security code .....	28
Sequencer .....	33
Slave frequency .....	33
Slew rate .....	167
Slip compensation .....	28, 38, 42, 74, 77, 82, 191, 193
SmartStick .....	4, 8, 9, 132, 148, 149, 151
SM-Keypad Plus .....	13
Software version .....	28, 30, 146, 177
Speed control .....	33
Speed droop .....	191
Speed feedback .....	33
Square law .....	76, 79, 91, 192
Square law mode .....	76, 192
Standard ramp .....	67
Standard ramp voltage .....	49, 51
Stator flux .....	64, 65
Stator resistance .....	76, 78, 80, 91, 132, 192, 194
Status .....	33
Status relay .....	114
Stop mode .....	30
Storing drive parameters .....	7
Switching frequency .....	28, 30, 80, 82, 131
Synchronous speed .....	75
SYPTLite .....	24

## T

T-Bar connector/splitter .....	15
Temperature .....	80
Terminating resistors .....	13, 14
Thermal model .....	131, 132, 137
Thermistor input .....	28, 116
Threshold detectors .....	33
Torque .....	65, 66, 163
Torque control .....	63, 65, 66, 67, 141, 195
Torque mode .....	28, 66, 67, 145
Torque producing current .....	6, 65, 71
Torque reference .....	6, 66
Transient inductance .....	78, 81, 194
Trip indications .....	132
Trips .....	33

## U

Unipolar .....	39
Update rate .....	8, 9
User PID controller .....	33

## V

Variable selectors .....	33
Vector mode .....	28, 65, 75, 76, 78, 80, 191, 192, 194
Voltage mode .....	29, 30, 79
Voltage offset .....	76, 78, 79, 81, 192, 194

## W

Watchdog .....	100, 133, 134
----------------	---------------

## Z

Zero speed .....	129
------------------	-----





**0472-0001-08**